



GAS COOKERS

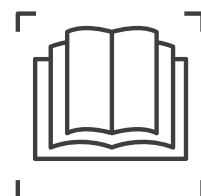
INSTRUCTION FOR INSTALLATION AND USE  
DIE GEBRAUCHS UND INSTALLATIONSANWEISUNG  
NOTICE D'INSTALLATION ET D'EMPLOI  
NÁVOD K OBSLUZE A INSTALACI  
UPUTSTVO ZA INSTALACIJU I UPOTREBU  
GHID DE INSTALARE SI UTILIZARE  
ИНСТРУКЦИИ ПО ИСПОЛЬЗОВАНИЮ И УСТАНОВКЕ



SPT 780-11 GE, SPT 780-21 G, SPT 780-21 GE, SPT 7120-21 G, SPT 7120-21 GE,  
SPT 7120-31 G, SPT 7120-31 GE

CE  
1015-22

[www.rmgastro.com](http://www.rmgastro.com)





## CONTENT

Declaration of a standards conformity	3
Instruction for use	12
Cleaning and maintenance	14

## INHALT



Die Normenübereinstimmungsdeklaration	15
Gebrauchsanweisung	24
Die Reinigung und Instandhaltung	26

## CONTENU



Déclaration de conformité	27
Mode d'emploi	36
Nettoyage et entretien	38

## OBSAH



Prohlášení o souladu s normami	47
Návod k použití	57
Čistění a údržba	60

## SADRŽAJ



Izjava o saglasnosti Sa normama	69
Uputstvo za upotrebu	78
Čišćenje i održavanje	81

## CONȚINUT



Declarație de conformitate cu regulile	90
Ghid de utilizare	97
Curățare și mentenanță	100

## СОДЕРЖАНИЕ



Декларация о соответствии стандартам	108
Руководство по эксплуатации	113
Очистка и техническое обслуживание	---

## DECLARATION OF A STANDARDS CONFORMITY

The producer confirms that the devices agree with 2016/426/EU, 2014/30/EU, 2014/35/EU standards, rule nr. 22/1997 sb., nr. 258/2000 sb., nr. 258/200 sb., nr. 118/2016 sb., 117/2016 sb. and with relevant government orders. Installation must be done with respect to valid standards. Attention, the producer refuses any responsibility in case of direct or indirect damages which are caused due to wrong installation, incorrect intervention or modification, insufficient maintenance, incorrect use and also possibly caused by other reasons presented by items in sale conditions. This appliance is set only for skilled use and must be operated by qualified persons only. Parts set and secured by the producer or accredited person must not be rebuilt by user.

## TECHNICAL DATA

Label with technical data is placed on the back side of the device. Study the electrical diagram of connection and all following information before installation.

MODEL	VOLTAGE (V/Hz)	BURNERS	OVEN (kW)	DIMENSIONS (cm)
SPT-780-21 GE	400/3N/50	3x 7,5 kW + 1x 4,5 kW	6,3	80x73x90 h
SPT-780-21 G	-	3x 7,5kW + 1x 4,5 kW	6 (gas)	80x73x90 h
SPT-780-11 GE	230/50	3x 7,5kW + 1x 4,5 kW	3,13 (convection)	80x73x90 h
SPT-7120-21 GE	400/3N/50	4x 7,5kW + 2x 4,5 kW	6,3	120x73x90 h
SPT-7120-21 G	-	4x 7,5kW + 2x 4,5 kW	6 (gas)	120x73x90 h
SPT-7120-31 GE	400/3N/50	4x 7,5kW + 2x 4,5 kW	8,7	120x73x90 h
SPT-7120-31 G	-	4x 7,5kW + 2x 4,5 kW	10,5 (gas)	120x73x90 h
Diameter of pots				
4,5 kW - min. 14 cm; max. 38 cm 7,5 kW - min. 14 cm; max. 50 cm				

Data	Type of gas						
	<b>G30 28-30 mbar</b>	<b>G30 37 mbar</b>	<b>G30 50 mbar</b>	<b>G20 20 mbar</b>	<b>G25 25 mbar</b>	<b>G25 20 mbar</b>	<b>G20 25 mbar</b>
<b>Burner 7,5 kW</b>							
Main burner diameter 1/100mm	135	125	120	205	215	225	190
Air kontrol _settings (mm)	open	open	10	3	3	3	3
Gas Consumption	0,591 kg/h	0,591 kg/h	0,591 kg/h	0,794 m <sup>3</sup> /h	0,923 m <sup>3</sup> /h	0,923 m <sup>3</sup> /h	0,794 m <sup>3</sup> /h
<b>Burner 4,5 kW</b>							
Main burner diameter 1/100mm	105	100	90	150	160	170	145
Air kontrol _settings (mm)	open	open	6	6	6	6	6
Gas Consumption	0,355 kg/h	0,355 kg/h	0,355 kg/h	0,476 m <sup>3</sup> /h	0,554 m <sup>3</sup> /h	0,554 m <sup>3</sup> /h	0,476 m <sup>3</sup> /h
<b>Pilot burner</b>							
diameter 1/100mm	20	20	20	40	40	40	40
<b>Burner 6 kW oven</b>							
Main burner diameter 1/100mm	125	115	110	180	195	205	175
Air kontrol _settings (mm)	13	13	13	13	13	13	13
Gas Consumption	0,473 kg/h	0,473 kg/h	0,473 kg/h	0,635 m <sup>3</sup> /h	0,738 m <sup>3</sup> /h	0,738 m <sup>3</sup> /h	0,635 m <sup>3</sup> /h
<b>Pilot burner OVEN</b>							
diameter 1/100mm	19	19	19	36	36	36	36

Data	Type of gas					
	<b>G25.1 25 mbar</b>	<b>G2.350 13 mbar</b>	<b>G27 20 mbar</b>	<b>G31 30-37 mbar</b>	<b>G31 37 mbar</b>	<b>G31 50 mbar</b>
<b>Burner 7,5 kW</b>						
Main burner diameter 1/100mm	220	290	230	135	125	120
Air kontrol _settings (mm)	3	3	3	3	3	3
Gas Consumption	0,922 m <sup>3</sup> /h	1,102 m <sup>3</sup> /h	0,968 m <sup>3</sup> /h	0,583 kg/h	0,583 kg/h	0,583 kg/h
<b>Burner 4,5 kW</b>						
Main burner diameter 1/100mm	165	215	175	105	100	90
Air kontrol _settings (mm)	6	6	6	6	6	6
Gas Consumption	0,553 m <sup>3</sup> /h	0,661 m <sup>3</sup> /h	0,581 m <sup>3</sup> /h	0,350 kg/h	0,350 kg/h	0,350 kg/h
<b>Pilot burner</b>						
diameter 1/100mm	40	40	40	20	20	20
<b>Burner 6 kW oven</b>						
Main burner diameter 1/100mm	195	260	205	125	115	110
Air kontrol _settings (mm)	13	13	13	13	13	13
Gas Consumption	0,737 m <sup>3</sup> /h	0,882 m <sup>3</sup> /h	0,774 m <sup>3</sup> /h	0,466 kg/h	0,466 kg/h	0,466 kg/h
<b>Pilot burner</b>						
diameter 1/100mm	36	36	36	13	13	13

## **PACKING AND DEVICE CHECK**

The device leaves our stocks properly packed with appropriate symbols and labels. There are also appropriate instructions for use. In case the packing shows bad handling or damage, it must be reclaimed at transporter immediately by writing and signing of a damage protocol.

Important notice:

-This product is only intended for use inside.

Never use the appliance if it has a damaged supply cable or plug, if it is not working correctly, has fallen to the ground and been damaged or fallen into water. In such cases take the appliance to a professional service in order to verify that it is safe and works correctly.

- only for professional use
- this instructing guide must be read properly and carefully because it contains important information about safety elements, installation, use
- these recommendations refer to this product
- this product corresponds with valid standards
- this guide must be properly deposited for future use
- keep the children away from manipulation with the product
- when selling or moving the product to another place it is necessary to make yourself sure that the staff or the professional service has got acquainted with control and installation instructions from enclosed guide
- only authorised person can operate the product
- it can not be switched on without supervision
- we recommend to have the product checked by professional service min. once a year

## **PLACEMENT**

The device must be installed in well ventilated room what is necessary for regulation of the function of the device (technician must go by valid standard (EN....)). If the device is situated close to the wall or if it is in contact with the furniture walls, these walls must resist the temperatures ranging to 90°C. Installation, setting, putting into operation must be done by qualified person who is competent for this and according to the valid standards.

Wrap up the device and check whether it was not damaged during transport. Settle the device on horizontal surface (max imbalance 2°). Settle the device under the fumehood to eliminate water steam and bad smell. The device can be installed separately or in a set with devices of our production. Min. distance 10 cm from other subjects must be kept. It is also necessary to prevent our product from contact with combustible materials. In this case you must make corresponding changes to secure heat isolation of combustible parts. Safety measures from the standpoint of the fire protection according to EN 061008čl. 21:

# TECHNICAL INSTRUCTIONS FOR INSTALATION AND REGULATION

## Important:

The manufacturer does not provide warranty for defects caused by improper use, failure to instructions contained in the attached instructions for use and mistreatment of the appliances.

Installation, adjustment and repair of appliances for kitchens, as well as their removal because of possible damage to the gas can be carried out only under a maintenance contract, this contract may be signed with an authorized dealer, and must be complied with regulations and technical standards and regulations regarding the installation, power supply, gas connection and health & safety system.

These instructions are intended for the qualified technician who must perform the installation, put it into operation and test the appliance.

Any activity as settings, placement, rebalancing etc, must be made only when is device disconnected from electricity. If it is necessary to have the device connected to the electricity you must keep the highest attention to avoid any injuries.

## DEVICE INSTALATION

Instalation, setting, rebuilding for another gas type, putting into operation must be done by qualifi ed person whois competent for this and according to the valid standards. The device can be instalated in good ventilated room. When it is possible place the device under the fumehood to suck off the products of combustion. Air needy to the burning is 2m<sup>3</sup>/h/kW ot the performance of the instaled device. The device can be instalated separately or in a set with devices of our production. Min. distance 10 cm from other subjects must be kept.It is also necessary to prevent our product from contact with combustible materials. In this case you must make corresponding changes to secure heat izolation of combustible parts (for example:place between the device and combustible material azbestos plate).

## PIPE FOR GAS CONNECTION

It must first determine if the appliance is made for the same type of gas that will be used and thus conforms to the indications on the label the type of gas to be used.

The conversion of gas pan to another type of gas you need to check if it corresponds to the type of gas bearing, which is recommended in this guide.

Connecting the appliance to the gas distribution must be towable to a steel or copper tube complying with applicable national requirements. This must be controlled on regular basis and changed if needed. Every appliance must be equipped with shut-off valve and quick shut-off valve. Quick shut-off valve must be freely accessible and within reach of the device. After installation, is necessary to check whether there is a gas leak. To find a gas leak you can use soapy water or spray for gas leak detection.

Do not use corrosive substances!! All our appliances are carefully controlled. Gas type, pressure and of the categories listed named on the technical information plate.

## Liquid gas connection:

Pressure for liquid gas connection must be 28 or 30 mbar for propane/butane and 37 mbar for propane. It is necessary to check the technical label ,gauge the pressure and check the parameters of the nozzle is installed with the required parameters of the nozzle according to the manufacturer's. If the pressure is lower than 25mbar or higher than 37 mbar, THE APPLIANCE SHALL NOT TO BE CONNECTED.

## Gas Connection:

Pressure for methane connection must be 18 or 20 mbar. It is necessary to check the technical label ,gauge the pressure and check the parameters of the nozzle is installed with the required parameters of the nozzle according to the manufacturer's. If the gas pressure is lower than 15mbar or higher than 22,5 mbar, THE APPLIANCE SHALL NOT TO BE CONNECTED.

# SAFETY MEASURES FROM THE STANDPOINT OF THE FIRE PROTECTION ACCORDING TO EN 061008 ČL. 21

- only adults can operate the device
- device must be safely used in common surroundings according to EN 332000-4-462; EN 332000-4-42. You must switch the gas device off under the circumstances leading to the danger of the temporary rise of the combustion gas or steam or during works when there is a big possibility of rise of the temporary fire danger or explosion (for example: to stick linoleum, PVC etc.).
- before you start to instal the device you must get the licence for connection to the gas feeder from the gasworks
- device must be placed so as to stand or hang on the noncombustible surface which is on each side 10 cm larger than the device. No subjects from combustible materials can be placed directly on the device or in distance which is shorter than safety distance (the shortest distance is 50 cm in the direction of the heat emission and 10 cm in other directions).- safety distances from various materials of different degree of combustion and information about the degree of comb. of common building materials - see chart:

## Chart:

Combustion degree of building materials classified according to the combustion degree of materials and products (EN 730823)

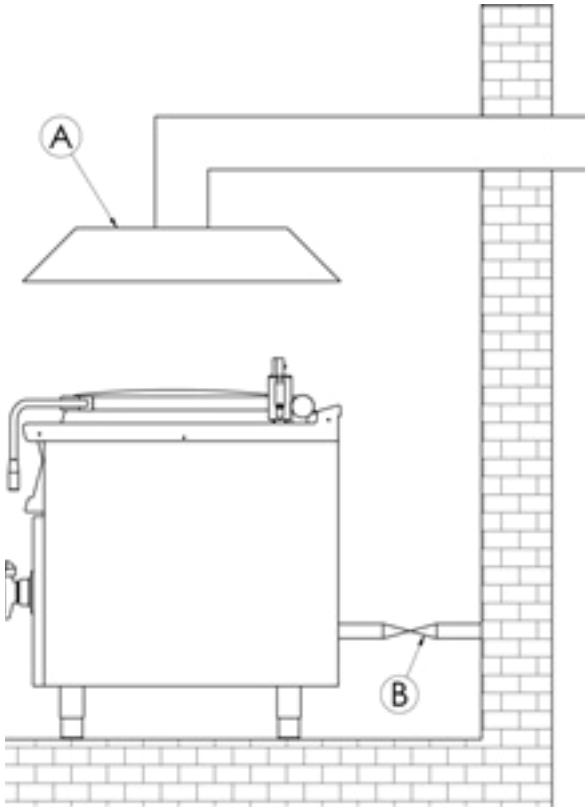
A noncombustible	granit, sandstone, concretes,bricks, ceramic wallfacing tiles, plaster
B uneasily combustible	akumine, heraklite, lihnos, itavere
C1 hardly combustible	leafy wood, plywood, sirkoklit, rare paper formica
C2 middle combustible	fibreboards, solodure, cork boards, rubber,floor-coverings
C3 easily combustible	wood-fibreboards, polystyrene,polyurethane, PVC

Devices must be instalated in a safe way. When instaling you must respect corresponding project, safety and hygienic orders according to:

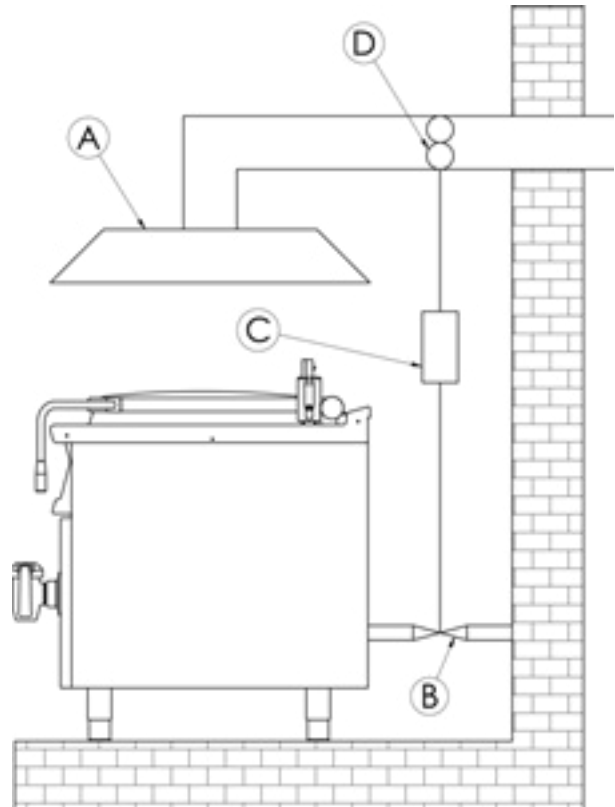
- EN 061008 fire protection of local devices and sources of heat
- EN 332000 (33 2000-4-482; 33 2000-4-42) surrounding for electric devices ČSN EN 1775 Gas supplying
- Gas fi ttings in the buildings - the highest operational pressure < 5 bar - operation demands
- § 10 law nr. 185/2001 Sb. about waste

# CHIMNEY DESIGN FOR AN APPLIANCE –TYPE A

## NATURAL EXTRACTION



## FORCED EXTRACTION



Outlet hood with natural extraction (A). Flue gas provides a natural chimney draft.

Outlet hood without natural extraction. Flue gas is secured by a fan (D) (forced extraction). In this case, it is necessary to secure the connection with a gas feeder (B) to turn off the gas supply in case of failure.



## CHECK THE GAS TYPE THE DEVICE IS ADJUSTED FOR

Our appliances are certified and regulated for natural gas (see technical plate). Conversion or adaptation to a different type of gas must be performed by authorized personnel. Nozzles for different types of gas are in a bag provided with the gas cooker and are marked in hundredths of mm (table of technical data pipes).

### Nozzle replacement and pressure adjustment

Proceed as follows when replacing the main burner nozzle:

- 1) remove the control buttons from the front panel (fig.1, note 1)
- 2) disassemble the front panel (fig.1, note 2)
- 3) we recommend you also disassemble the rear panel (if possible) for easier access (fig.1, note 3)
- 4) According to picture (fig. 2) unscrew the nozzle from the main burner and replace with nozzles according to table „TECHNICAL DATA“
- 5) Adjust the air intake for the relevant gas according to table „TECHNICAL DATA“

Adjust the pilot burner by loosening the safety nut (pct.3, note 1) with a spanner, then unscrew the pilot burner nozzle xxx with the spring xxx and replace with a nozzle for the relevant gas according to the table. Tighten the nozzle cover with a spanner and adjust “economy” mode see text below.

### Important:

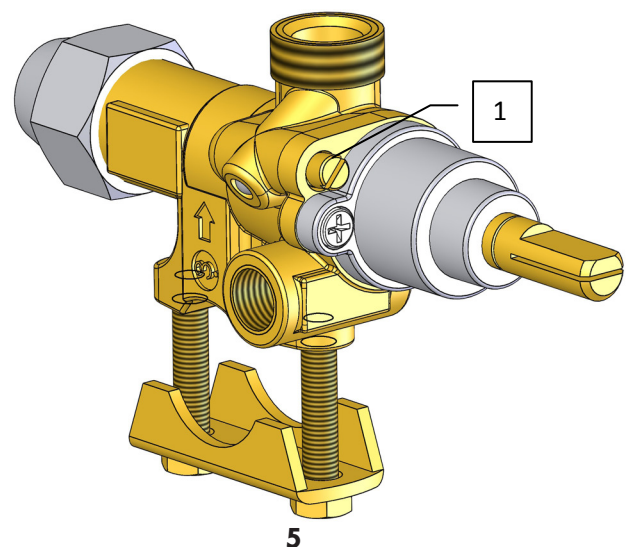
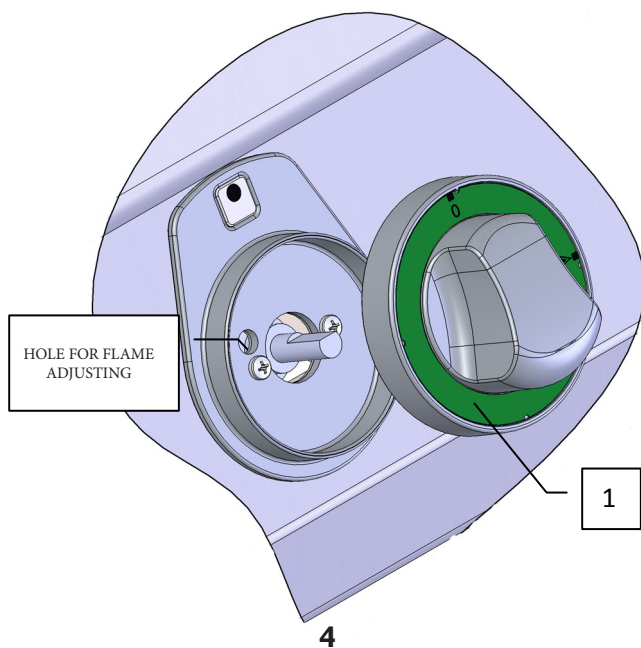
After what was done adjusting the appliance to another type of gas, it is necessary to change the gas indicated on the technical plate located in a visible location on the back of the device.

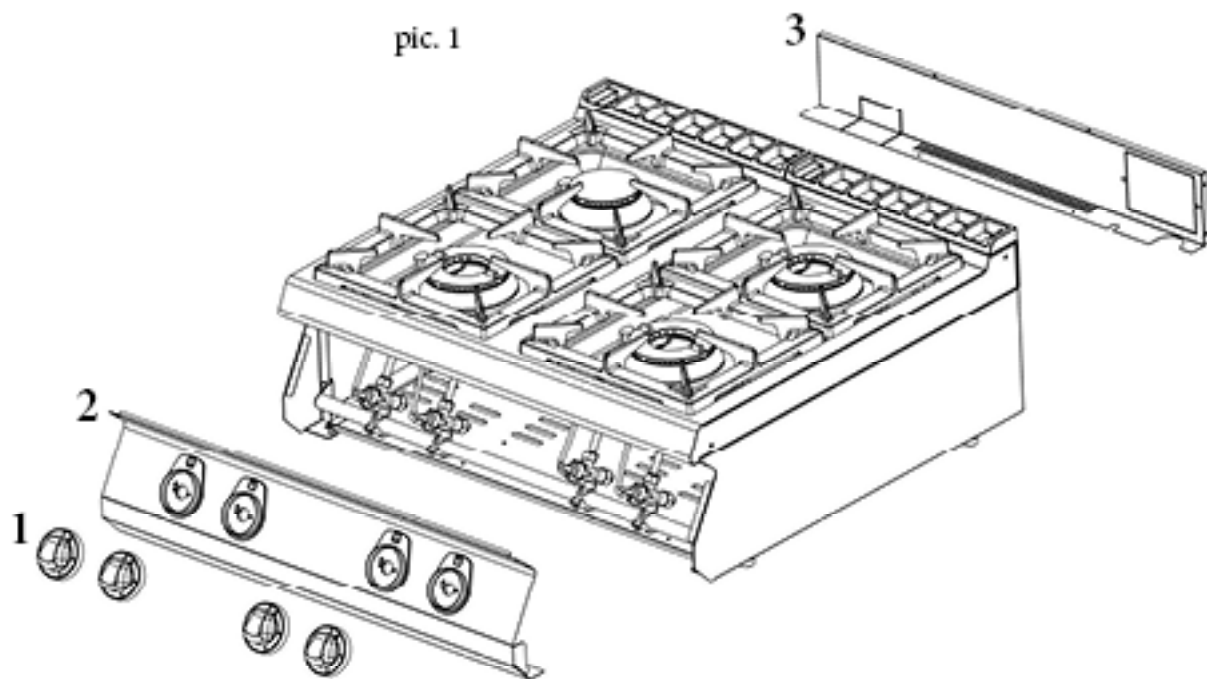
### Adjusting flame at reduced performance „SAVING“

Flame at reduced performance „SAVING“, can be set with screw placed in the valve body (note. 1, fig. 5) positioned next to valve shaft

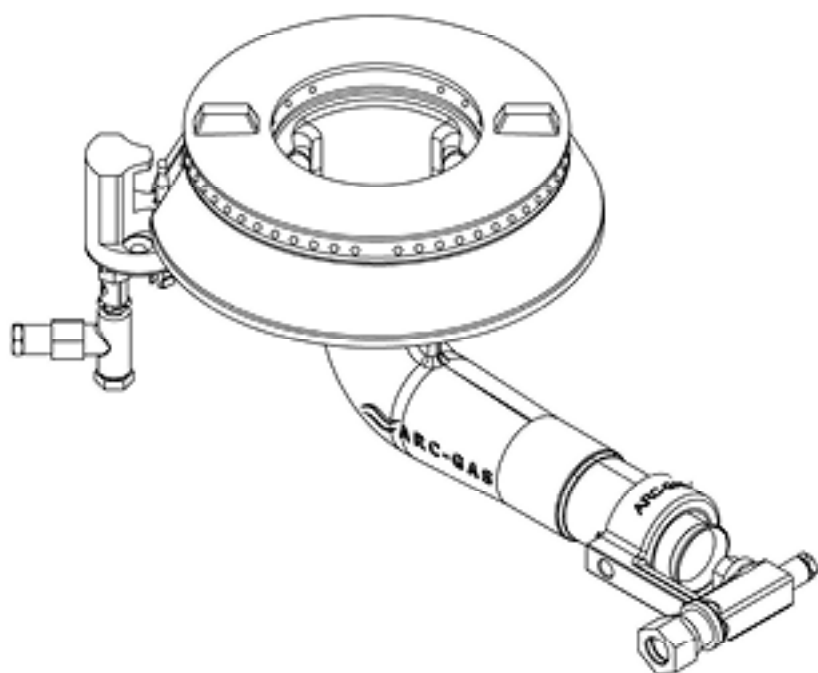
For adjusting proceed as follows:

- Remove the control knob (note. 1, fig. 4) pulling towards you
- Adjust the flame through hole with flat screwdriver

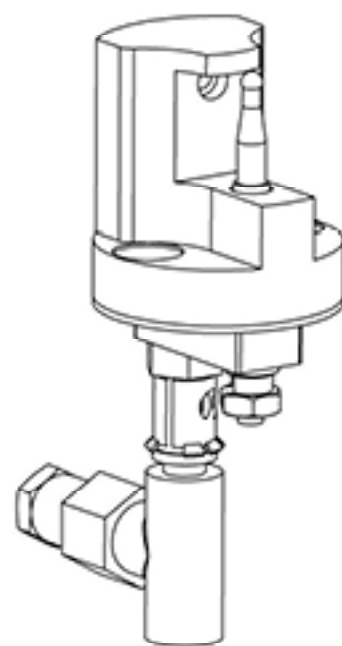




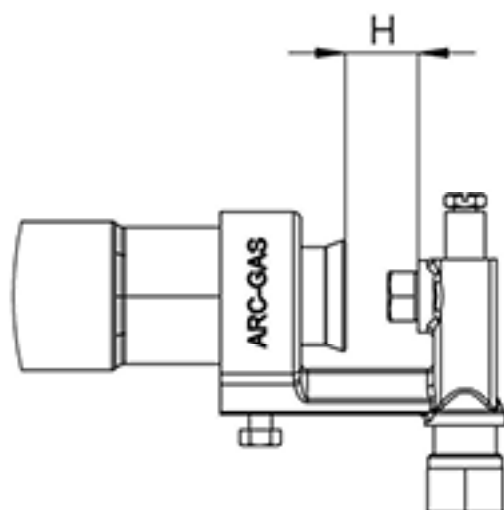
pic. 2



pic. 3



pic. 4



## CHECK THE GAS TYPE THE DEVICE IS ADJUSTED FOR (oven)

Our appliances are certified and regulated for natural gas (see technical plate). Conversion or adaptation to a different type of gas must be performed by authorized personnel. Nozzles for different types of gas are in a bag provided with the gas cooker and are marked in hundredths of mm (table of technical data pipes).

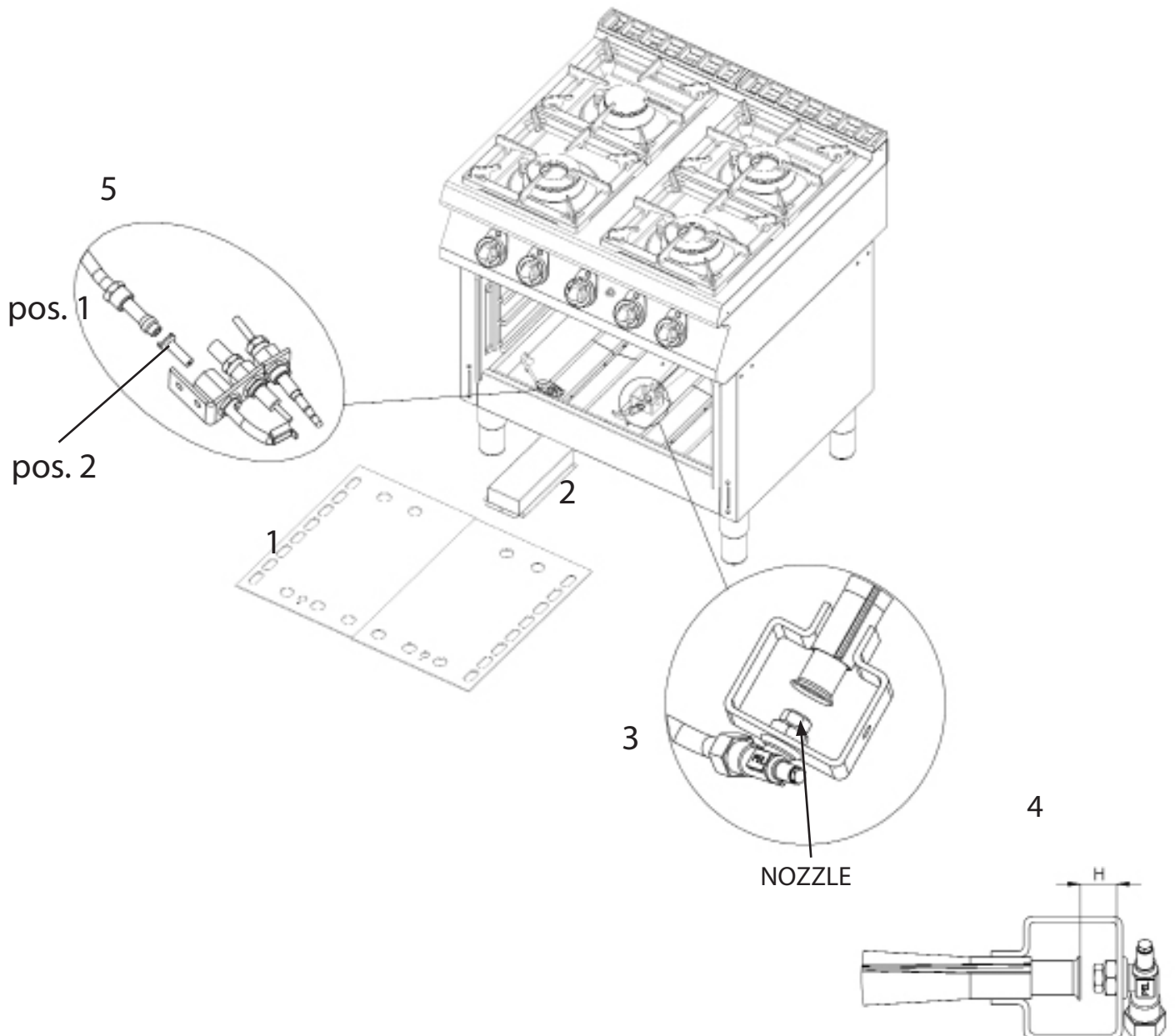
Instructions:

Main burner

- 1) Open the oven door and take out the cover sheet. (false bottom of oven).
- 2) Dismount the cover of main burner (fig. 2)
- 3) According to picture (fig. 3) unscrew the nozzle from the main burner and replace with nozzles according to table „TECHNICAL DATA“
- 4) Adjust the air intake for the relevant gas according to table „TECHNICAL DATA“

Pilot burner

- 1) Unscrew the nut according to pic. 5, pos. 1
- 2) Disassemble the copper supply pipe from the pilot burner.
- 3) unscrew the nozzle from the main burner according to pic. 5, pos. 2 and replace with nozzles according to the “BURNER TECHNICAL DATA” table.
- 4) Reinstall the copper pipe to the pilot burner and attach using the nut according to pic. 5, pos. 1.



## INSTRUCTIONS FOR USE

### Ignition of the burner and regulation of the performance

Turn the regulation knob of the competent burner (A) into position „ignition of the main burner“ and then press it down and hold it. Ignite the burner with lighter or matches. After ignition of the burner hold the knob (A) pressed several seconds till the thermofuse gets hot. Then release the button. If the flame goes out repeat the whole process once more.

### Lower performance sporo:

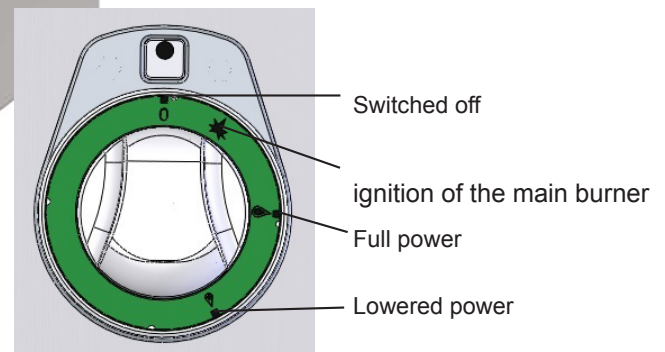
By turning the knob (A) into position „sporo“ you set the burning of the burner for sporo (lower performance)

### How to switch the burner off:

Turn the knob (A) into position“0“.



① BURNER CONTROL KNOB



### Control of the electric oven (STATIC)

You can choose to switch the control knob into select position for top and bottom heaters at the same time (position 1), or just the bottom heater (position 3) or upper heater (position 2). This is indicated by green LED. Set the control knob into desired temperature. Working heater is indicated by orange LED, when light goes off, the oven is preheated to the requested temperature. Turn off the oven by turning both knobs to „0“.

### Control of the convection oven

Turn the control knob to the right, will turn on the fan. This is signalized with a green LED. After that, set the control knob into desired temperature. Working of the heater is indicated by orange LED, when light goes off, the oven is preheated to the desired temperature. Turn off the oven by turning left into the "0".

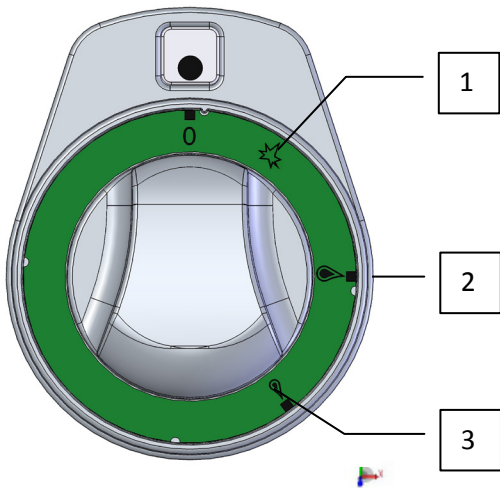
### Control of the GAS oven

To light, turn the knob to the left from position “0” to the IGNITION; keep it pushed down and press the button PIEZZO LIGHTER. It is possible to check the flame through the inspection hole on the oven floor (bottom); after a few seconds, release the knob. If the flame goes out, repeat the operation. Turn the knob into the position of the desired temperature. To turn off the oven, turn the knob to the right, into position “0”.

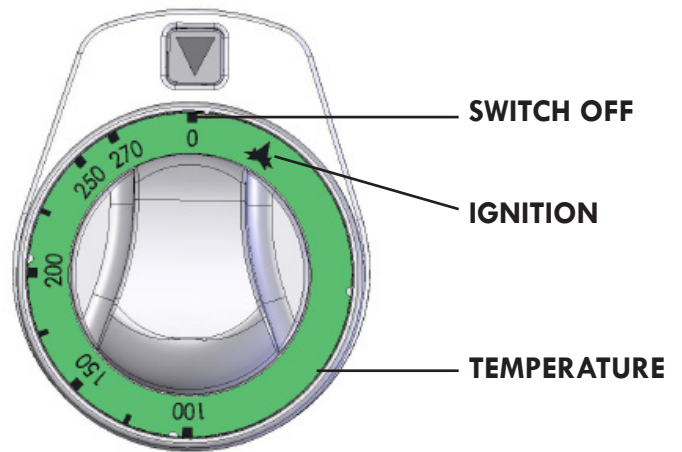
Attention! - When the oven is on, the door must not remain open because it could heat and damage the knobs.

# CONTROLS

Regulation knob of burnen

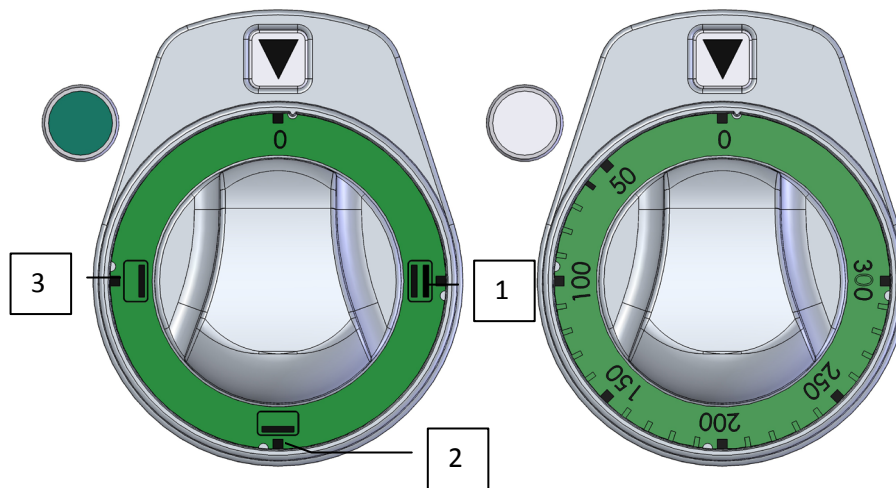


Regulation knob of gas oven

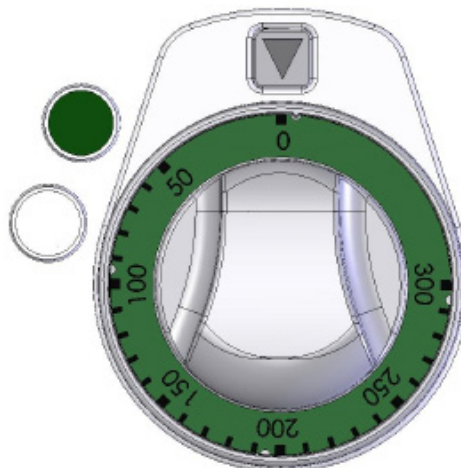


Switcher of static oven

Regulation knob of static oven



Regulation knob of convection oven





## **CLEANING AND MAINTENANCE**

It is recommended to have the device checked by the professional service min. once a year. All interventions must be done by qualified person who is competent for this.

### **ATTENTION!**

The device cannot be cleaned by direct or pressure water. Clean it daily. Daily maintenance keeps longer useful life and efficiency of the device. Before cleaning make sure to have disconnected the device from electricity. Always switch off the main feeder to the device. Stain-less parts wash with moist cleaning cloth and detergent without groove parts than wash it with clean water and dry it by the cloth. Do not use abrasive and corrosive detergents.

### **WHAT TO DO IN CASE OF BREAK-DOWN**

Switch off the electric feeder and call seller's professional service.

### **INDICATION:**

Guarantee does not cover all consumption parts succumable to common wear (rubber seals, bulbs, glas and plastic parts etc.). The guarantee does not refer to the devices which were not instaled in correspondance with instructions - by qualified worker, in confirmity with standards and when somebody handled incompetently the device (interventions into inner equipment) or the device was operated by nonqualified staff or at variance with instructions for use. Guarantee does not also cover the damages caused due to influence of nature or other outer intervention.

### **INDICATION:**

Guarantee does not cover all consumption parts succumable to common wear (rubber seals, bulbs, glas and plastic parts etc.). The guarantee does not refer to the devices which were not instaled in correspondance with instructions - by qualified worker, in confirmity with standards and when somebody handled incompetently the device (interventions into inner equipment) or the device was operated by nonqualified staff or at variance with instructions for use. Guarantee does not also cover the damages caused due to influence of nature or other outer intervention.

## DIE NORMENÜBEREINSTIMMUNGSDEKLARATION

Der Produzent erklärt, daß die Geräte in einer Übereinstimmung mit den Vorschriften der 2009/142/ES, 2014/30/ES, 2014/35/ES dem Gesetz Nr. 22/1997 sb., nr. 258/2000 sb., nr. 38/2001 sb., nr. 616/2006 sb., 17/2003 sb. der Sammlung und zugehörigen Regierungsverordnungen stehen. Die Installation muss mit der Absicht auf geltende Normen durchgeführt werden. Vorsicht, im Falle einer direkten oder indirekten Beschädigung, die sich auf falsche Installation, unrichtigen Eingriff oder Anpassungen, ungenügende Instandhaltung, unrichtige Verwendung beziehen, und welche eventuell durch andere Ursachen, als in Punkten der Verkaufsbedingungen angeführt ist, so verzichtet der Importeur auf jegliche Verantwortung. Dieses Gerät ist nur für fachliche Verwendung bestimmt und muß durch qualifizierte Person bedient werden. Teile, die nach der Einstellung durch den Hersteller oder durch befugte Person gesichert wurden, dürfen vom Benutzer keineswegs umgestellt werden.

## DIE TECHNISCHEN DATEN

Das Schild mit technischen Angaben ist auf der Rückseite des Gerätes angebracht. Studieren sie vor der Installation das elektrische Schema der Einschließung und alle folgende Informationen durch.

MODEL	SPANNUNG (V/Hz)	BURNER (kW)	BACKOFEN (kW)	ABMESSUNGEN (cm)
SPT-780-21 GE	400/3N/50	3x 7,5kW + 1x 4,5 kW	6,3	80x73x90 h
SPT-780-21 G	-	3x 7,5kW + 1x 4,5 kW	6 (gas)	80x73x90 h
SPT-780-11 GE	230/50	3x 7,5kW + 1x 4,5 kW	3,13 (convection)	80x73x90 h
SPT-7120-21 GE	400/3N/50	4x 7,5kW + 2x 4,5 kW	6,3	120x73x90 h
SPT-7120-21 G	-	4x 7,5kW + 2x 4,5 kW	6 (gas)	120x73x90 h
SPT-7120-31 GE	400/3N/50	4x 7,5kW + 2x 4,5 kW	8,7	120x73x90 h
SPT-7120-31 G	-	4x 7,5kW + 2x 4,5 kW	10,5 (gas)	120x73x90 h
Topfdurchmesser				
4,5 kW - min. 14 cm; max. 38 cm 7,5 kW - min. 14 cm; max. 50 cm				

Daten	Gasart						
<b>brenner 7,5 kW</b>	<b>G30 28-30 mbar</b>	<b>G30 37 mbar</b>	<b>G30 50 mbar</b>	<b>G20 20 mbar</b>	<b>G25 25 mbar</b>	<b>G25 20 mbar</b>	<b>G20 25 mbar</b>
Hauptbrenner durchmesser 1/100mm	135	125	120	205	215	225	190
Luftregelung Einstellung (mm)	öffnen	öffnen	10	3	3	3	3
Gasverbrauch	0,591 kg/h	0,591 kg/h	0,591 kg/h	0,794 m³/h	0,923 m³/h	0,923 m³/h	0,794 m³/h
<b>brenner 4,5 kW</b>							
Hauptbrenner durchmesser 1/100mm	105	100	90	150	160	170	145
Luftregelung Einstellung (mm)	öffnen	öffnen	6	6	6	6	6
Gasverbrauch	0,355 kg/h	0,355 kg/h	0,355 kg/h	0,476 m³/h	0,554 m³/h	0,554 m³/h	0,476 m³/h
<b>brenner 6 kW BACKOFEN</b>							
Hauptbrenner durchmesser 1/100mm	125	115	110	180	195	205	175
Luftregelung Einstellung (mm)	13	13	13	13	13	13	13
Gasverbrauch	0,473 kg/h	0,473 kg/h	0,473 kg/h	0,635 m³/h	0,738 m³/h	0,738 m³/h	0,635 m³/h
<b>Pilotbrenner</b>							
durchmesser 1/100mm	20	20	20	40	40	40	40
<b>Pilotbrenner BACKOFEN</b>							
	19	19	19	36	36	36	36

Daten	Gasart					
<b>brenner 7,5 kW</b>	<b>G25.1 25 mbar</b>	<b>G2.350 13 mbar</b>	<b>G27 20 mbar</b>	<b>G31 30-37 mbar</b>	<b>G31 37 mbar</b>	<b>G31 50 mbar</b>
Hauptbrenner durchmesser 1/100mm	220	290	230	135	125	120
Luftregelung Einstellung (mm)	3	3	3	3	3	3
Gasverbrauch	0,922 m³/h	1,102 m³/h	0,968 m³/h	0,583 kg/h	0,583 kg/h	0,583 kg/h
<b>brenner 4,5 kW</b>						
Hauptbrenner durchmesser 1/100mm	165	215	175	105	100	90
Luftregelung Einstellung (mm)	6	6	6	6	6	6
Gasverbrauch	0,553 m³/h	0,661 m³/h	0,581 m³/h	0,350 kg/h	0,350 kg/h	0,350 kg/h
<b>brenner 6 kW BACKOFEN</b>						
Hauptbrenner durchmesser 1/100mm	195	260	205	125	115	110
Luftregelung Einstellung (mm)	13	13	13	13	13	13
Gasverbrauch	0,737 m³/h	0,882 m³/h	0,774 m³/h	0,466 kg/h	0,466 kg/h	0,466 kg/h
<b>Pilotbrenner</b>						
durchmesser 1/100mm	40	40	40	20	20	20
<b>Pilotbrenner BACKOFEN</b>						
	36	36	36	13	13	13



## **DIE VERPACKUNGS-, UND VORRICHTUNGSKONTROLLE**

Die Vorrichtung verlässt unsere Lager in ordentlicher Verpackung, auf deren die entsprechenden Symbole und Bezeichnungen stehen. In der Verpackung befindet sich entsprechende Bedienungsanweisung. Falls die Verpackung eine schlechte Behandlung oder Anzeichen der Beschädigungen vorweist, muß dieses sofort beim Transporteur reklamiert werden und zwar durch Unterzeichnung eines Schadensprotokolles.

### **Wichtige Hinweise**

-Das Erzeugnis ist nur zur Verwendung im Innenraum bestimmt.

Verwenden Sie den Verbraucher nie, wenn die Speisezuleitung oder der Stecker beschädigt sind, das Gerät nicht richtig arbeitet, ist auf den Boden gefallen und hat sich beschädigt oder ist ins Wasser gefallen. Bringen Sie in solchen Fällen den Verbraucher zu einem Fach-Kundendienst zur Überprüfung seiner Sicherheit und richtiger Funktion.

- Nur für professionellen Verbrauch geeignet
- Diese Bedienungsanleitung muss ordentlich und bedächtig gelesen werden, weil sie wichtige Informationen über Sicherheitsmerkmale, Installation und Anwendung beinhaltet
- Diese Empfehlungen beziehen auf diesen Produkt
- Der Produkt entspricht geltenden Normen
- Diese Anleitung muß ordentlich für die zukünftige Verwendung hinterlegt werden
- Hindern Sie den Kinder an Vorrichtungsm Manipulation
- Beim Verkauf oder Verlegung ist es notwendig sich zu überzeugen, daß die Bedienstperson oder Fachservis sich mit der Beherrschung und Installationsanweisung in beiliegender Anleitung, anvertraut gemacht haben.
- Das Produkt darf nur eingeschulte Bedienung bedienen
- Das Produkt darf nicht ohne Aufsicht ins Betrieb gesetzt sein
- Es ist empfohlen, minimal einmal pro Jahr eine Fachkontrolle durchführen zu lassen
- Bei eventueller Reparatur der Teilenumtauschungen müssen ausschließlich Originalteile angewendet werden
- Das Produkt darf nicht durch einen Wasserstrahl oder Druckbrause gereinigt werden
- Schalten Sie alle Leitungen (Wasser, Elektrizität, Gas) bei einer Störung oder beim schlechten Lauf aus und rufen Sie autorisierten Service an
- Der Hersteller verzichtet auf jegliche Verantwortung bei Störungen, die durch fehlerhafte Installation, Nichteinhaltung o.a. Empfehlungen, andere Verwendung u.ä, verursacht wurden

### **DIE PLATZIERUNG**

Es ist unbedingt notwendig, zu der Regulation der Gerätetätigkeit, daß das Milieu - der Küche -, wo das Gerät installiert wird, sehr gut belüftbar ist (im Hinblick darauf: sei der Techniker sich mit geltenden Normen (EN) richtet). Wenn die Einrichtung so plaziert wird, daß sie im Mobiliarwandkontakt stehen wird, so müssen diese einer Temperatur von 90°C widerstehen. Die Installation, Herrichtung, Inbetriebnahme müssen durch qualifizierte Person, die zu solchen Vorkehrungen eine Befugnis hat und dies laut geltenden Normen nach, durchgeführt werden.

Packen Sie das Gerät aus und kontrollieren Sie , ob sich das Gerät während des Transportes nicht beschädigt hat. Platzieren Sie das Gerät auf eine waagrechte Fläche (maximale Unebenheit bis 2°). Stellen Sie das Gerät unter den Haubenabzug, damit Sie die Wasserdämpfe und den Geruch eliminieren. Das Gerät kann selbständig oder in einer Reihe mit Geräten unserer Herrstellung installiert werden. Es ist notwendig die minimale Entfernung von 10 cm zu anderen Gegenständen einzuhalten, so dass die Wärmeisolierung der brennbaren Teilen gewährleistet wird.

Das Gerät kann selbständig oder in einer Reihe mit Geräten unserer Herrstellung installiert werden. Es ist notwendig die minimale Entfernung von 10 cm zu anderen Gegenständen einzuhalten, so dass die Wärmeisolierung der brennbaren Teilen gewährleistet wird.

# TECHNISCHE HINWEISE ZUR INSTALLATION UND REGELUNG

## Wichtig:

Zur Benützung AUSSCHLIEßLICH nur für spezialisierte Techniker  
Instruktionen, die folgen, wenden sich an den Techniker, der für die Installation qualifiziert ist, damit er alle Operationen mit der korrektesten Weise und laut der gültigen Normen durchführt.

## Wichtig

Jeweils irgendeine Tätigkeit, die mit der Regulation verbunden ist u.ä, muß nur mit der aus dem Netz ausgezogenen und abgeschalteten Einrichtung vollgezogen sein.  
Solange das Gerät unter der Spannung notwendig zu halten ist, eine höchste Vorsicht zu beachten vorliegt.

## DIE SICHERHEITSVORRICHTUNGEN AUS DER SICHT DES FEUER-SCHUTZES LAUT EN. 061008 ČL. 21

Die Einrichtungsbedienung dürfen nur Erwachsene ausführen

- Das Gerät darf sicher in gewöhnlicher Umgebung laut EN 332000-4-482; EN 332000-4-42 verwendet werden.
- Es ist notwendig das Gerät so platzieren, daß es auf einer unbrennbaren Grundlage steht oder hängt.
- Es dürfen, auf und in eine Entfernung, die kleineremase als sicher vom Gerät bezeichnet wird, keine Gegenstände aus brennbaren Materilien (die kleinste Entfernung vom Brennbarem ist 10 cm) aufgestellt werden.
- Die sicheren Entfernungen von Massen der einzelnen Brenngra

## Tabelle:

Baumassefeuerbrenngrad ins Brenngrad (EN) der Massen und Produkte eingegliedert

A	Unbrennbar	Granit, Sandstein, beton, Ziegel, Keramikbekleidung, Putz
B	nicht einfach brennbar	Akumin, Heraklit, Lihnos, Itaver
C1	schwer brennbar	Holz, Laubbaum, Furnier Sirkoklit, Festpapier, Umakart
C2	mittel brennbar	Holzspanplatten, Solodur, Korkplatten, Hartgummi, Bodenbeläge
C3	leicht brennbar	Holzfasерplatten, Polystyren, Polyureten, PVC

Die Bedarfsartikel müssen sicher installiert werden und sind mit regulierenbaren Beinchen - zur Ausgleichen der Höhe und der Unebenheiten eingestattet.

Die Geräte müssen in einer sicheren Weise installiert werden. Bei der Installation müssen weiter betreffende Projekt-, Sicherheits-, und Hygienevorschriften respektiert werden.

- EN 06 1008 Feuerschutz der örtlichen Geräte und der Wärmquellen
- EN 33 2000 (33 2000-4-482; 33 2000-4-42) Umgebung für elektrische Geräte
- Gasversorgung -Gasleitunge in Gebäuden - Höchste Verkehrsdruck ≤ 5 BarVerkehrsansprüche,
- § 10 des Gesetzes Nr.185/2001 Sb., der Abfälle betrifft.

## **ROHR FÜR GASANSCHLÜSSEN**

Es muss zuerst feststellen, ob das Gerät für die gleiche Art von Gas, das verwendet werden soll, wird und entspricht damit den auf dem Etikett die Art des Gases verwendet werden.

Die Umwandlung von Gas Pfanne auf eine andere Gasart müssen Sie überprüfen, ob es auf die Art der Gas-Lager, die in diesem Handbuch empfohlen wird, entspricht.

Anschließen des Gerätes an die Gasversorgung muss Anhängelast auf einer Stahl-oder Kupferrohr Beachtung der geltenden nationalen Anforderungen. Dies muss regelmäßig kontrolliert werden und bei Bedarf geändert. Jedes Gerät muss mit Absperrventil und schnelle Absperrventil ausgestattet sein. Schnell-Absperrventil muss frei zugänglich sein und innerhalb der Reichweite des Gerätes. Nach der Installation ist zu prüfen, ob es ein Gas austritt. Um ein Gasleck Sie Seifenwasser oder Spray zur Lecksuche können zu finden.

Verwenden Sie keine ätzenden Stoffen! Alle unsere Geräte werden sorgfältig kontrolliert. Gasart, Druck und der Kategorien auf der technischen Informationen Platte benannt.

### **Flüssiggas-Anschluss:**

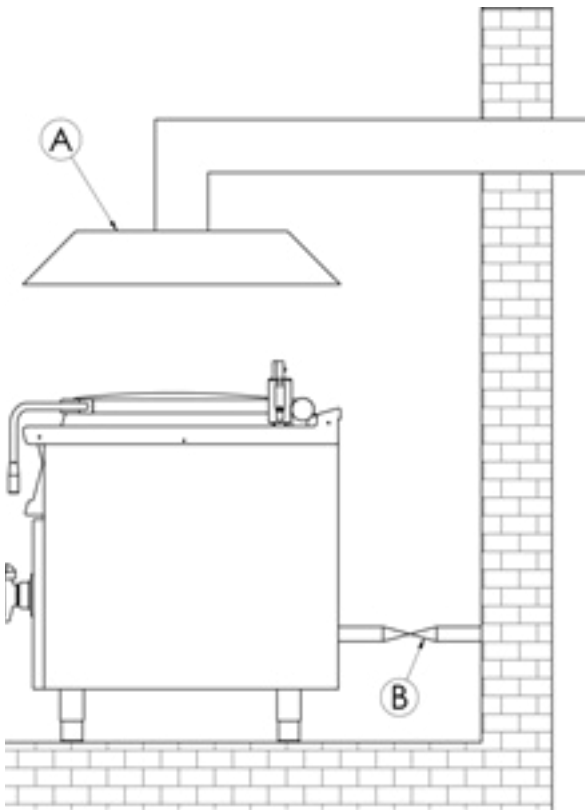
Der Druck für Flüssiggas-Verbindung muss 28 oder 30 mbar für Propan / Butan und 37 mbar für Propan sein. Es ist notwendig, um die technische Etikett überprüfen, messen den Druck und Kontrolle der Parameter der Düse wird mit den erforderlichen Parametern der Düse gemäß der Herstellerangaben installiert. Ist der Druck niedriger als 25mbar oder höher als 37 mbar, darf das Gerät nicht ANZUSCHLIESSEN.

### **Gas-Anschluss:**

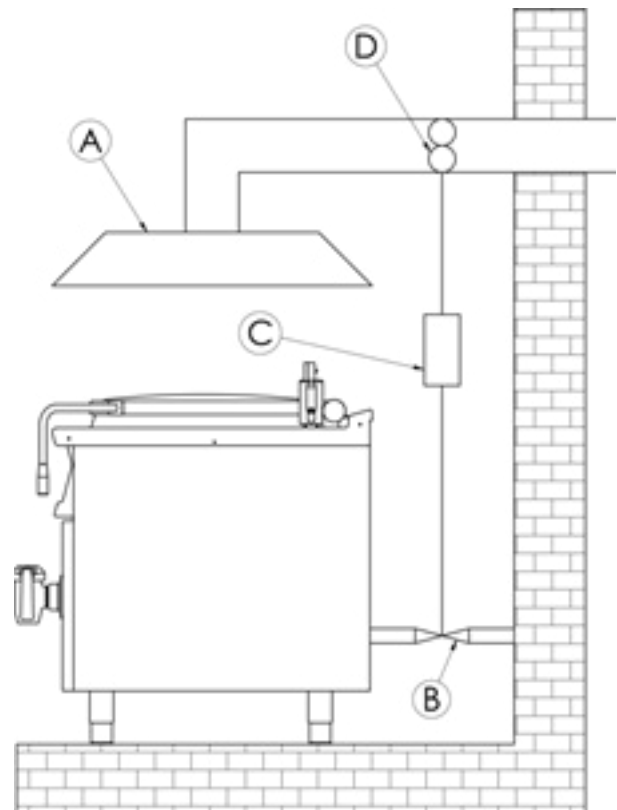
Der Druck für die Methan-Anschluss muss 18 oder 20 mbar betragen. Es ist notwendig, um die technische Etikett überprüfen, messen den Druck und Kontrolle der Parameter der Düse wird mit den erforderlichen Parametern der Düse gemäß der Herstellerangaben installiert. Wenn der Gasdruck niedriger ist als 15 mbar oder höher als 22,5 mbar, darf das Gerät nicht ANZUSCHLIESSEN.

# KAMIN-DESIGN FÜR EIN GERÄT VOM TYP A

## NATURAL EXTRACTION



## ABSAUGANLAGE



Outlet Kapuze mit natürlichen Extraktion (A). Rauchgas sorgt für einen natürlichen Kaminzug.

Outlet Haube ohne natürliche Extraktion. Rauchgas wird durch einen Ventilator (D) (erzwungene Extraktion) gesichert. In diesem Fall ist es erforderlich, die Verbindung mit einer Gaszuführung (B), um die Gaszufuhr bei Ausfall zu sichern.

## PRÜFEN der Gasart Das Gerät ist für EINGESTELLT

Unsere Geräte sind zertifiziert und reguliert das Erdgas (siehe technische Platte). Umwandlung oder Anpassung an eine andere Gasart müssen von autorisiertem Personal durchgeführt werden. Düsen für verschiedene Arten von Gas sind in einer Tüte mit dem Gasherd gestellt und sind im hundertstel mm (Tabelle der technischen Daten Rohre) markiert.

### Düsenwechsel und Druckeinstellung

Beim Austausch der Düse des Hauptbrenners ist wie folgt zu verfahren:

- 1) Nehmen Sie den Bedienknopf vom vorderen Paneel ab. (Abb.1, Anm.1)
- 2) Demontieren Sie das vordere Paneel. (Abb.1, Anm.2)
- 3) Zur Erleichterung des Zugangs empfehlen wir, auch das hintere Paneel zu demontieren (sofern möglich). (Abb.1, Anm.3)
- 4) Gemäß der Abb. 2 schrauben wir die Düse aus dem Hauptbrenner heraus und ersetzen sie durch die Düsen gemäß der Tabelle „DIE TECHNISCHE DATEN“.
- 5) Wir stellen die Luftzufuhr für das jeweilige Gas gemäß der Tabelle „DIE TECHNISCHE DATEN“ ein.

Den Pilotbrenner stellen wir ein, indem wir die Sicherungsmutter (Abb.3, Anm. 1) mit dem Schlüssel lockern, anschließend die Düse des Pilotbrenners (Abb.3, Anm. 2,3) mit der Feder xxx herausschrauben und durch die Düse für das jeweilige Gas gemäß der Tabelle ersetzen. Wir ziehen die Kappe der Düse mit dem Schlüssel fest und stellen das „Spar“-Regime ein - siehe Text unten.

### wichtig:

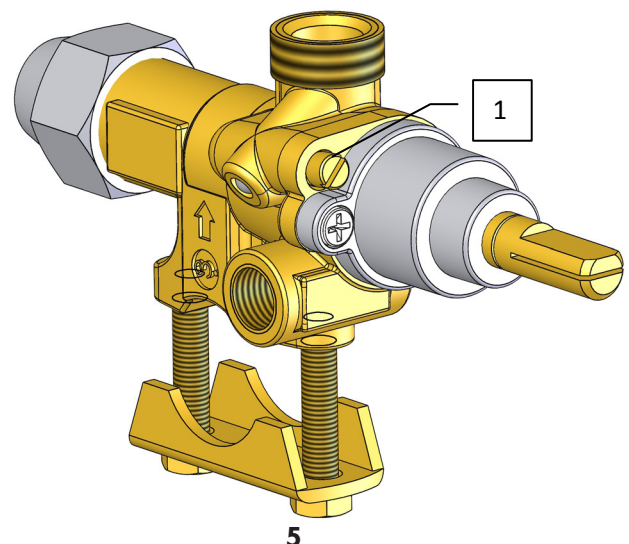
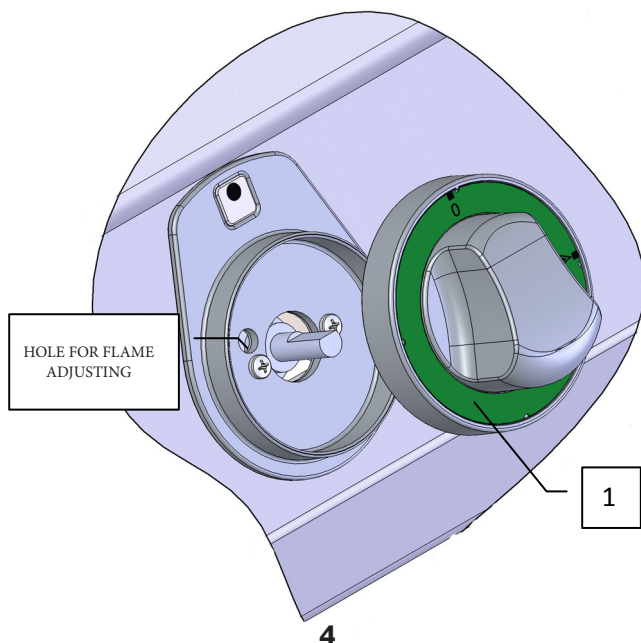
Nach dem, was getan Einstellen des Gerätes an andere Art von Gas, ist es notwendig, das Gas auf dem technischen Platte an einer sichtbaren Stelle an der Rückseite des Geräts angeben ändern.

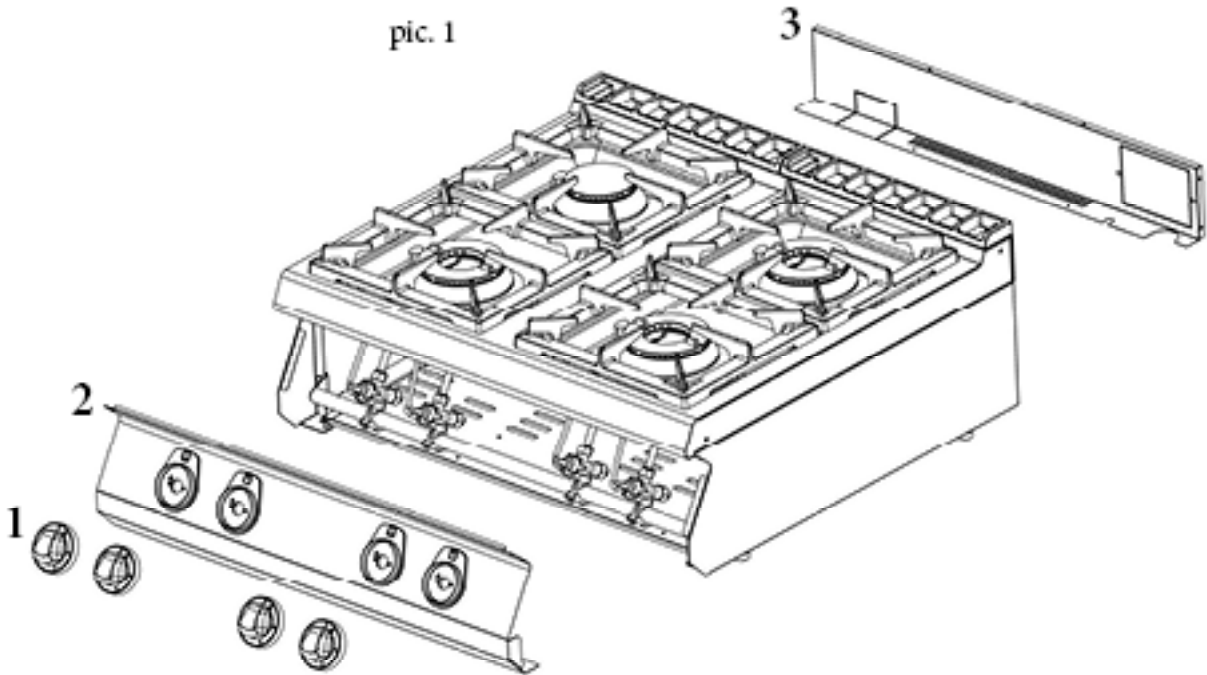
Anpassen der Flamme bei reduzierter Leistung „SPAREN“

Flamme bei reduzierter Leistung „Speichern“ kann mit der Schraube in dem Ventilkörper (Anm. 1, Abb. 5). Platziert gesetzt werden positioniert neben dem Ventilschaft

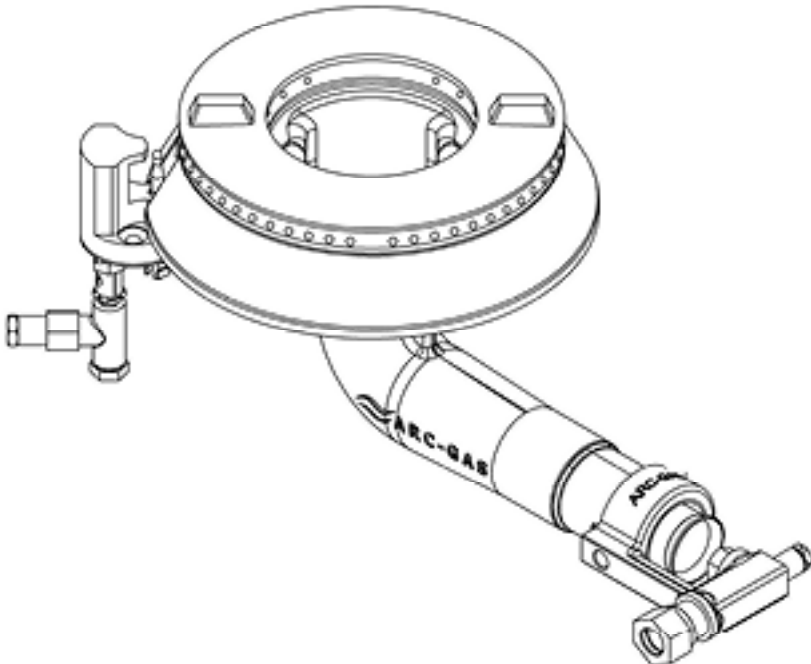
Für die Einstellung wie folgt vorgehen:

- Entfernen Sie den Drehknopf (Anm. 1, Abb. 4). Ziehen Sie in Richtung
- Stellen Sie die Flamme durch das Loch mit Schraubenzieher

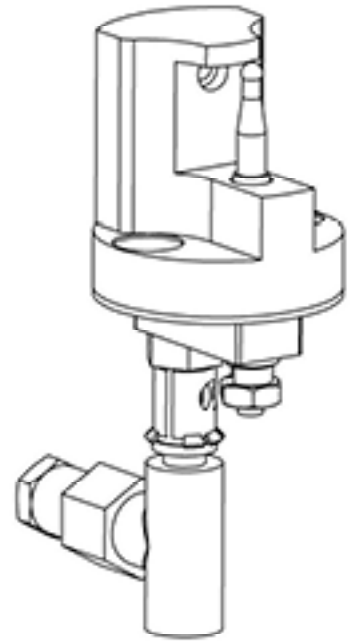




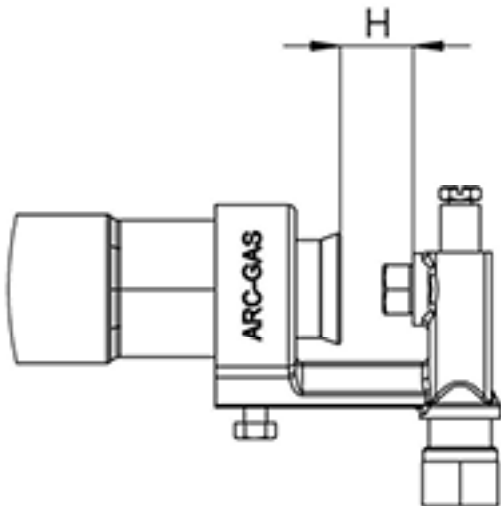
pic. 2



pic. 3



pic. 4





# DÜSENAUSTAUSCH UND EINSTELLUNG DES GASBRENNERS BEI GASOFEN (SIEHE BILD UNTEN)

Unsere Geräte sind zertifiziert und reguliert das Erdgas (siehe technische Platte). Umwandlung oder Anpassung an eine andere Gasart müssen von autorisiertem Personal durchgeführt werden. Düsen für verschiedene Arten von Gas sind in einer Tüte mit dem Gasherd gestellt und sind im Hundstempel mm (Tabelle) der technischen Daten Rohre) markiert.

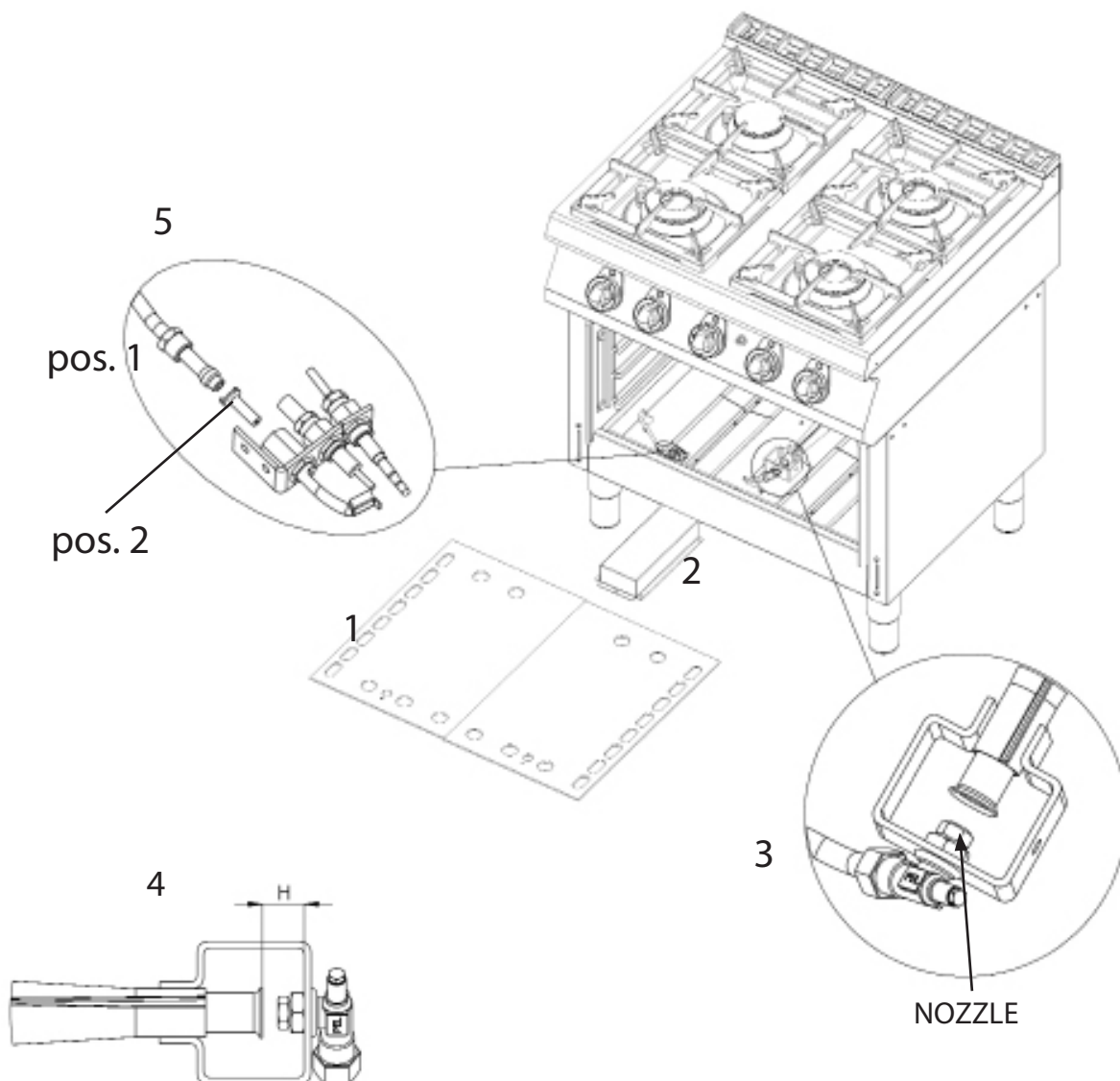
Bei dem Düsen austausch folgen Sie diese Punkte nach:

Hauptbrenner:

- 1) Öffnen Sie die Backofentür und nehmen Sie Deckblech des Öfens heraus /einen falschen Boden des Backkammers
- 2) Bauen Sie die Deckung des Brennerzuleiter ab (siehe Bild 1)
- 3) Gemäß der Abb. 2 schrauben wir die Düse aus dem Hauptbrenner heraus und ersetzen sie durch die Düsen gemäß der Tabelle „DIE TECHNISCHEN DATEN“.
- 4) Wir stellen die Luftzufuhr für das jeweilige (Bild 4) Gas gemäß der Tabelle „DIE TECHNISCHEN DATEN“ ein.

Zündbrenner:

- 1) Die Mutter gemäß der Abb. 5 Pos. 1 herausschrauben.
- 2) Demontieren Sie das Zuleitungs-Kupferrohr vom Pilotbrenner.
- 3) Gemäß der Abb. 5. Anm. 2 schrauben wir die Düse aus dem Hauptbrenner und ersetzen sie durch die Düsen gemäß der Tabelle „TECHNISCHE DATEN DER BRENNER“.
- 4) Wir montieren das Kupferrohr des Pilotbrenners zurück und ziehen es mittels der Mutter gemäß der Abb. 5 Pos. 1 fest.



## BEDIENUNGSANLEITUNG

### Anzündung und Regulierung des Brenners ohne Dauerflamme - Bilder 1,2-Standard ausführung

Drehen Sie den Regulierungsknopf des zuständigen Brenners (A) in die Position „Anzünden des Hauptbrenners“ und dann drücken Sie den Knopf und halten Sie ihn, nun können Sie die Flamme durch ein Streichholz oder Feuerzeug entzünden. Nach dem Entzünden des Brenners halten Sie den Knopf (A) noch ein paar Sekunden, sobald die Thermosicherung erwärmt ist, können Sie den Knopf loslassen. Falls die Flamme ausgeht, wiederholen Sie den ganzen Vorgang.

### Niedrigere Leistung (sporo) - Bilder 1,2

Drehen Sie den Knopf (A) in Position „sporo“. Damit stellen Sie Brennen für niedrigere Leistung (sporo).

### Ausschaltung der zuständigen Brenner - Bilder 1,2

Drehen Sie den Knopf (A) in Position „0“.



## CONTROLLING DER STATISCHEN OFEN

Sie können den Regler in ausgewählte Positionen Schalter für oberen und unteren Heizkörper zur gleichen Zeit (Position 1), oder einfach nur die Bodenheizung (Position 3) oder obere Heizung (Position 2). Dies wird durch grüne LED angezeigt. Stellen Sie den Regler in die gewünschte Temperatur. Arbeiten Heizung durch orange LED, wenn das Licht erlischt angegeben ist, wird der Ofen auf die gewünschte Temperatur vorgeheizt. Schalten Sie den Ofen durch Drehen der beiden Knöpfe auf „0“.

## ZÜNDUNG UND EINSTELLUNG DES BRENNERS DES GAS-BACKOFENS

Zum Zünden der Flamme ist der Drehknopf von der Position „0“ nach links auf das Zeichen ★ zu drehen (siehe Abbildung; den Drehknopf gedrückt halten und den Druckknopf mit dem Symbol ⚡ betätigen, bis der Brenner zündet. Die Flamme kann durch die Inspektionsöffnung in der Backofensohle kontrolliert werden; nach einigen Sekunden den Drehknopf loslassen. Sollte die Flamme erlöschen, ist der Vorgang zu wiederholen. Den Drehknopf auf die gewünschte Temperatur stellen. Zum Ausschalten des Backofens den Drehknopf nach rechts auf die Position 0 drehen.

## CONTROLLING DER UMLUFTOFEN

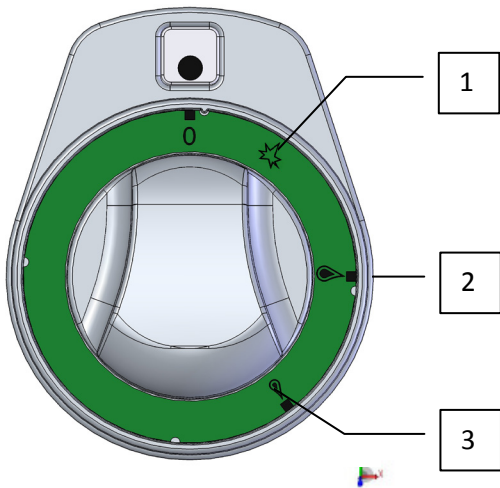
Drehen Sie den Regler nach rechts drehen, wird auf dem Ventilator einzuschalten. Dies wird durch eine grüne LED signalisiert. Danach stellen Sie den Drehknopf in die gewünschte Temperatur. Arbeiten der Heizung wird durch die orange LED, wenn das Licht erlischt angedeutet, wird der Ofen auf die gewünschte Temperatur vorgeheizt. Schalten Sie den Ofen nach links in die „0“ nach links.

**Achtung!:** -Bei eingeschaltetem Backofen darf dessen Tür nicht offen bleiben, da sonst die Drehknöpfe überhitzt und beschädigt werden könnten.

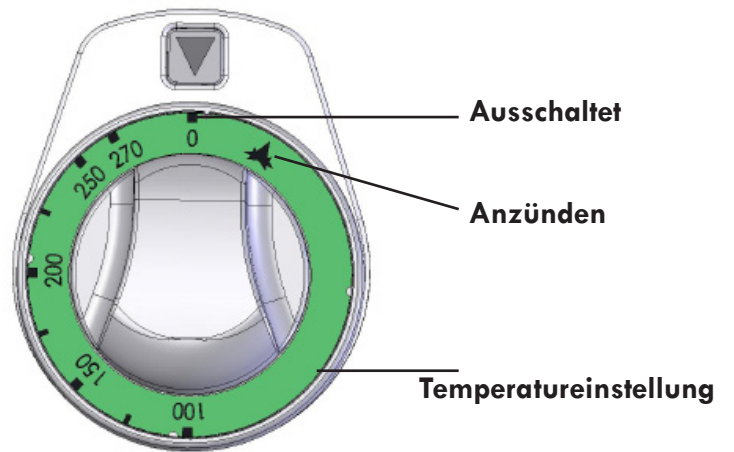


# KONTROLLEN

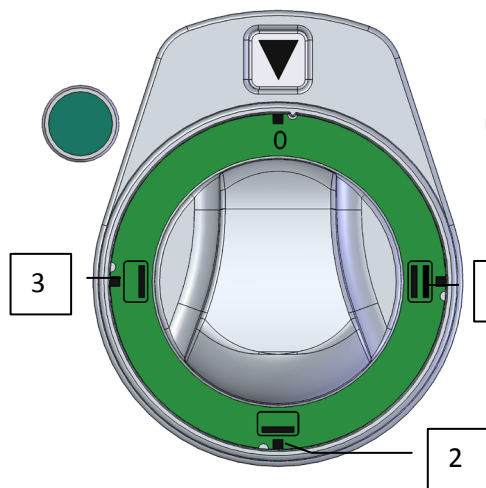
## Brenner Drehknopf



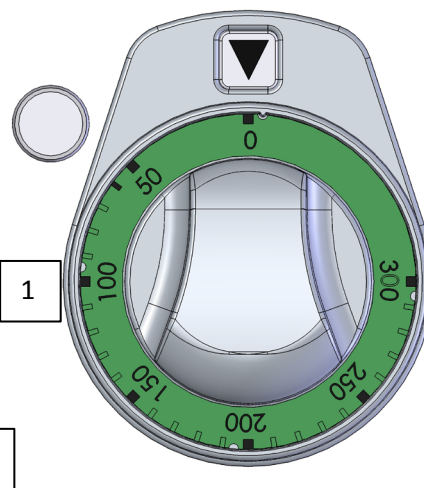
## Verordnung Knopf des Gas-Backofen



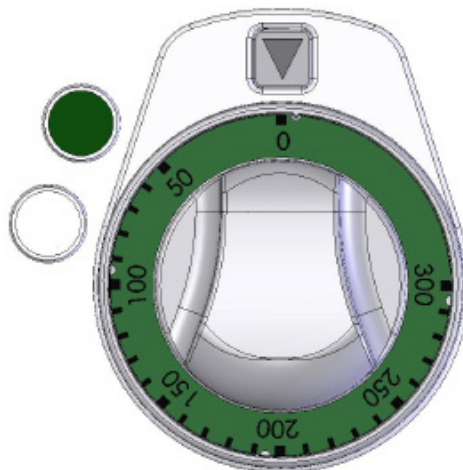
## Switcher von statischen Ofen



## Verordnung Knopf statischer Backofen



## Verordnung Knopf Heißluftofen



## **DIE REINIGUNG UND INSTANDSHALTUNG**

**ACHTUNG!** Die Einrichtung darf nicht mit Direkt-, oder Druckwasserstrahl gereinigt werden. Reinigen Sie das Gerät täglich. Die Lebensdauer und Gerätewirkung wird durch die tägliche Wartung gewährleistet. Überzeugen Sie sich, vorm Reinigungsanfang, dass Sie die Einrichtung vom Elektrostrom abgeschaltet haben. Schalten Sie immer die Gerätehauptzufuhr ab. Waschen Sie die Edelstahlteile mit feuchtem Waschlappen, der im Waschpulver getauft ist und keine grobe Teilchen aufweist. Wischen Sie alles ins Trockene ab. Verwenden Sie keine abrasive- oder korrosionsreiche Reinigungsmitteln.

### **WIE MAN IM FALLE EINER STÖRUNG VORANGEHEN SOLL**

Schalten sie die elektrische Stromleitung ab und rufen die Serviceorganisation des Verkäufers an.

### **HINWEIS**

Die Garantie bezieht sich nicht auf alle Verbrauchsteile, die der geläufiger Abnutzung unterstehen (gesamte Gummidichtungen, Glühlampen, alle glasemde und plastiche Teile, usw.). Die Garantie bezieht sich nicht weiterhin auf Einrichtungen, die durch befugte Person laut Anweisung und entsprechender Normen nicht installiert worden sind und wenn mit dem Gerät unfachmännisch manipuliert wurde (Eingriffe ins Innere) und auf Beschädigungen durch Natureinflüsse oder Ausseneingriffe.

## DÉCLARATION DE CONFORMITÉ

Le fabricant certifie la conformité des appareils aux normes 2009/142/ES, 2014/30/ES, 2014/35/ES à la loi n° 22/1997 sb., 258/2000 sb., 258/2000 sb., 616/2006 sb., 17/2003 sb. et aux décrets applicables. L'installation doit être effectuée dans le respect des normes en vigueur. Attention: le fabricant décline toute responsabilité en cas de dommages, directs ou indirects, causés par une mauvaise installation, par une utilisation, des interventions ou des modifications impropres, par un entretien insuffisant, ainsi qu'en cas de dommages dérivant des causes mentionnées dans les conditions de vente. L'appareil objet de la présente notice est prévu pour un usage professionnel, aussi son utilisation doit-elle être confiée à un personnel possédant les compétences nécessaires à cet effet. L'utilisateur ne doit procéder à aucune intervention ni à aucune modification sur les parties réglées et protégées par le fabricant ou autre personnel autorisé à cet effet.

### CARACTÉRISTIQUES TECHNIQUES

L'étiquette sur laquelle figurent les caractéristiques techniques est apposée sur la partie postérieure de l'appareil. Avant de procéder à l'installation, prendre connaissance du schéma électrique et de toutes les informations que contient la présente notice.

MODEL	TENSION (V/Hz)	PUISSANCE THERMIQUE	AVEC FOUR (KW)	DIMENSIONS (CM)
SPT-780-21 GE	400/3N/50	3x 7,5 kW + 1x 4,5 kW	6,3	80x73x90 h
SPT-780-21 G	-	3x 7,5kW + 1x 4,5 kW	6 (gas)	80x73x90 h
SPT-780-11 GE	230/50	3x 7,5kW + 1x 4,5 kW	3,13 (convection)	80x73x90 h
SPT-7120-21 GE	400/3N/50	4x 7,5kW + 2x 4,5 kW	6,3	120x73x90 h
SPT-7120-21 G	-	4x 7,5kW + 2x 4,5 kW	6 (gas)	120x73x90 h
SPT-7120-31 GE	400/3N/50	4x 7,5kW + 2x 4,5 kW	8,7	120x73x90 h
SPT-7120-31 G	-	4x 7,5kW + 2x 4,5 kW	10,5 (gas)	120x73x90 h
Diametre de bac				
4,5 kW - min. 14 cm; max. 38 cm 7,5 kW - min. 14 cm; max. 50 cm				

Informations	type de gaz						
	<b>G30 28-30 mbar</b>	<b>G30 37 mbar</b>	<b>G30 50 mbar</b>	<b>G20 20 mbar</b>	<b>G25 25 mbar</b>	<b>G25 20 mbar</b>	<b>G20 25 mbar</b>
<b>brûleur 7,5 kW</b>							
Diamètre brûleur 1/100mm	135	125	120	205	215	225	190
Paramètres de contrôle de l'air (mm)	ouvrir	ouvrir	10	3	3	3	3
Gasverbrauch	0,591 kg/h	0,591 kg/h	0,591 kg/h	0,794 m³/h	0,923 m³/h	0,923 m³/h	0,794 m³/h
<b>brûleur 4,5 kW</b>							
Diamètre brûleur 1/100mm	105	100	90	150	160	170	145
Paramètres de contrôle de l'air (mm)	ouvrir	ouvrir	6	6	6	6	6
La consommation de gaz	0,355 kg/h	0,355 kg/h	0,355 kg/h	0,476 m³/h	0,554 m³/h	0,554 m³/h	0,476 m³/h
<b>brûleur pilote</b>							
Diamètre brûleur 1/100mm	20	20	20	40	40	40	40
<b>brûleur 6 kW FOUR</b>							
Diamètre brûleur 1/100mm	125	115	110	180	195	205	175
Paramètres de contrôle de l'air (mm)	13	13	13	13	13	13	13
La consommation de gaz	0,473 kg/h	0,473 kg/h	0,473 kg/h	0,635 m³/h	0,738 m³/h	0,738 m³/h	0,635 m³/h
<b>brûleur pilote FOUR</b>							
Diamètre brûleur 1/100mm	19	19	19	36	36	36	36

Informations	type de gaz					
	<b>G25.1 25 mbar</b>	<b>G2.350 13 mbar</b>	<b>G27 20 mbar</b>	<b>G31 30-37 mbar</b>	<b>G31 37 mbar</b>	<b>G31 50 mbar</b>
<b>brûleur 7,5 kW</b>						
Diamètre brûleur 1/100mm	220	290	230	135	125	120
Paramètres de contrôle de l'air (mm)	3	3	3	3	3	3
La consommation de gaz	0,922 m³/h	1,102 m³/h	0,968 m³/h	0,583 kg/h	0,583 kg/h	0,583 kg/h
<b>brûleur 4,5 kW</b>						
Diamètre brûleur 1/100mm	165	215	175	105	100	90
Paramètres de contrôle de l'air (mm)	6	6	6	6	6	6
La consommation de gaz	0,553 m³/h	0,661 m³/h	0,581 m³/h	0,350 kg/h	0,350 kg/h	0,350 kg/h
<b>brûleur pilote</b>						
Diamètre brûleur 1/100mm	40	40	40	20	20	20
<b>brûleur 6 kW FOUR</b>						
Diamètre brûleur 1/100mm	195	260	205	125	115	110
Paramètres de contrôle de l'air (mm)	13	13	13	13	13	13
La consommation de gaz	0,737 m³/h	0,882 m³/h	0,774 m³/h	0,466 kg/h	0,466 kg/h	0,466 kg/h
<b>brûleur pilote FOUR</b>						
Diamètre brûleur 1/100mm	36	36	36	13	13	13

## CONTROLE DE L'EMBALLAGE ET DE L'APPAREIL

En vue de son transport, l'appareil quitte les établissements du fabricant parfaitement emballé (sur l'emballage sont apposés les étiquettes et les symboles nécessaires à cet effet). L'emballage contient également la notice des instructions d'utilisation. Dans le cas où l'emballage présenterait des dommages ainsi que dans le cas où il s'avérerait qu'il a été manipulé sans les précautions nécessaires, il est impératif d'adresser sans attendre une déclaration au transporteur en y joignant une acceptation de la marchandise sous réserve.

### **Recommandation importante:**

-Le produit est destiné uniquement à un usage intérieur.

N'utilisez jamais cet appareil si le cordon ou la fiche sont endommagés, si l'appareil fait défaut, s'il a été échappé ou endommagé ou immergé. Dans ce cas, retournez cet appareil au centre service autorisé pour examen.

- Pour usage professionnel seulement
- La présente notice des instructions d'utilisation et d'entretien contient d'importantes informations relatives à la sécurité, à l'installation et à l'utilisation; il est nécessaire d'en effectuer attentivement la lecture.
- Les recommandations se réfèrent à l'appareil objet de la présente notice.
- L'appareil est conforme aux normes en vigueur.
- Veiller à bien conserver la notice de telle sorte qu'elle puisse être consultée à tout moment en cas de besoin.
- Ne pas laisser des enfants s'approcher de l'appareil durant son utilisation.
- Pendant la vente ou après le déménagement de l'appareil vérifier que le personnel lise attentivement la présente notice d'utilisation
- L'appareil ne peut être utilisé que par le personnel instruit
- L'appareil ne peut être laissé en marche sans surveillance
- Il est recommandé de faire l'appareil contrôler au moins une fois par an dans un service spécialisé
- Ne pas utiliser que des pièces détachées originelles.
- En cas de défaut ou de mauvaise fonction, débrancher l'appareil (eau, gaz, électricité) et appeler un service spécialisé
- Le fabricant décline toute responsabilité en cas de dommages, directs ou indirects, causés par une mauvaise installation, utilisation, etc

## LA LOCATION

Le local dans lequel l'appareil est installé doit être bien ventilé. Si l'appareil doit toucher le parois, celui-ci doit résister à la chaleur de 90°C au minimum. L'installation, le réglage et la mise en marche doivent être effectués par une personne qualifiée ayant une autorisation nécessaire selon les normes en vigueur.

Déballez l'appareil et vérifiez s'il n'était pas endommagé pendant le transport. Placez l'appareil sur une surface horizontale (pente maximale de 2°). Placez l'appareil sous une hotte pour éliminer la vapeur et mauvaise odeur.

L'appareil peut être installé seul ou en série avec d'autres appareils de notre fabrication. Il faut respecter la distance minimale de 10 cm entre l'appareil et d'autres objets ainsi qu'éviter le contact avec les matériaux inflammables. Dans ce cas il faut prévoir les arrangements nécessaires pour assurer la protection des parties inflammables.

# INSTRUCTIONS TECHNIQUES POUR INSTALLATION ET REGLEMENT

## Important:

Le fabricant ne fournit pas de garantie pour les défauts causés par l'usage, tout manquement impropre aux instructions contenues dans les instructions ci-jointes pour l'utilisation et aux mauvais traitements des appareils.

Installation, réglage et réparation d'appareils pour les cuisines, ainsi que leur élimination en raison de dommages possibles au gaz peut être effectuée qu'en vertu d'un contrat de maintenance, ce contrat peut être signé avec un distributeur agréé, et doivent être conformes à la réglementation technique et normes et réglementations concernant l'installation, l'alimentation, de raccordement de gaz et de la santé et la sécurité du système.

Ces instructions sont destinées au technicien qualifié qui doit effectuer l'installation, le mettre en marche et tester l'appareil.

Toute activité en tant que paramètres, le placement, le rééquilibrage etc, doit être faite que lorsqu'il est périphérique déconnecté de l'électricité. Si il est nécessaire d'avoir le périphérique connecté à l'électricité, vous devez garder la plus grande attention afin d'éviter toute blessure.

## MÉSURES DE SÉCURITÉ POUR LA PROTECTION CONTRE INCENDIE SELON EN 06 1008 ARTICLE 21:

- l'appareil ne peut être utilisé que par des personnes majeures
- l'appareil peut être utilisé dans un espace ordinaire selon EN 332000-4-482; 332000-4-42
- l'appareil doit être placé ou suspendu d'une manière stable sur une surface ininflammable

Il est interdit de placer sur l'appareil ou dans la distance inférieure à 10 cm de l'appareil des objets inflammables.

- les distances de sécurité pour les matériaux inflammables selon leurs degré d'inflammabilité et les informations sur l'inflammabilité des matériaux de construction – voir le tableau

### Tableau:

degré d'inflammabilité d'un matériel de construction (EN 730823)

A ininflammables	granit, grès, béton, briques, carrelage céramique, enduit
B difficilement inflammables	acumin, héraclite, lihnos, itaver
C1 mal inflammables	bois des arbres feuillus, contre-plaqué, papier durci, umakart
C2 inflammabilité moyenne	aggloméré, solodur, liège, caoutchouc, revêtements
C3 inflammabilité facile	planches de fibre de bois, polystyrène, polyurethane, PVC

L'appareil doit être installé d'une manière sûre. Pour l'ajustage de l'appareil est ce-ci procuré des pieds réglables.

- EN 06 1008 protection contre incendie des consommateurs d'énergie locaux et des émetteurs de chaleur
- EN 33 2000 (33 2000-4-482; 33 2000-4-42) le milieu pour les appareil électriques

## TUYAU D'AMENÉE DU GAZ

Il faut d'abord déterminer si l'appareil est fait pour le même type de gaz qui sera utilisé et est donc conforme aux indications figurant sur l'étiquette du type de gaz utilisé.

La conversion de la poêle à gaz à un autre type de gaz, vous devez vérifier si elle correspond au type de palier à gaz, ce qui est recommandé dans ce guide.

Connexion de l'appareil à la distribution de gaz doit être tractable à un tube d'acier ou de cuivre se conformer aux exigences applicables nationales. Ce doit être contrôlée sur une base régulière et changé si nécessaire. Chaque appareil doit être équipé d'un robinet d'arrêt et rapide robinet d'arrêt. Rapide robinet d'arrêt doit être librement accessible et à portée de main de l'appareil. Après l'installation, est nécessaire pour vérifier s'il ya une fuite de gaz. Pour trouver une fuite de gaz, vous pouvez utiliser de l'eau savonneuse ou un spray pour la détection de fuite de gaz.

Ne pas utiliser de substances corrosives! Tous nos appareils sont soigneusement contrôlés. Type de gaz, la pression et des catégories énumérées le nom figure sur la plaque de l'information technique.

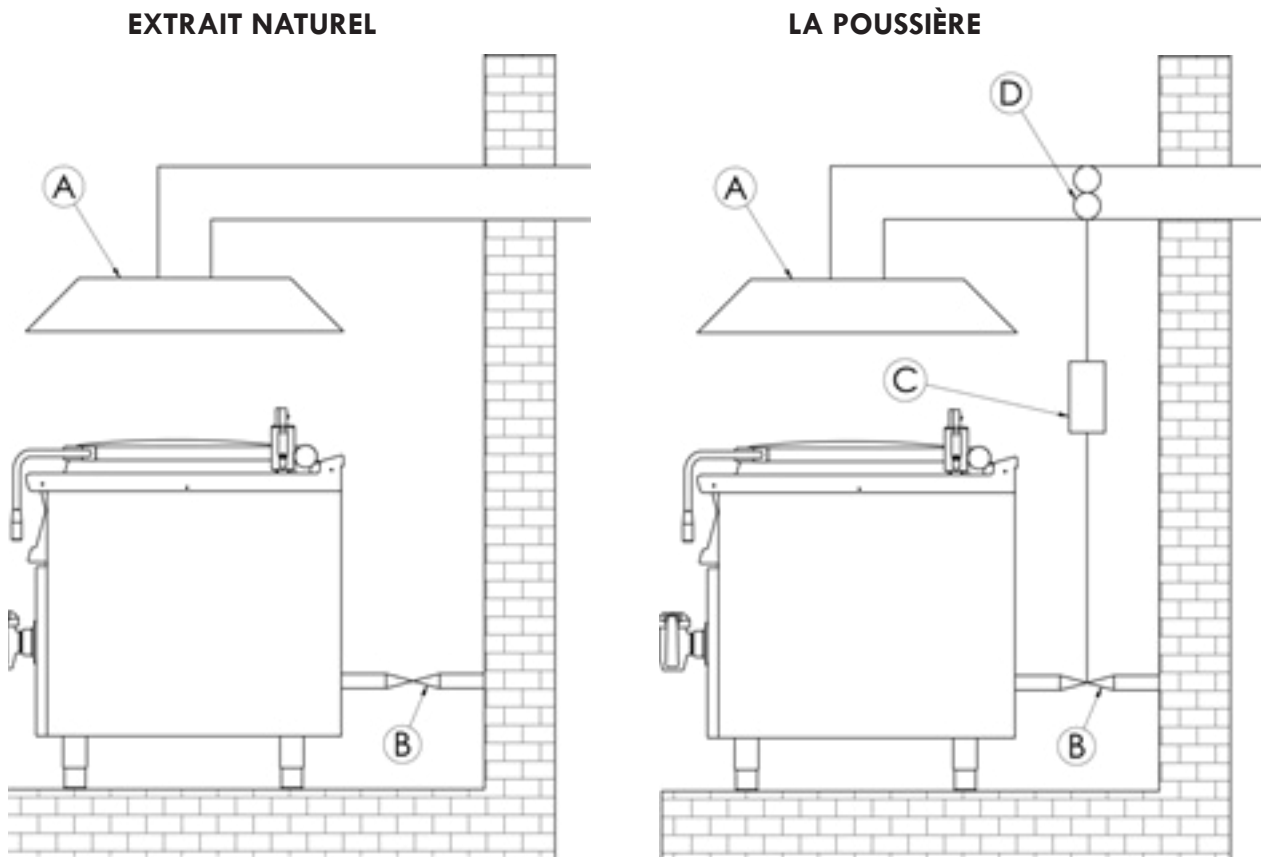
Raccordement au gaz liquide:

La pression de gaz pour le raccordement de liquide doit être 28 ou 30 mbar pour le propane / butane et 37 mbar pour le propane. Il est nécessaire de vérifier l'étiquette technique, d'évaluer la pression et vérifier les paramètres de la buse est installé avec les paramètres requis de la buse selon les indications du fabricant. Si la pression est inférieure à 25mbar ou supérieure à 37 mbar, l'appareil doit ne pas être connecté.

Raccordement au gaz:

Pression pour la connexion du méthane doit être 18 ou 20 mbar. Il est nécessaire de vérifier l'étiquette technique, d'évaluer la pression et vérifier les paramètres de la buse est installé avec les paramètres requis de la buse selon les indications du fabricant. Si la pression du gaz est inférieure à 15mbar ou supérieur à 22,5 mbar, l'appareil doit ne pas être connecté.

# CHEMINÉE POUR LA CONCEPTION D'UN DISPOSITIF DE TYPE A



Hotte aspirante avec extraction naturelle (A). Gaz de combustion fournit un tirage de la cheminée naturelle.

Bouchon à la sortie sans extraction naturelle. Des gaz de combustion est assurée par un ventilateur (D) (extraction forcée). Dans ce cas il faut assurer la connexion avec une alimentation en gaz (B) à l'alimentation en gaz en cas de défaillance.



## CHECK THE GAS TYPE THE DEVICE IS ADJUSTED FOR

Nos appareils sont certifiés et réglementée du gaz naturel (voir la plaque technique). Conversion ou l'adaptation à un autre type de gaz doit être effectuée par du personnel autorisé. Buses pour différents types de gaz sont dans un sac fourni avec la cuisinière à gaz et sont marqués en centièmes de mm (table des tuyaux de données techniques).

### Remplacement de la buse et de réglage de pression

Pour changer la buse du brûleur principal, veuillez suivre les instructions suivantes :

- 1) Retirer les boutons de commande du panneau frontal (fig.1, Note. 1)
- 2) Démontez le panneau frontal (fig.1, Note. 2)
- 3) Pour faciliter l'accès, nous recommandons d'également démonter le panneau arrière (si possible) (fig.1, Note. 3)
- 4) Dévisser la buse du brûleur principal conformément à l'image 2 et la remplacer par la buse indiquée dans le tableau „CARACTÉRISTIQUES TECHNIQUES“.
- 5) Régler l'arrivée d'air en fonction du type de gaz conformément au tableau „CARACTÉRISTIQUES TECHNIQUES“.

Régler le brûleur pilote en desserrant la vis de sécurité avec une clé, puis dévisser la buse du brûleur pilote (fig.3, note 1) avec le ressort (fig.3, note 2,3) et la remplacer par une buse correspondant au type de gaz utilisé en respectant les instructions du tableau. Serrer le capot de la buse avec une clé et régler le mode « éco », voir texte ci-dessous.

### Important:

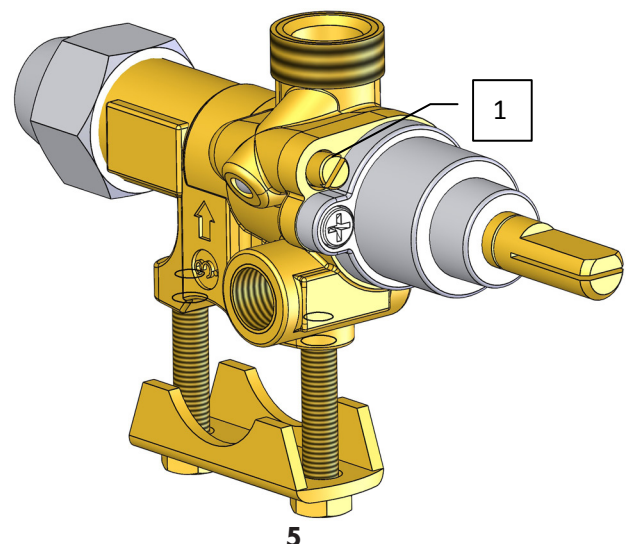
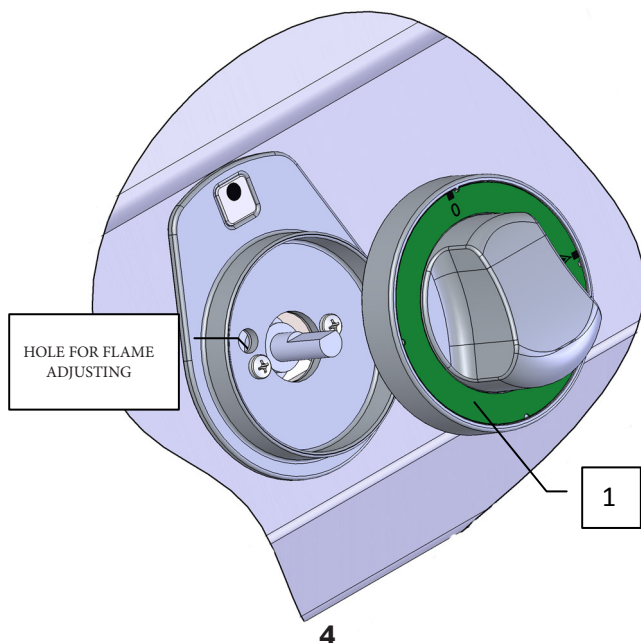
Après ce qui s'est fait ajuster l'appareil à un autre type de gaz, il est nécessaire de changer le gaz indiqué sur la plaque technique situé dans un endroit visible sur le dos de l'appareil.

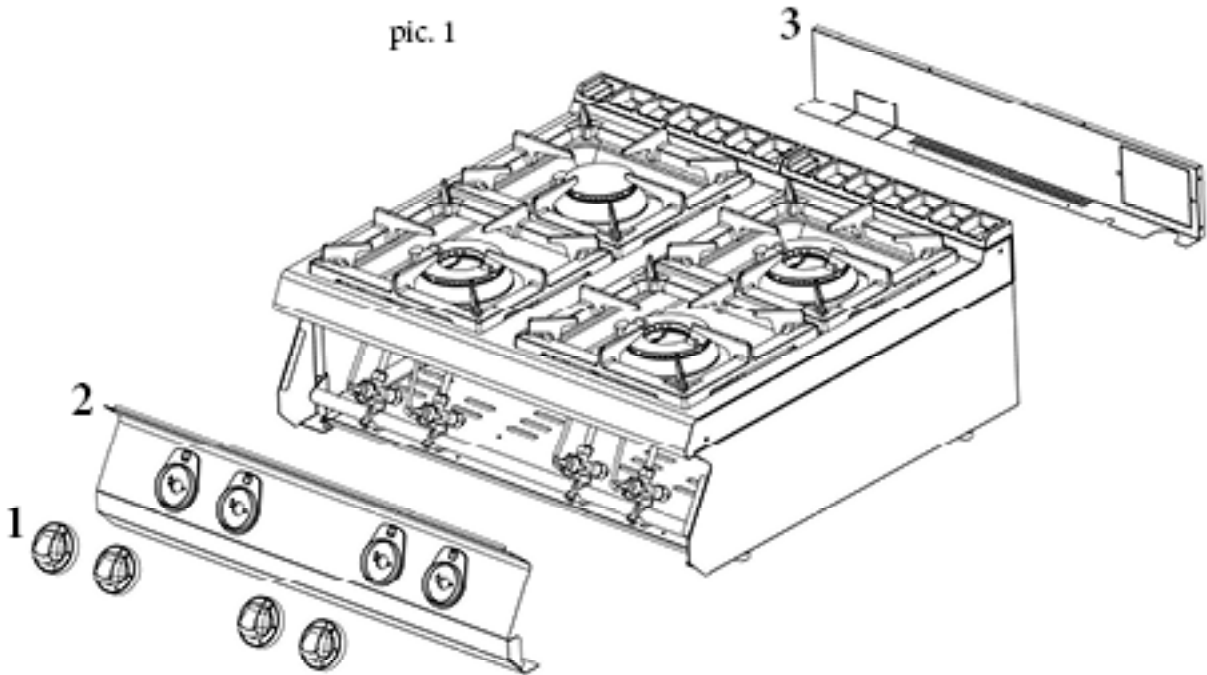
### Réglage de la flamme à la performance „ECONOMIE“ réduite

Flamme à la performance „ECONOMIE“ réduite, peut être réglée avec la vis placée dans le corps de la vanne (Note. 1, fig. 5) placée à côté de tige de soupape

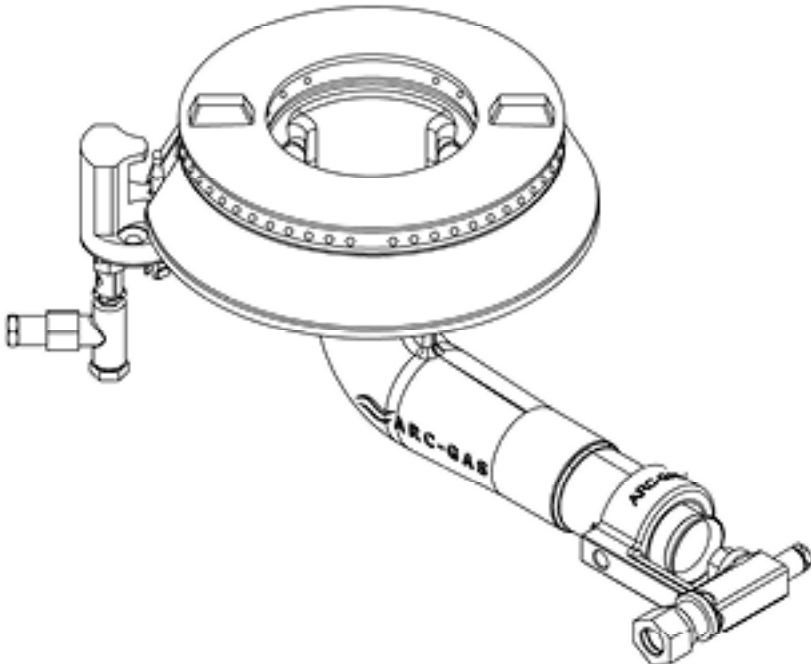
Pour le réglage, procédez comme suit:

- Retirer le bouton de commande (Note. 1, fig 4). Tirant vers vous
- Régler la flamme à travers le trou avec un tournevis plat

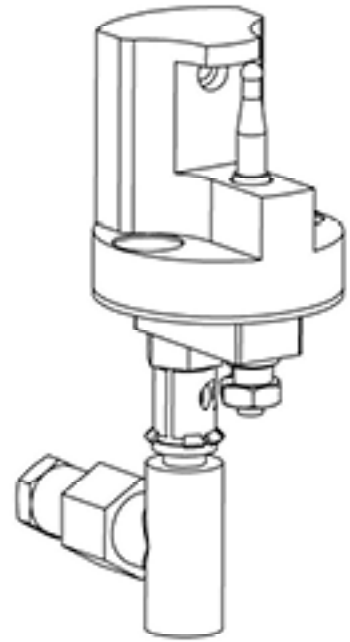




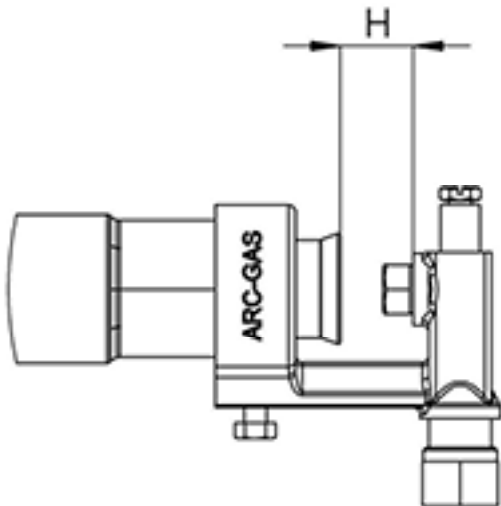
pic. 2



pic. 3



pic. 4



## CHANGEMENT DE BUSES ET RÉGLAGE BRÛLEUR \_ FOUR À GAZ (VOIR IMAGE CI-DESSOUS):

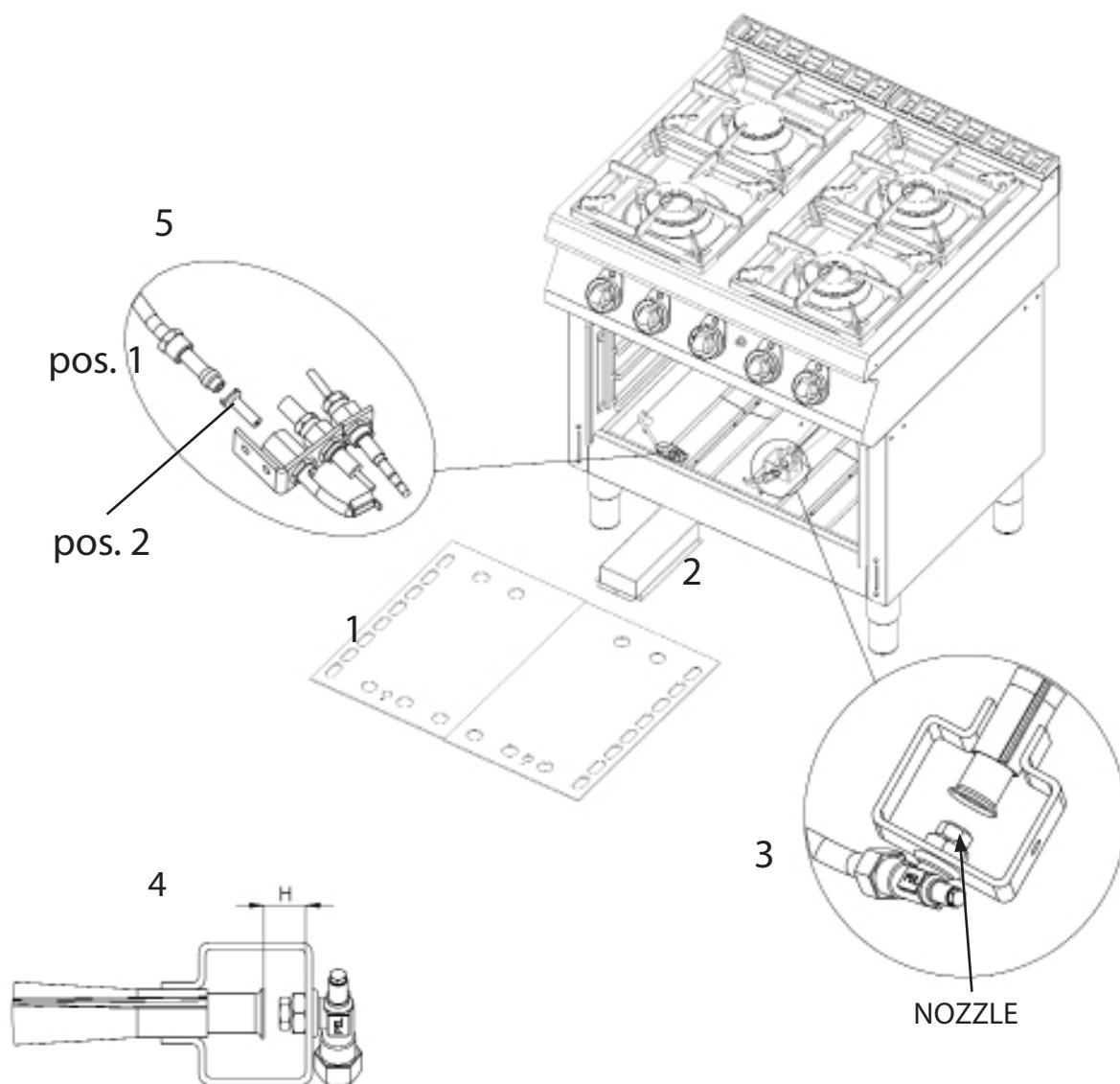
Lors du remplacement de la buse du brûleur du four merci procéder comme suit:

brûleur principal:

- 1) Ouvrez la porte du four et retirez le couvercle métallique (faux fond de la chambre inférieure).
- 2) Démontez le couvercle de entrée de brûleur (Fig. 1)
- 3) Dévissez la buse du brûleur principal conformément à l'image 3 et la remplacer par la buse indiquée dans le tableau „CARACTÉRISTIQUES TECHNIQUES“.
- 4) Régler l'arrivée d'air (Fig. 4) en fonction du type de gaz conformément au tableau „CARACTÉRISTIQUES TECHNIQUES“.

veilleuse:

- 1) Dévissez l'écrou (image 5, pos. 1)
- 2) Démontez le tube d'arrivée en cuivre du brûleur pilote.
- 3) Dévissez la buse du brûleur principal et remplacez-la par les buses selon le tableau « DONNÉES TECHNIQUES DES BRÛLEURS » (image 5, pos. 2).
- 4) Remontez le tube d'arrivée du brûleur pilote et serrez-le avec l'écrou (image 5, pos. 1).



## DESCRIPTION DE L'USAGE

### Allumage du brûleur principal et régulation de la puissance thermique : tab. 1, 2

Mettre le bouton du robinet (A) dans la position « l'allumage du brûleur principal », appuyer sur lui et tenir, appuyer plusieurs fois sur le bouton de l'allumeur piezo jusqu'à ce que le brûleur principal ne s'allume. Vous pouvez voir la flamme à travers le trou dans le panneau frontal. Tenez le bouton (A) encore pendant quelques secondes jusqu'à ce que la sonde thermique chauffe, puis lâchez le bouton. Si la flamme s'éteint, répétez le procédé.

### La flamme économique tab. 1, 2

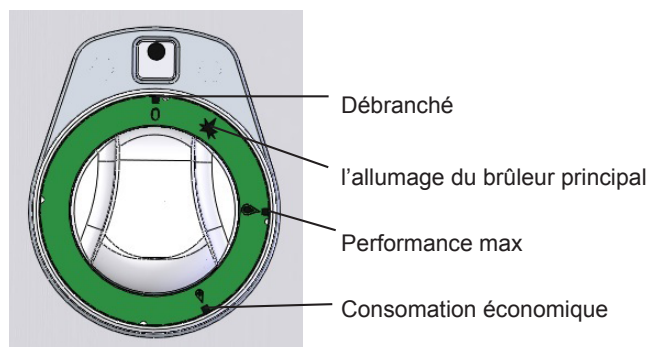
Mettez le bouton (A) dans la position « flamme économique », ainsi la flamme est réduite pour une consommation économique.

### Pour éteindre l'appareil tab. 1, 2

Mettez le bouton (A) dans la position « 0 ».



① BOUTON DE COMMANDE DU BRÛLEUR



## CONTRÔLE DE LA FOUR STATIQUE

Vous pouvez basculer le contrôleur dans des positions choisies pour la partie supérieure et inférieure des éléments chauffants dans le même temps (position 1), ou chauffage par le sol tout simplement (position 3) ou de chauffage supérieure (position 2). Ceci est indiqué par la LED verte. Tournez le bouton à la température désirée. Installations de chauffage par LED orange lorsque la lumière s'éteint est spécifié, le four est préchauffé à la température désirée. Éteindre le four en tournant les boutons à „0“.

## ALLUMAGE ET RÉGLAGE DU BRÛLEUR DU FOUR A GAZ

Pour l'allumage, tourner la commande vers la gauche en l'amenant de la position „0“ à la position ★ (voir figure); la maintenir enfoncée et appuyer sur le bouton marqué du symbole ⚡ jusqu'à ce que le four s'allume. A travers l'ouverture présente sur la sole du four, il est possible de contrôler la flamme; au bout de quelques secondes relâcher la commande. Dans le cas où la flamme s'éteint, répéter l'opération. Régler la commande pour obtenir la température voulue. Pour éteindre le four, tourner la commande vers la droite jusqu'à la position „0“.

## CONTRÔLE DE L'ÉTUVE À AIR

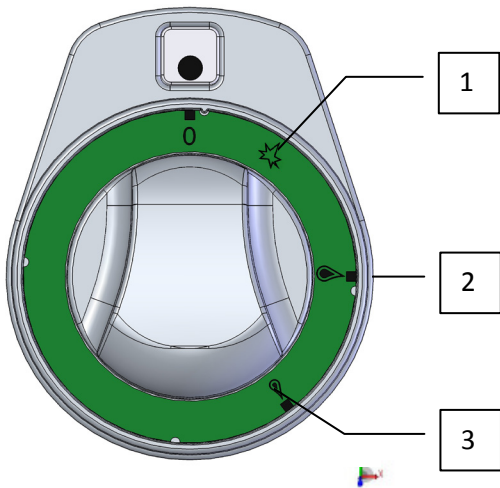
Tournez, tournez le bouton vers la droite, tournez le ventilateur. Ceci est indiqué par une LED verte. Puis tournez le bouton à la température désirée. Travail du chauffage se fait par la LED orange indique quand la lumière s'éteint, le four est préchauffé à la température désirée. Allumez le four vers la gauche dans le „0“ à la gauche.

**Attention!** Lorsque le four est allumé, la porte ne doit en aucun cas rester ouverte pour ne pas risquer de chauffer et d'endommager les commandes.

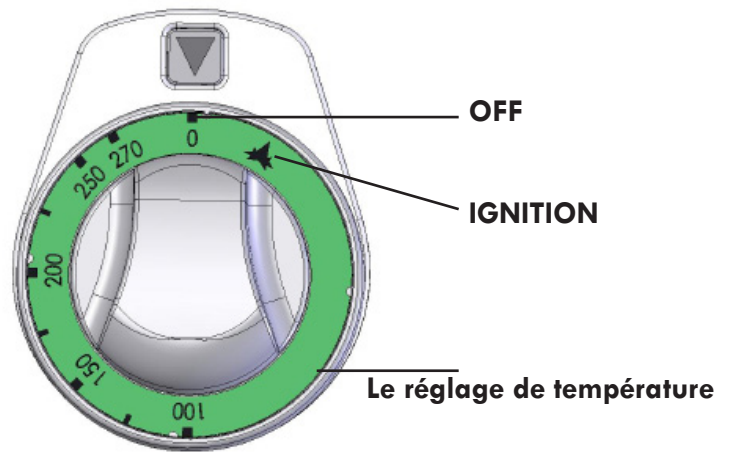


# CONTRÔLES

Bouton du brûleur

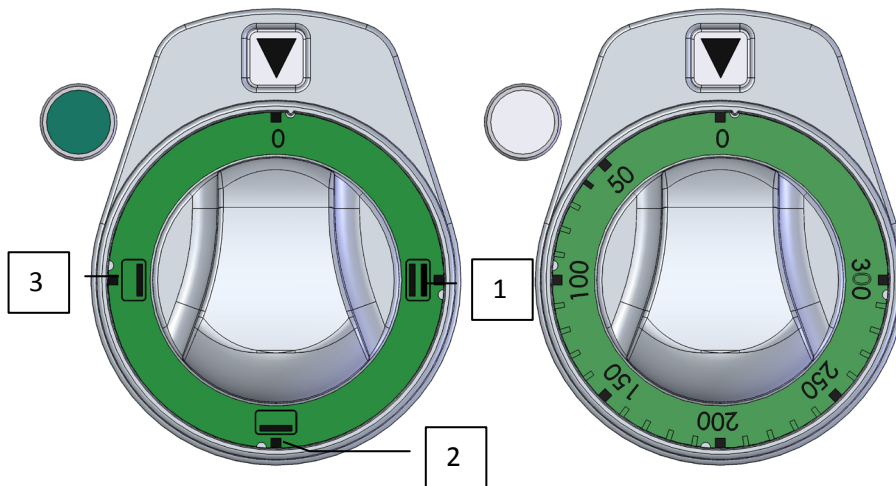


Bouton de réglage du four à gaz

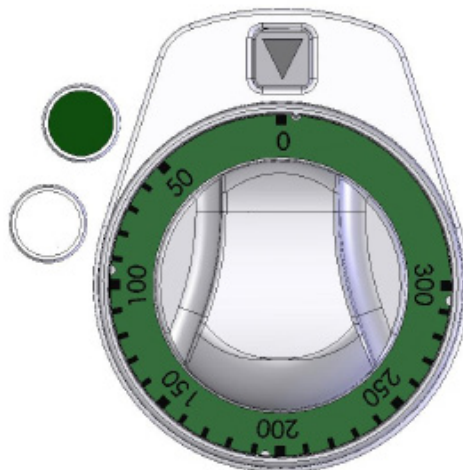


Switcher par four statique

Règlement bouton four statique



Règlement bouton Four à convection



## **NETTOYAGE ET ENTRETIEN**

Il est recommandé de faire contrôler l'appareil dans un service spécialisé au moins une fois par an. Toutes les interventions peuvent être effectuées seulement par une personne qualifiée ayant une autorisation pour ces interventions.

**ATTENTION !** L'appareil ne peut pas être nettoyé sous l'eau courante ou de pression. Nettoyer l'appareil chaque jour. Nettoyage quotidien prolonge la vie et le fonctionnement de l'appareil. Avant le nettoyage vérifier, si l'appareil est débranché. Toujours débrancher l'alimentation principale. Les pièces en inox nettoyer à l'aide d'un torchon humide et un détergent sans particules abrasives, rincer, sécher. Ne jamais utiliser les produits abrasifs ou corrosifs.

### **Comment procéder en cas de panne de l'appareil**

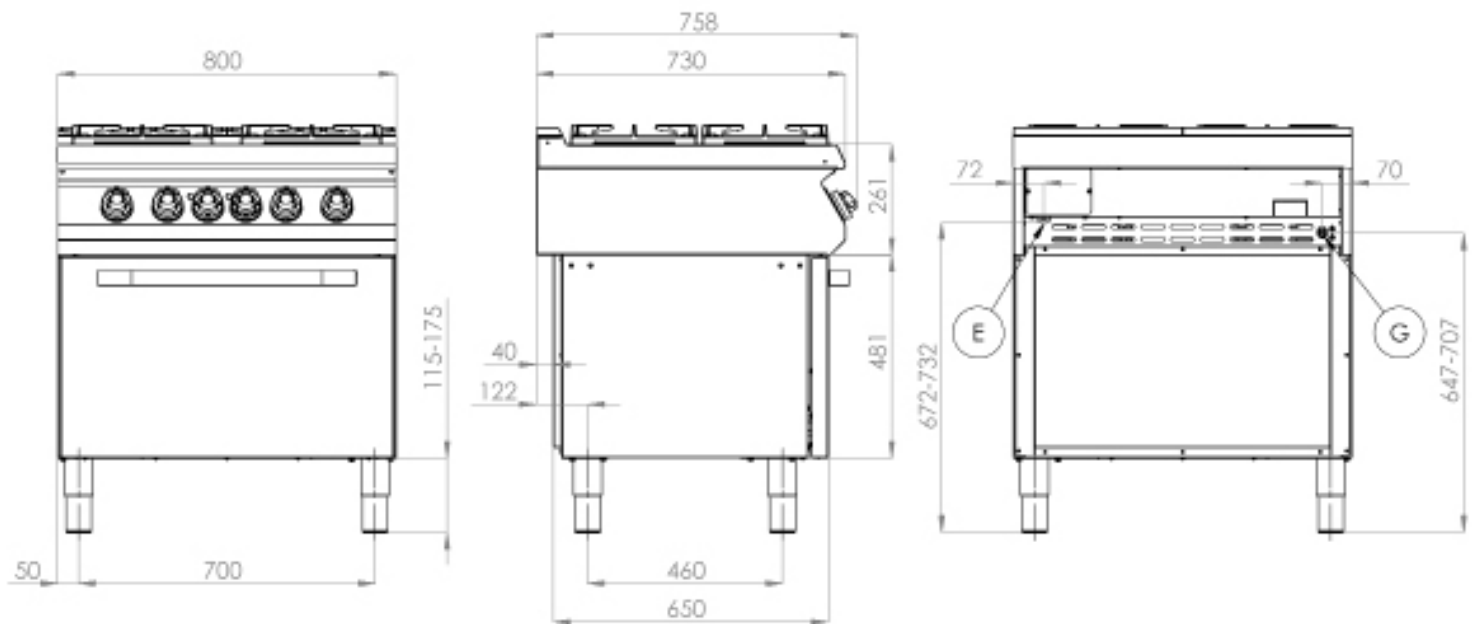
Débrancher l'appareil et appeler le service spécialisé.

### **AVERTISSEMENT:**

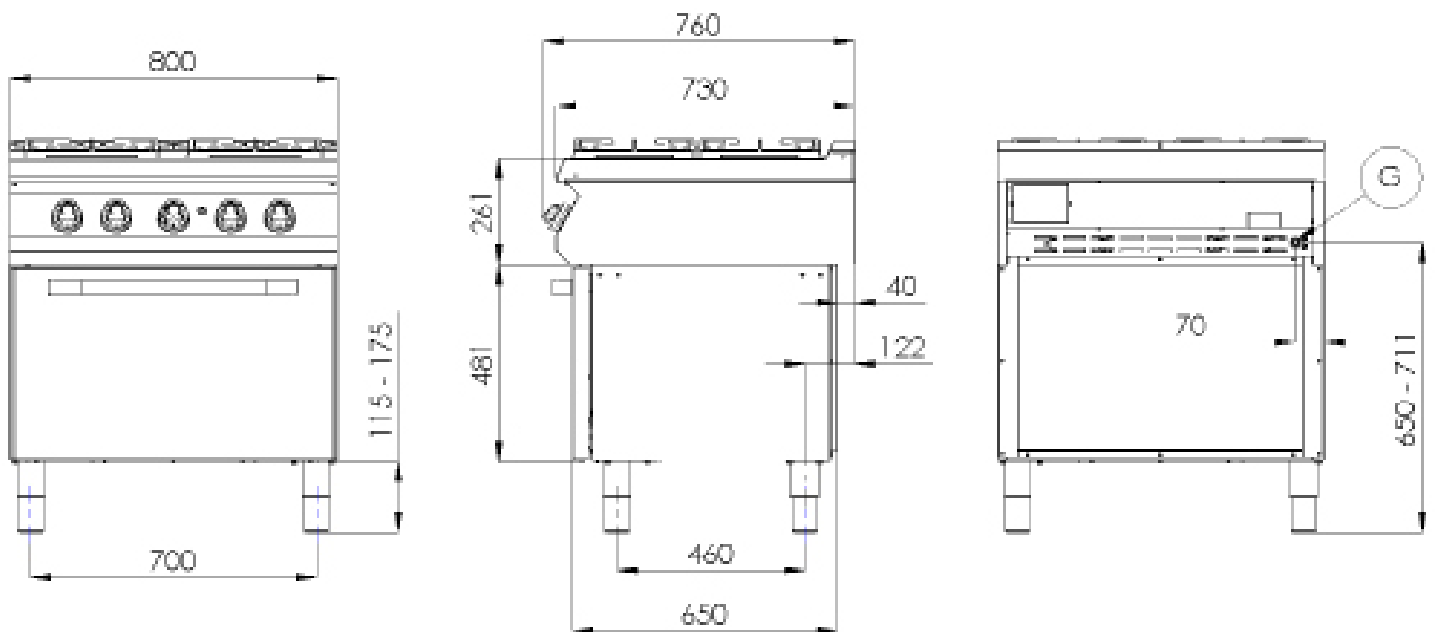
La garantie ne concerne pas les bourrelets en caoutchouc, bulbes, parties en verre et en plastique. Elle ne concerne également pas tout l'appareil si l'installation n'a pas été effectuée par une personne qualifiée, selon le mode d'installation ou selon les normes en vigueur ou si l'appareil n'a pas été utilisé selon le mode d'emploi, s'il y avait des interventions nonprofessionnelles (interventions à l'intérieur de l'appareil). La garantie ne concerne pas les endommagements causés par la pluie, vent, etc.

# DIMENSION PLANS / MASSSKIZZEN / DIMENSIONS

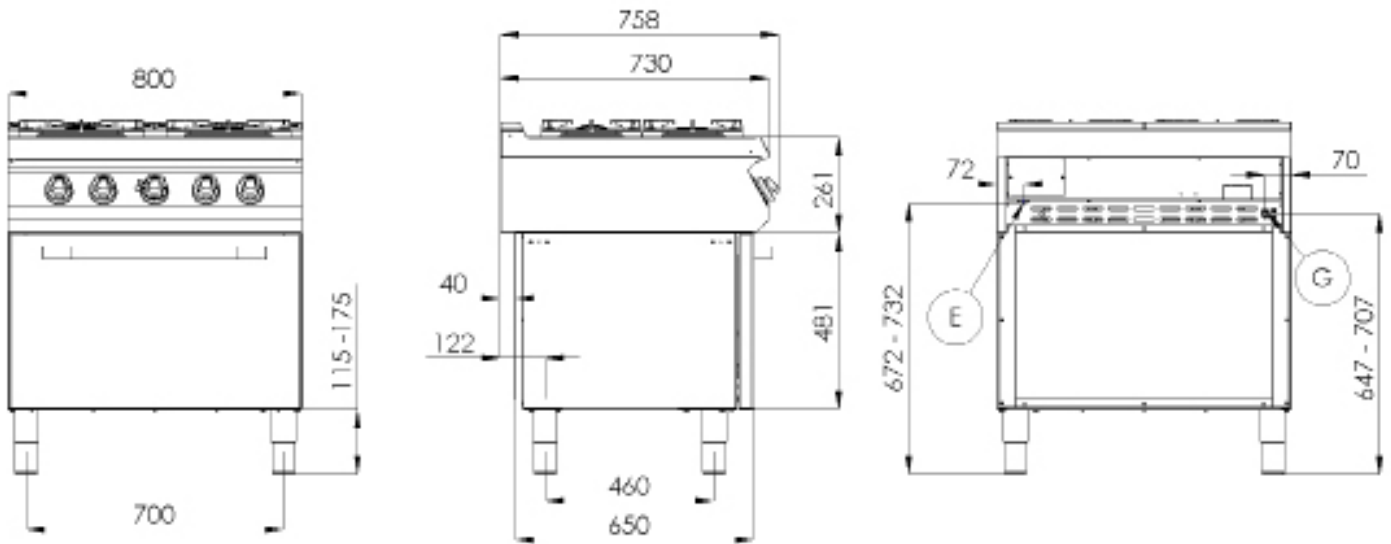
## SPT-780-21 GE



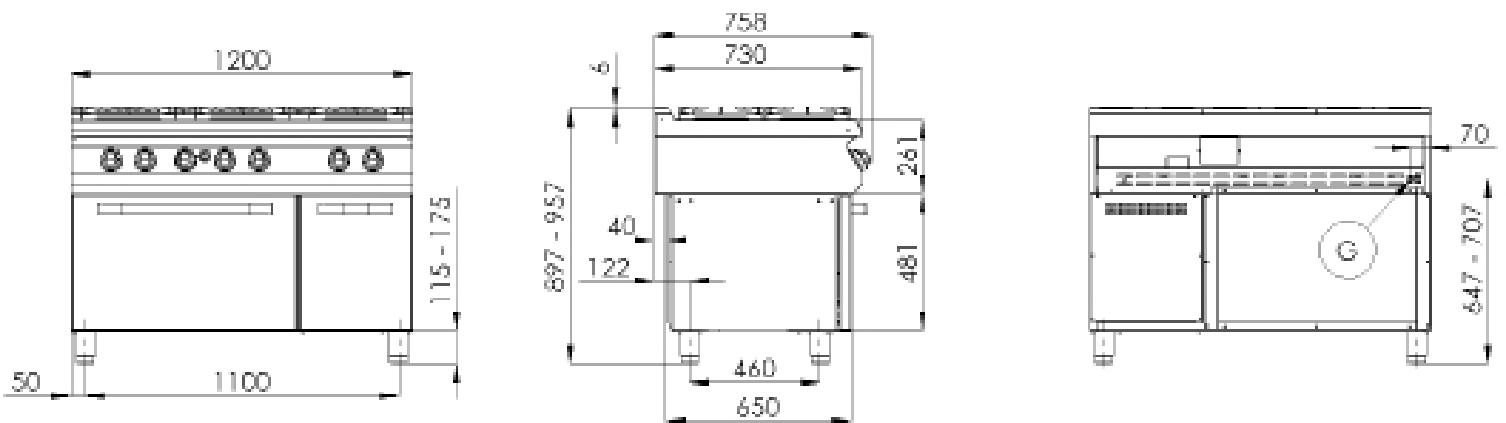
## SPT-780-21 G



## SPT-780-11 GE

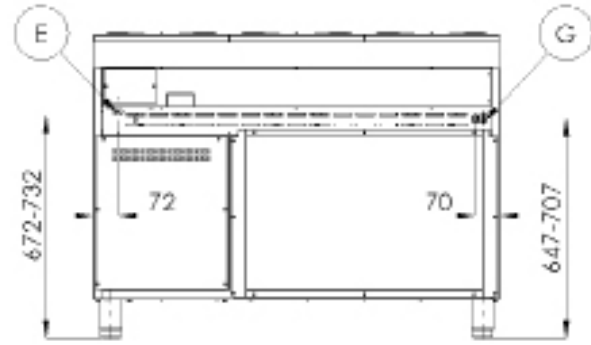
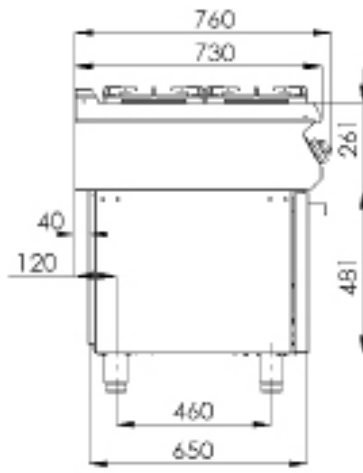
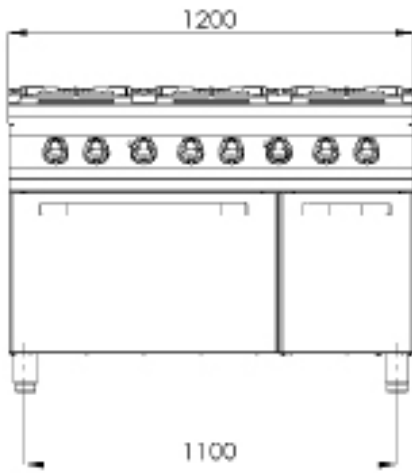


## SPT-7120-21 G

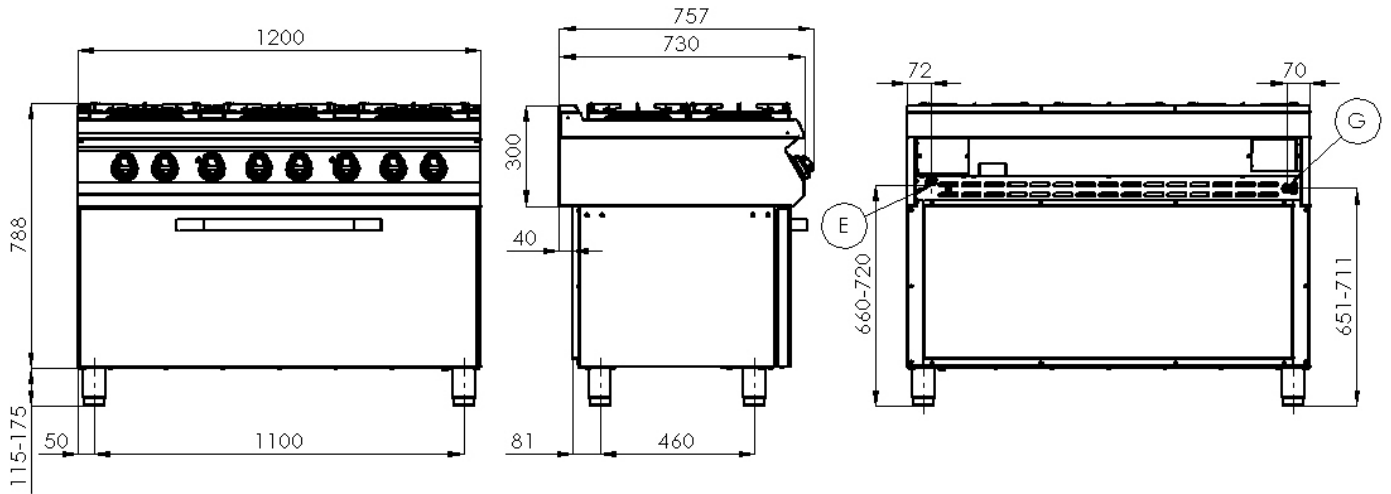




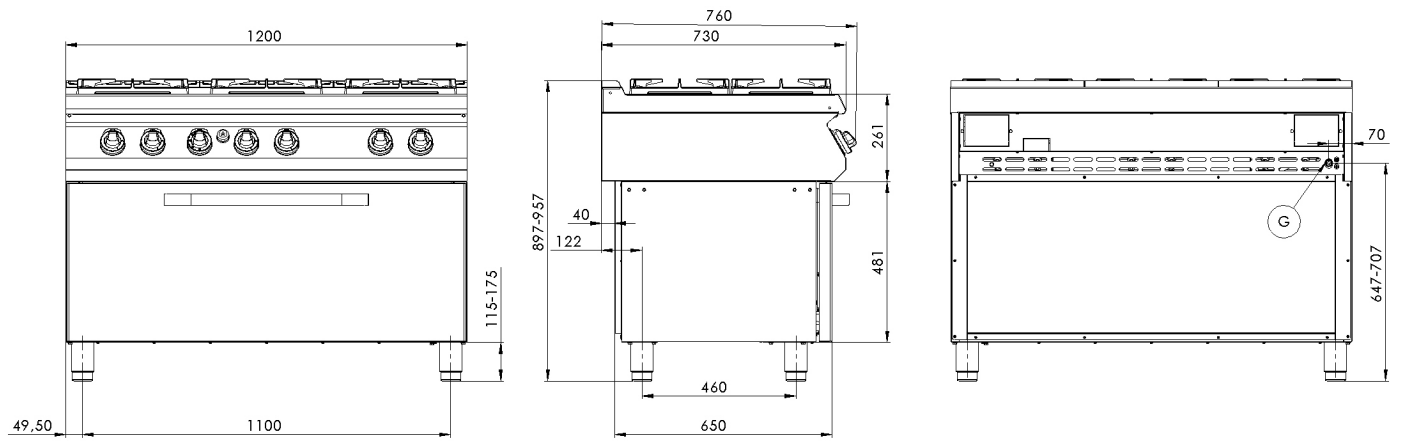
# SPT-7120-21 GE



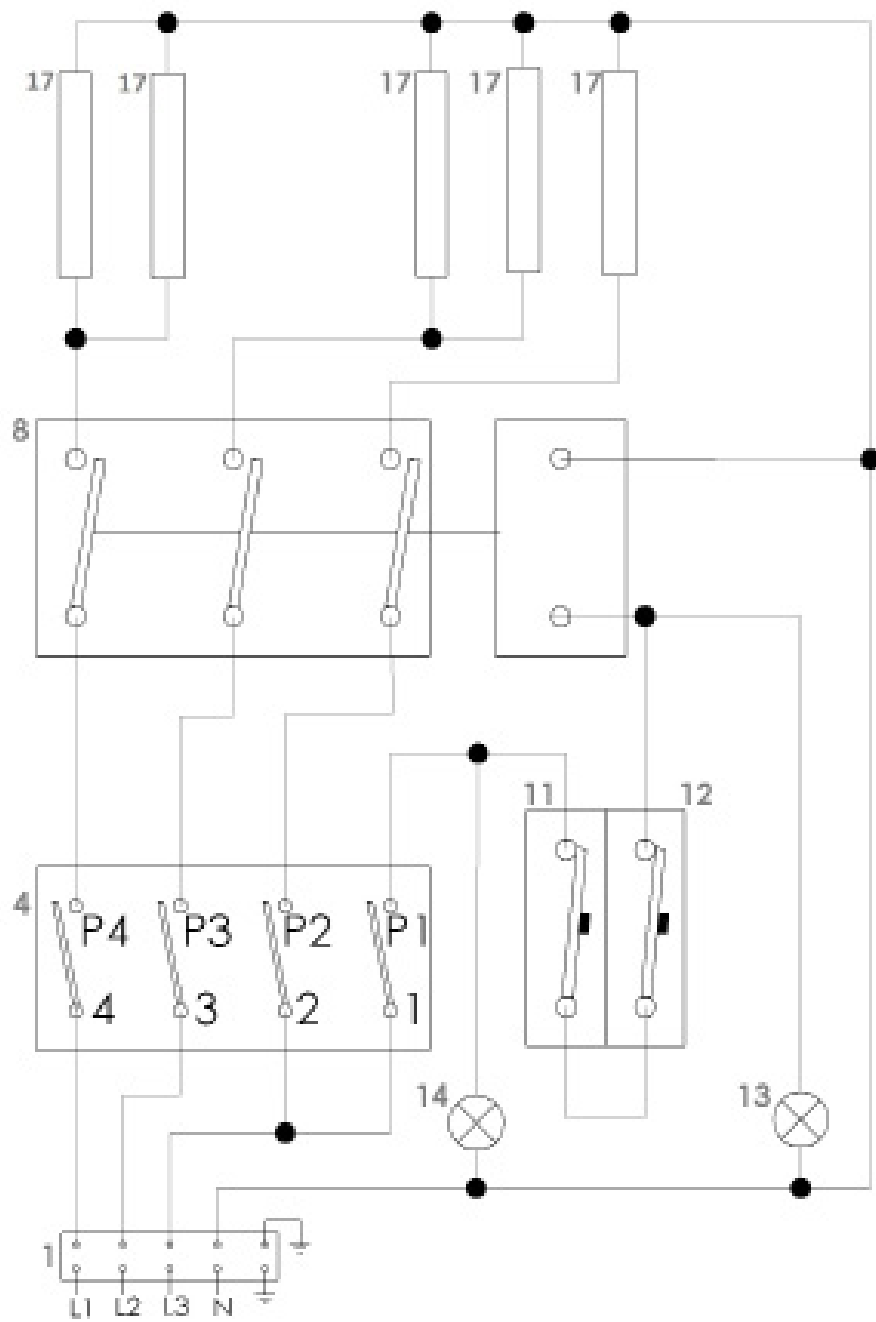
## SPT-7120-31 GE



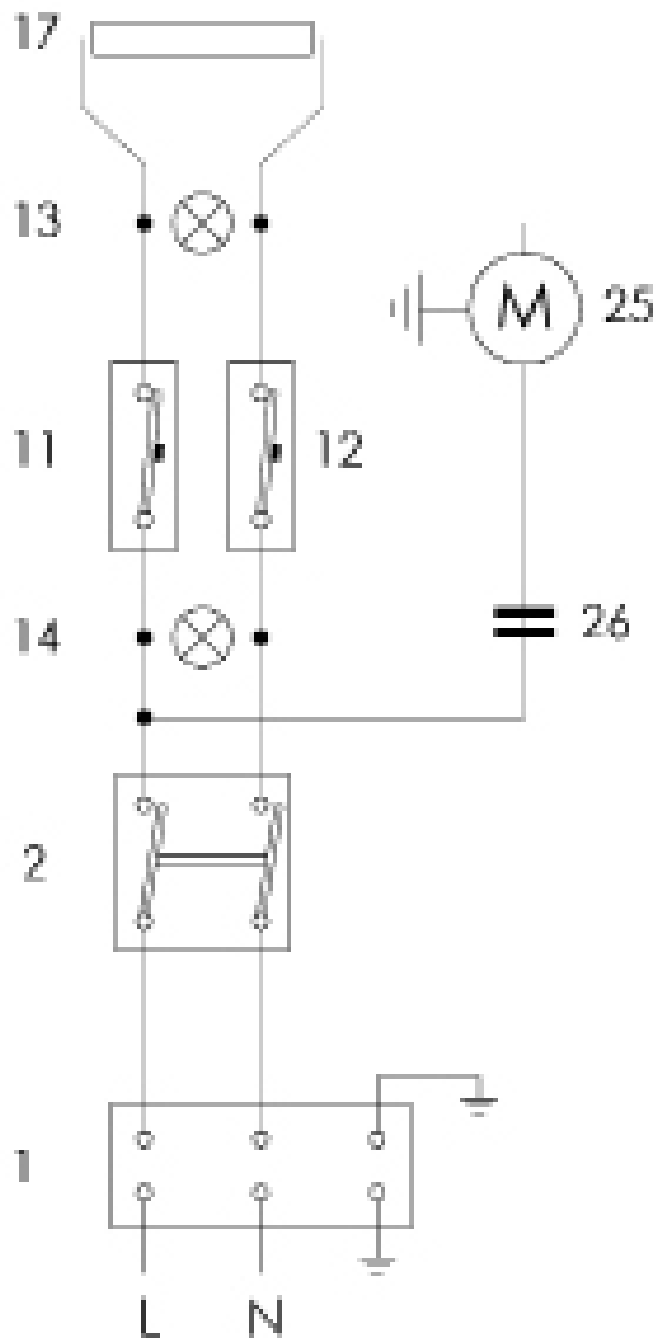
## SPT-7120-31 G



**EL. CONNECTION DIAGRAM / SCHALTPLAN / SCHÉMA DU ELECTRIQUE**  
**SPT-780-21 GE**

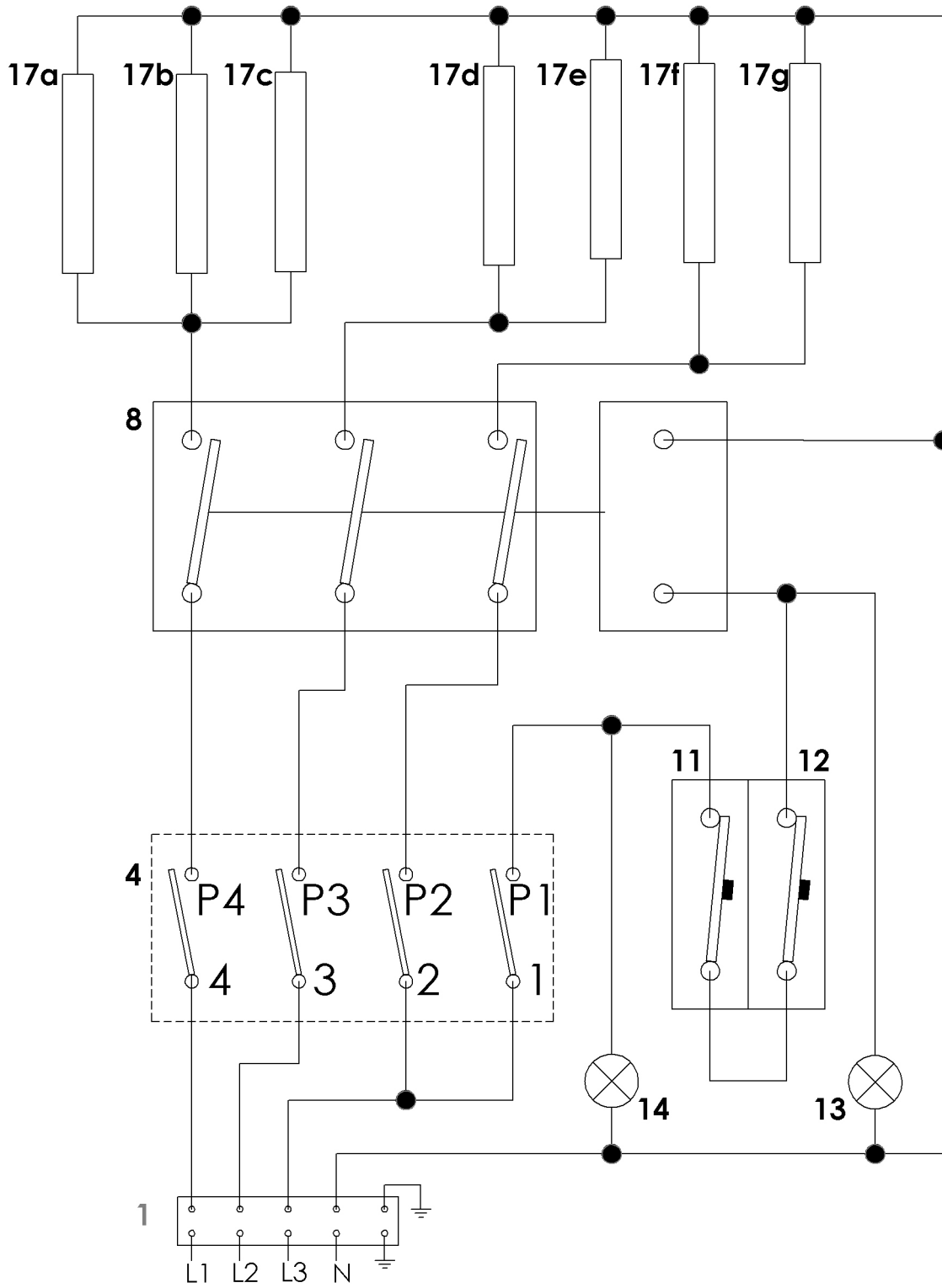


# SPT-780-11 GE

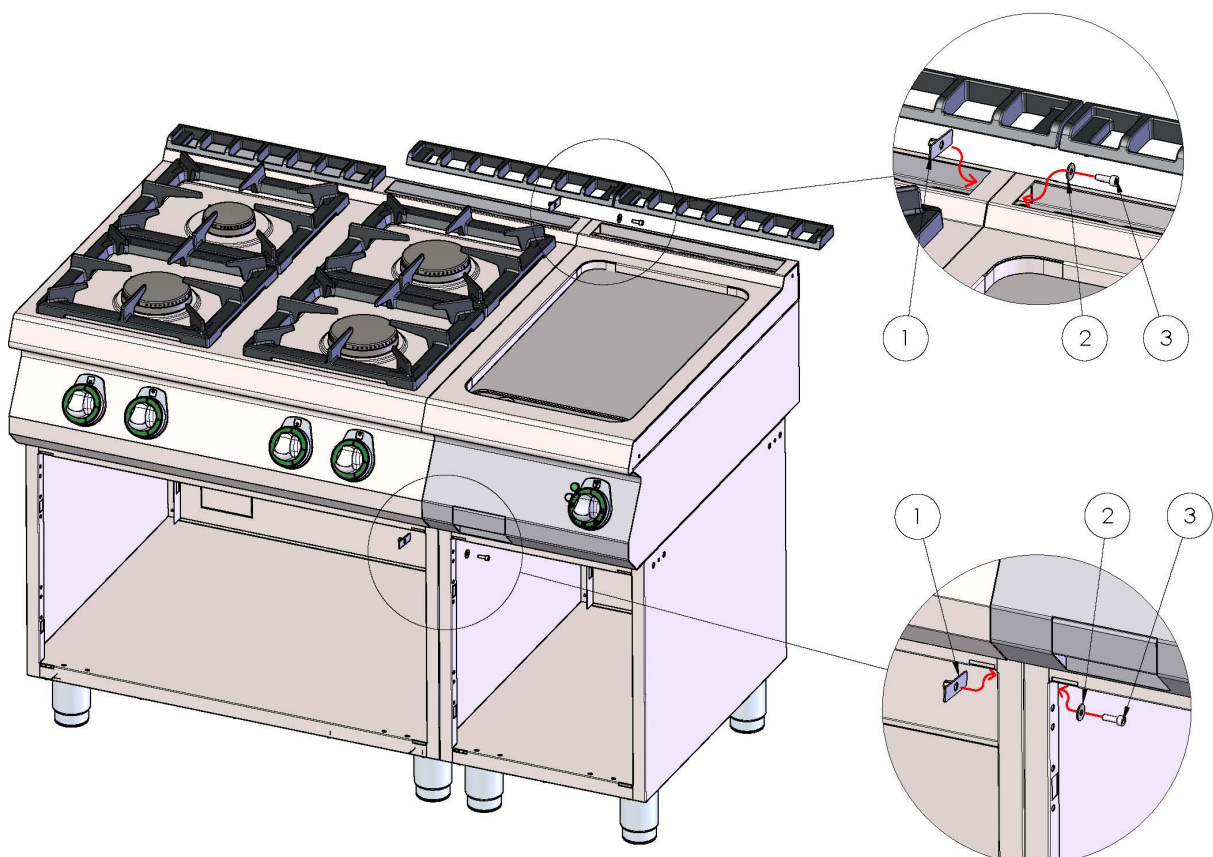
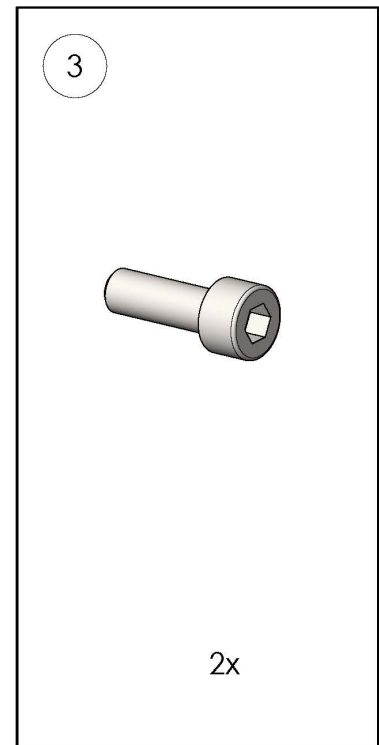
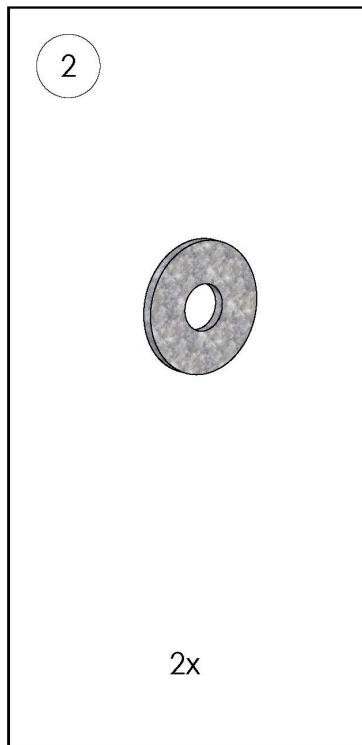
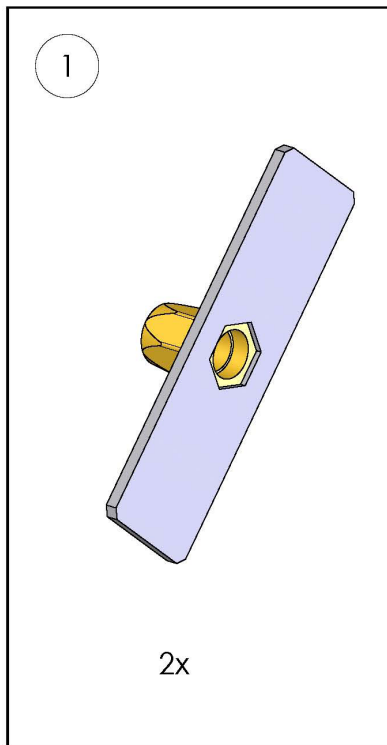


	 ENGLISH 	 DEUTSCH 	 FRANÇAIS 
1	TERMINAL	TERMINAL	TERMINAL
2	SWITCH O / I	SWITCH O / I	INTERRUPTEUR O / I
3	ILLUMINATED SWITCH O / I	BELEUCHTETE SWITCH O / I	INTERRUPTEUR ILLUMINÉ O / I
4	ROTARY SWITCH	SWITCH ROTARY	SWITCH ROTARY
5	PUSH BUTTON SWITCHES	DRUCKSCHALTER	BOUTON POUSSOIR
6	LIMIT SWITCH	ENDSCHALTER	LIMIT SWITCH
7	MICROSWITCH	MIKROSCHALTER	MICRO
8	RELAY	RELAY	RELAIS
9	RELAY CONTACTS	RELAISKONTAKTE	CONTACTS DE RELAIS
10	TIMER	TIMER	TIMER
11	OPERATING THERMOSTAT	THERMOSTAT WORK	TRAVAIL DU THERMOSTAT
12	SAFETY THERMOSTAT	SICHERHEIT THERMOSTAT	THERMOSTAT DE SÉCURITÉ
13	WHITE LIGHT	WEISSLICHT	L'ORANGE
14	GREEN LIGHT	GRÜNES LICHT	LE VERT
15	DIODE	DIODE	DIODE
16	INTERIOR LIGHT	INNENLEUCHTEN	ECLAIRAGE INTERIEUR
17	HEATING ELEMENT	HEIZELEMENT	ELEMENT DE CHAUFFAGE

# SPT-7120-31 GE



# connection modules/ Anschlussmodule/ les modules de connexion



## PROHLÁŠENÍ O SOULADU S NORMAMI

Výrobce prohlašuje, že přístroje jsou v souladu se směrnicí evropského parlamentu a rady 2009/142/ES (nařízením vlády 22/2003), zákonem č.22/1997 Sb. a č. 258/2000 Sb. o ochraně veřejného zdraví, vyhláškou č. 38/2001 Sb. a příslušnými nařízeními vlády. Instalace musí být uskutečněna s ohledem na platné normy.

Výrobce prohlašuje, že přístroje splňují základní požadavky směrnice 2004/108/ES (nařízení vlády č. 616/2006 Sb.) a požadavky směrnice 2006/95/ES (nařízení vlády č. 17/2003 Sb.).

Pozor, výrobce se vzdává jakékoli odpovědnosti v případě přímých i nepřímých poškození, které se vztahují ke špatné instalaci, nesprávným zásahem nebo úpravami, nedostatečnou údržbou, nesprávným používáním, a které jsou eventuálně způsobeny jinými příčinami, jež uvádí body uvedené v podmínkách prodeje. Tento spotřebič je určen pouze pro odborné používání a musí být obsluhováno kvalifikovanými osobami. Části, které byly po nastavení zajištěny výrobcem nebo pověřeným pracovníkem, nesmí uživatel přestavovat.

## TECHNICKÁ DATA

Štítek s technickými údaji je umístěn na zadní části přístroje. Před instalací si prostudujte elektrické schéma zapojení a všechny následující informace.

Typ výrobku	Výkon trouby (kW)	Přívodní napětí (V/Hz)	Výkon hořáků (kW)	Rozměry výrobku (mm)	Hmotnost výrobku (kg)	IP krytí
SPT-780-21 GE	6,3 kW (elektrická)	400/3N/50	3x 7,5kW + 1x 4,5 kW	800 x 750 x 933 v	94	24
SPT-780-21 G	6 kW (plynová)	-	3x 7,5kW + 1x 4,5 kW	800 x 750 x 933 v	98	-
SPT-780-11 GE	3,13kW (horkovzduch)	230/50	3x 7,5kW + 1x 4,5 kW	800 x 750 x 933 v	84	24
SPT-7120-21 GE	6,3 (elektrická)	400/3N/50	4x 7,5kW + 2x 4,5 kW	120x73x90 h	139	24
SPT-7120-21 G	6 (plynová)	-	4x 7,5kW + 2x 4,5 kW	120x73x90 h	150	-
SPT-7120-31 GE	8,7 (elektrická)	400/3N/50	4x 7,5kW + 2x 4,5 kW	120x73x90 h	155	
SPT-7120-31 G	10,5 (plynová)	-	4x 7,5kW + 2x 4,5 kW	120x73x90 h	166	-

# TECHNICKÁ DATA HOŘÁKŮ

Data	Druh plynu						
	<b>G30 28-30 mbar</b>	<b>G30 37 mbar</b>	<b>G30 50 mbar</b>	<b>G20 20 mbar</b>	<b>G25 25 mbar</b>	<b>G25 20 mbar</b>	<b>G20 25 mbar</b>
<b>Hořák 7,5 kW</b>							
Tryska (1/100mm)	135	125	120	205	215	225	190
Přívod vzduchu H=mm	otevřen	otevřen	10	3	3	3	3
Spotřeba plynu	0,591 kg/h	0,591 kg/h	0,591 kg/h	0,794 m <sup>3</sup> /h	0,923 m <sup>3</sup> /h	0,923 m <sup>3</sup> /h	0,794 m <sup>3</sup> /h
<b>Hořák 4,5 kW</b>							
Tryska (1/100mm)	105	100	90	150	160	170	145
Přívod vzduchu H=mm	otevřen	otevřen	6	6	6	6	6
Spotřeba plynu	0,355 kg/h	0,355 kg/h	0,355 kg/h	0,476 m <sup>3</sup> /h	0,554 m <sup>3</sup> /h	0,554 m <sup>3</sup> /h	0,476 m <sup>3</sup> /h
<b>Hořák 6 kW (trouba)</b>							
Tryska (1/100mm)	125	115	110	180	195	205	175
Přívod vzduchu H=mm	13	13	13	13	13	13	13
Spotřeba plynu	0,473 kg/h	0,473 kg/h	0,473 kg/h	0,635 m <sup>3</sup> /h	0,738 m <sup>3</sup> /h	0,738 m <sup>3</sup> /h	0,635 m <sup>3</sup> /h
<b>Pilotní hořák sporáku</b>							
Tryska (1/100mm)	20	20	20	40	40	40	40
<b>Pilotní hořák trouby</b>							
Tryska (1/100mm)	13	13	13	36	36	36	36

Data	Druh plynu					
	<b>G25.1 25 mbar</b>	<b>G2.350 13 mbar</b>	<b>G27 20 mbar</b>	<b>G31 30-37 mbar</b>	<b>G31 37 mbar</b>	<b>G31 50 mbar</b>
<b>Hořák 7,5 kW</b>						
Tryska (1/100mm)	220	290	230	135	125	120
Přívod vzduchu H=mm	3	3	3	3	3	3
Spotřeba plynu	0,922 m <sup>3</sup> /h	1,102 m <sup>3</sup> /h	0,968 m <sup>3</sup> /h	0,583 kg/h	0,583 kg/h	0,583 kg/h
<b>Hořák 4,5 kW</b>						
Tryska (1/100mm)	165	215	175	105	100	90
Přívod vzduchu H=mm	6	6	6	6	6	6
Spotřeba plynu	0,553 m <sup>3</sup> /h	0,661 m <sup>3</sup> /h	0,581 m <sup>3</sup> /h	0,350 kg/h	0,350 kg/h	0,350 kg/h
<b>Hořák 6 kW (trouba)</b>						
Tryska (1/100mm)	195	260	205	125	115	110
Přívod vzduchu H=mm	13	13	13	13	13	13
Spotřeba plynu	0,737 m <sup>3</sup> /h	0,882 m <sup>3</sup> /h	0,774 m <sup>3</sup> /h	0,466 kg/h	0,466 kg/h	0,466 kg/h
<b>Pilotní hořák sporáku</b>						
Tryska (1/100mm)	40	40	40	20	20	20
<b>Pilotní hořák trouby</b>						
Tryska (1/100mm)	36	36	36	13	13	13



# ZÁKLADNÍ INFORMACE K PLYNOVÝM SPORÁKŮM

Plynové sporáky jsou konstruovány s ohledem na maximální výkony, odolnost a trvanlivost pro nejtěžší provoz a jednoduchost, spolu se snadnou údržbou. Pro výrobu jsou používány díly vysoké kvality.

- Optimalizovaný plamen a spotřeba plynu
- Masivní konstrukce
- Ergonomické tvarování ovládacích prvků
- Optimalizované tvarování povrchu pro snadné čištění
- Jednoduchá obsluha
- Pracovní plocha z nerezové ocele AISI 304

## KONTROLA OBALU A ZAŘÍZENÍ

Zařízení opouští naše sklady v řádném obalu, na kterém jsou odpovídající symboly a označení. V obalu se nachází odpovídající návod k obsluze. Jestliže by obal měl vykazovat špatné zacházení, známky poškození, musí se okamžitě reklamovat u přepravce a to sepsáním a podepsáním protokolu o škodě. Na pozdější reklamace nebude brán zřetel.

### **Důležité upozornění**

Tento návod musí být řádně a pozorně přečten, protože obsahuje důležité informace o bezpečnostních prvcích, instalaci a použití.

- Tato doporučení se vztahují na tento výrobek, nebo produktovou linii.
- Tento návod se musí řádně uschovat pro budoucí použití.
- Zabraňte dětem manipulovat s přístrojem.
- Při prodeji nebo přemístění je nutno se přesvědčit, že obsluha nebo odborný servis se seznámil s ovládáním a instalačními pokyny v příloženém návodu.
- Výrobek smí obsluhovat pouze obsluha, která se seznámila s tímto návodem k použití.
- Nesmí být spuštěn bez dozoru.
- Doporučuje se kontrola odborným servisem minimálně 2x ročně.
- Při eventuální opravě nebo výměně dílů musí být použity originální náhradní díly.
- Výrobek se nesmí čistit proudem vody nebo tlakovou sprchou.
- Při poruše nebo špatném chodu výrobku je nutné odpojit veškeré přívody (voda, elektřina, plyn) a zavolat autorizovaný servis.
- Výrobce se vzdává jakékoli zodpovědnosti při poruchách způsobenými chybnou instalací, nedodržením shora uvedených doporučení, jiným užíváním apod.
- Přístroj se smí používat pouze k účelu, ke kterému je určený, jiné použití je zakázané a může vést ke vzniku nebezpečí či úrazu
- Musí být zajištěno nejpřísnější dodržování pravidel protipožární ochrany

## UMÍSTĚNÍ

Ke správné činnosti a umístění spotřebiče je nutné dodržet následující směrnice dle norem TPG G 704 01, ČSN 127040 a ČSN 127010.

Rozbalte přístroj a zkontrolujte, zda se přístroj nepoškodil během přepravy. Umístěte přístroj na vodorovnou plochu (maximální nerovnost do 2°). Drobné nerovnosti lze vyrovnat regulovatelnými nožičkami.

Jestliže zařízení bude umístěno tak, že bude v kontaktu se stěnami nábytku, tyto musí odolávat teplotě až 60°C. Instalaci, seřízení, uvedení do provozu musí provést kvalifikovaná osoba, která má k takovýmto úkonům oprávnění a to dle platných norem.

Přístroj může být instalován samostatně nebo v sérii s přístroji naší výroby. Je nutno dodržovat minimální vzdálenost 10 cm od hořlavých materiálů. V tomto případě je nutné zabezpečit odpovídající úpravy, aby byla zabezpečena tepelná izolace hořlavých částí.

Spotřebič se musí instalovat pouze na nehořlavém povrchu nebo u nehořlavé stěny.

## INSTALACE



### **Důležité:**

Výrobce neposkytuje žádnou záruku na závady, vzniklé v důsledku nesprávného používání, nedodržování instrukcí obsažených v přiloženém návodu k použití a špatným zacházením se spotřebiči.

Instalaci, úpravy a opravy spotřebičů pro velkokuchyně, tak jako i jejich demontáž z důvodu možného poškození přívodu plynu, mohou být prováděny pouze na základě smlouvy o údržbě, tato smlouva může být uzavřena s autorizovaným prodejcem, přičemž musí být dodržovány technické předpisy a normy a předpisy týkající se instalace, elektrického přívodu, plynové přípojky a bezpečnosti práce.

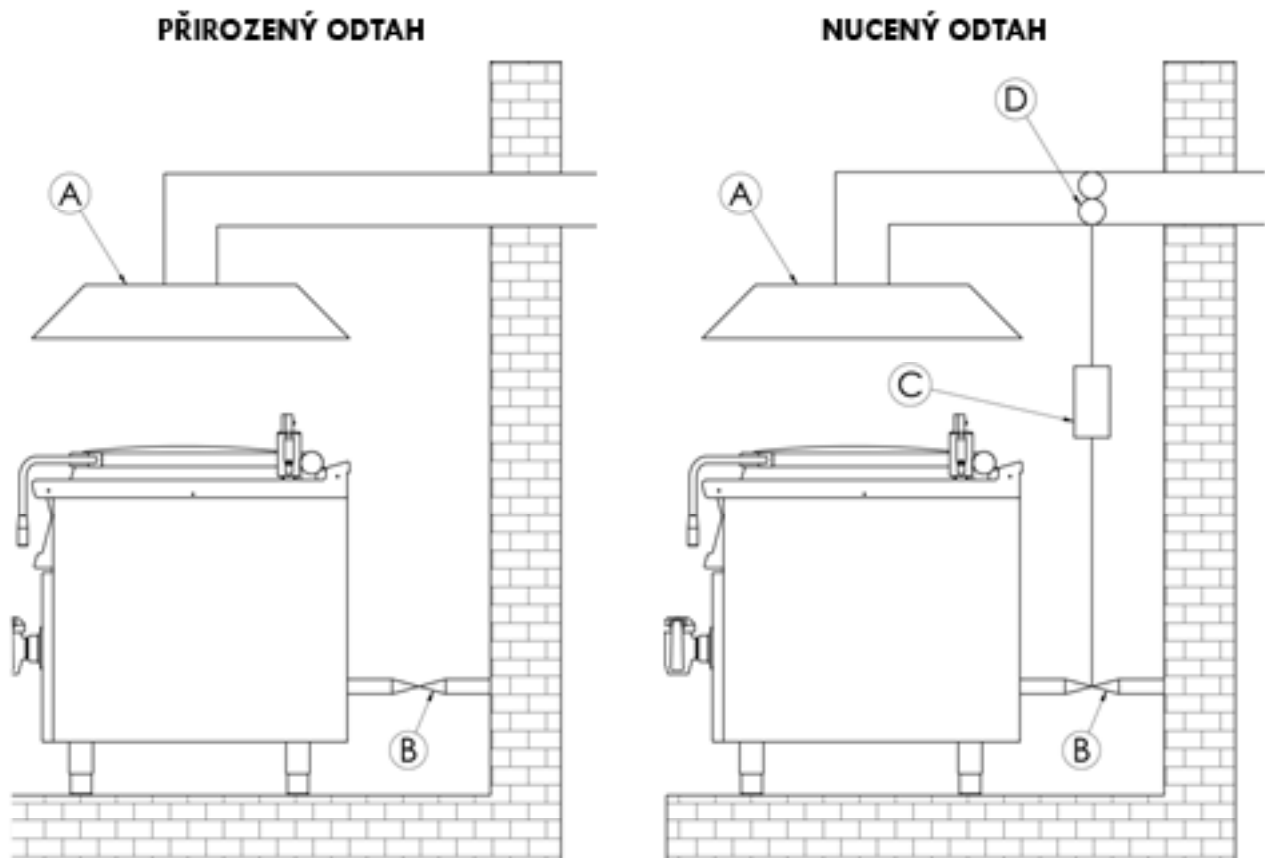
Technické instrukce pro instalaci a seřízení, k použití POUZE pro specializované techniky.

Instrukce, které následují, se obrací k technikovi kvalifikovanému pro instalaci, aby provedl všechny operace způsobem co nejkorektnějším a podle platných norem.

Jakákoli činnost spojená s regulací apod. musí být vykonána pouze se zařízením odpojeným ze sítě. Je - li nutno udržovat spotřebič pod napětím je nutno dbát nejvyšší opatrnosti.

Typ spotřebiče pro provedení odtahu je deklarován na typovém štítku, jedná se o spotřebiče typu A1.

# NÁVOD NA PROVEDENÍ ODTAHU PLYNU



Vyústění digestoře je do samostatného komínového tělesa (A). Odtah spalin zabezpečuje přirozený tah komínu.

Vyústění digestoře je bez přirozeného odtahu. Odtah spalin je zabezpečován pomocí ventilátoru (D), (nucený odtah). V tomto případě je nezbytné zabezpečit propojení s přívodem plynu (B) pro vypnutí přívodu plynu při výpadku.

## KONTROLA TEPELNÉHO VÝKONU

Spotřebiče musí být zkontrolovány, aby se ověřil jejich tepelný výkon:

Tepelný výkon je označen na štítku nebo jej naleznete v tomto návodu.

Je nutné nejdříve ověřit, je-li spotřebič vyroben pro ten samý typ plynu, který bude používán a tudíž odpovídá-li označení na štítku typu plynu, který bude používán.

K přestavbě na jiný druh plynu je nutné zkontrolovat, odpovídá-li typ označeného plynu tomu, který je doporučen v této příručce.

Tlak se měří tlakoměrem o potřebné citlivosti. Tlakoměr se připojí na příslušné místo, je nutné proto odšroubovat šroub se vzduchotěsným uzávěrem a připojit tlakoměr. Po ukončení měření je nutné našroubovat šroub zpět a překontrolovat jeho těsnost.

# BEZPEČNOSTNÍ OPATŘENÍ Z HLEDISKA POŽÁRNÍ OCHRANY PODLE

## ČSN 061008 ČL. 21

- obsluhu spotřebiče smí provádět pouze dospělé osoby
- spotřebič smí být bezpečně používán v souladu s normami:  
ČSN 33 2000-4-482: Ochrana proti požáru v prostorách se zvláštním rizikem nebo nebezpečím  
ČSN 33 2000-4-42: Ochrana před účinky tepla

- spotřebič je nutné umístit tak, aby stál nebo visel pevně na nehořlavém podkladu

**Na spotřebič a do vzdálenosti menší než bezpečná vzdálenost od něho nesmějí být kladeny předměty z hořlavých hmot (nejmenší vzdálenost spotřebiče od hořlavých hmot je 10 cm).**

Tabulka: stupeň hořlavosti stavební hmoty zařazené do st. hořlavosti (ČSN 730823) hmot a výrobků

Stupeň hořlavosti	Stavební hmoty
A - nehořlavé	žula, pískovec, betony, cihly, keramické obkladačky, omítky
B - nesnadno hořlavé	akumin, heraklit, lihnos, itaver
C1 - těžce hořlavé	dřevo, listnaté, překližky sirkoklit, tvrzený papír, umakart
C2 - středně hořlavé	dřevotřískové desky, solodur, korkové desky, pryž, podlahoviny
C3 - lehce hořlavé	dřevovláknité desky, polystyrén, polyureten, PVC

**• informace o stupni hořlavosti běžných stavebních hmot uvádí tabulka níže. Spotřebiče musí být instalovány bezpečným způsobem. Při instalaci musí být dále respektovány příslušné projektové, bezpečnostní a hygienické předpisy dle:**

- ČSN 06 1008 požární bezpečnost lokálních spotřebičů a zdrojů tepla
- ČSN 33 2000-4-482 ochrana proti požáru v prostorách se zvláštním rizikem nebo nebezpečím
- ČSN 33 2000-4-42 ochrana před účinky tepla



## PŘIPOJENÍ ELEKTRICKÉHO KABELU DO SÍTĚ

Instalace elektrického přívodu - tento přívod musí být samostatně jištěn. A to odpovídajícím jističem jmenovitého proudu v závislosti na příkonu instalovaného přístroje. Příkon přístroje zkontrolujte na výrobním štítku na zadním panelu (či boku) přístroje.

Připojený zemnicí vodič musí být delší než ostatní vodiče. Přístroj připojte přímo na síť, je nezbytné vložit mezi spotřebič a síť vypínač s minimální vzdáleností 3 mm mezi jednotlivými kontakty, který odpovídá platným normám a zatížením. Přívod uzemnění (žlutozelený) nesmí tímto spínačem být přerušen. Přístroj určený pro připojení do zásuvky, připojte do sítě pokud má zásuvka odpovídající jištění.

V každém případě přívodní kabel musí být umístěn tak, že v žádném bodě nedosáhne teploty o 50 stupňů vyšší než prostředí. Než bude spotřebič připojen do sítě, je nutné se nejprve ujistit, že:

- přívodní jistič a vnitřní rozvod snesou proudové zatížení spotřebiče (viz štítek matrice)
- rozvod je vybaven účinným uzeměním podle norem (ČSN) a podmínek daných zákonem
- zásuvka nebo vypínač v přívodu jsou dobře přístupné od spotřebiče
- elektrický přívod do zařízení musí být z olejovzdorného materiálu

**Vzdáváme se jakékoli zodpovědnosti v případě, že tyto normy nebudou respektovány a v případě porušení výše uvedených zásad.**

Před prvním použitím musíte přístroj vyčistit viz. kapitola „čištění a údržba“. Spotřebič musí být uzemněn pomocí šroubu se značkou uzemnění.



- Tato etiketa označuje uzemňovací bod zařízení

## PŘIPOJENÍ PLYNOVÉ PŘIPOJOVACÍ HADICE

Připojení spotřebiče do rozvodu plynu je nutné provést přípojnou ocelovou nebo měděnou hadicí vyhovující platným národním požadavkům. Ta musí být pravidelně kontrolována a podle potřeby vyměněna. Každý spotřebič musí být vybaven uzavíracím kohoutem a rychlouzávěrem. Rychlouzávěr musí být volně přístupný a v dosahu zařízení. Po ukončení instalace je třeba překontrolovat, zda nedochází k úniku plynu. Pro zjištění úniku používáme mýdlovou vodu nebo detekční spreje pro zjištění případných úniků.

Nepoužívat látky způsobující korozi! Všechny naše spotřebiče jsou pečlivě kontrolovány. Typ plynu, tlak a označení příslušné kategorie jsou uvedeny na výrobním štítku.

Připojení na kapalný plyn:

Tlak pro připojení na kapalný plyn musí být 28 nebo 30 mbar pro propan/butan a 37 mbar pro propan. Je nutné zkontrolovat štítek, změřit tlak a zkontrolovat parametry nainstalované trysky s požadovanými parametry trysky dle požadavků výrobce. Pokud je tlak nižší než 25 mbar nebo vyšší než 37 mbar NESMÍ BÝT SPOTŘEBIČ PŘIPOJEN

Připojení na zemní plyn:

Tlak při připojení na metan musí být 18 nebo 20 mbar. Je nutné zkontrolovat štítek, změřit tlak a zkontrolovat parametry nainstalované trysky s požadovanými parametry trysky dle požadavků výrobce. Pokud je tlak nižší než 15 mbar nebo vyšší než 22,5 mbar NESMÍ BÝT SPOTŘEBIČ PŘIPOJEN

## KONTROLA NASTAVENÍ PŘÍSTROJE NA DRUH PLYNU

Naše spotřebiče jsou certifikovány a regulovány pro zemní plyn (viz. typový štítek). Přestavba nebo přizpůsobení na jiný typ plynu musí být provedena pouze oprávněným technikem. Trysky na různé typy plynu jsou v sáčku, přibaleném ke sporáku a jsou označeny v setinách mm.

Výměna trysek a seřízení hořáků (viz. obr. níže):

Při výměně trysky hlavního hořáku je třeba postupovat následujícím způsobem:

- 1) sejměte ovládací knoflíky z předního panelu (obr.1, poz.1)
- 2) demontujte přední panel (obr.1, poz.2)
- 3) pro usnadnění přístupu doporučujeme demontáž také zadního panelu (pokud je to možné) (obr.1, poz.3)
- 4) Dle obrázku 2 vyšroubujeme trysku z hlavního hořáku a nahradíme tryskami dle tabulky „TECHNICKÁ DATA HOŘÁKŮ“
- 5) Nastavíme přívod vzduchu pro příslušný plyn (obr. 3) dle tabulky „TECHNICKÁ DATA HOŘÁKŮ“

Pilotní hořák seřídíme tak, že povolíme pojistnou matici (obr.3, poz.1) klíčem, poté vyšroubujeme trysku pilotního hořáku s pružinkou (obr.3, poz.2,3) a nahradíme tryskou pro příslušný plyn dle tabulky. Utáhneme krytku trysky klíčem a seřídíme režim „sporo“ viz. text níže.

### Důležité:

Poté, co bylo provedeno seřízení spotřebiče na jiný typ plynu, je nutné změnu plynu vyznačit na štítku spotřebiče a provést následující kroky:

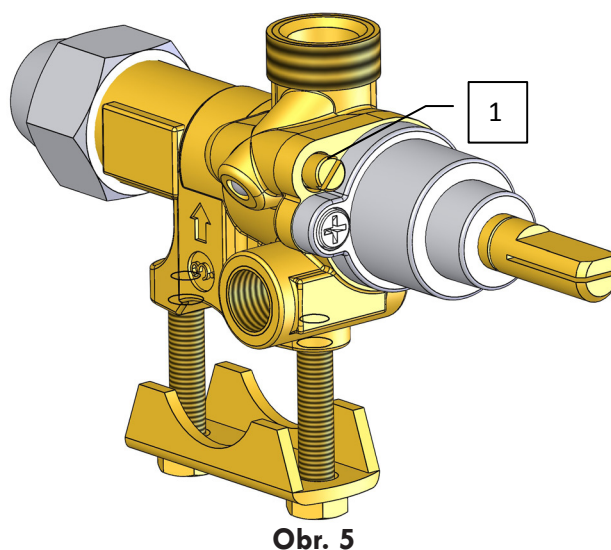
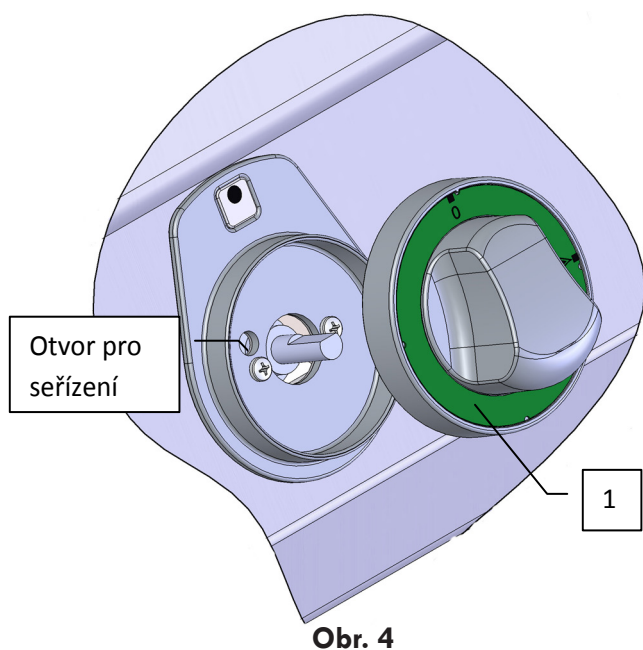
- Zkontrolovat případné úniky plynu
- Zkontrolovat zažehnutí a plamen hlavního hořáku
- Zkontrolovat plamen hlavního hořáku na min. výkon „SPORO“

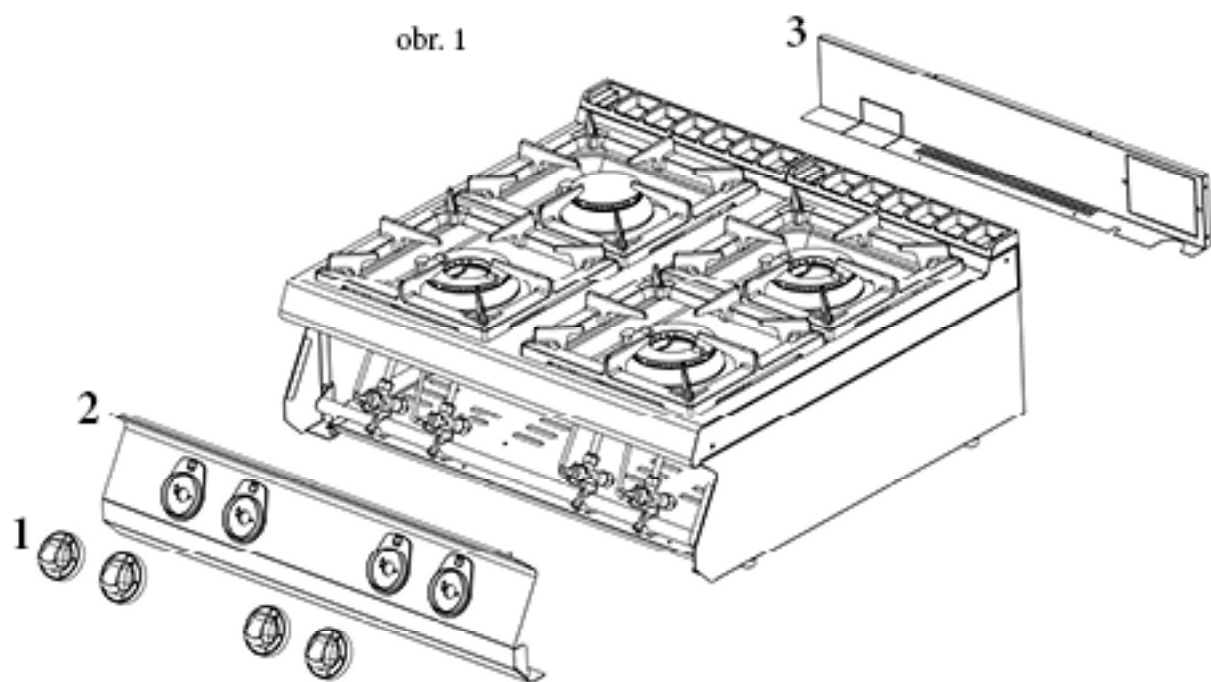
## SEŘÍZENÍ PLAMENE PŘI SNÍŽENÉM VÝKONU „SPORO“

Plamen při nastavení kohoutu na snížený výkon „SPORO“ seřídíme šroubkem v těle kohoutu (poz. 1, obr. 5) vedle hřídele kohoutu.

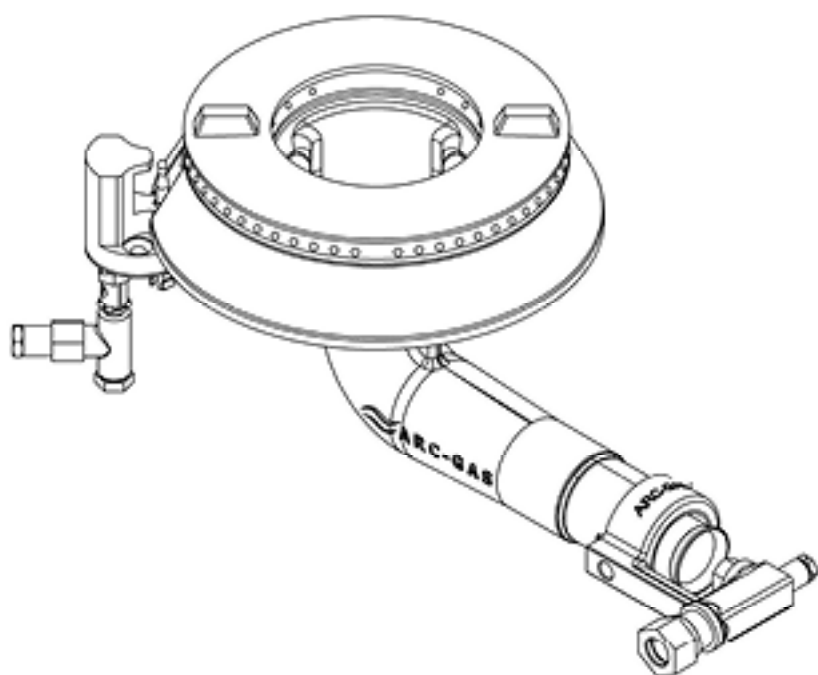
Pro seřízení postupujte takto:

- Sejměte regulační knoflík (poz. 1, obr. 4) tahem k sobě
- Vedle hřídele kohoutu je otvor pro seřízení, pomocí plochého šroubováku seřídíte plamen

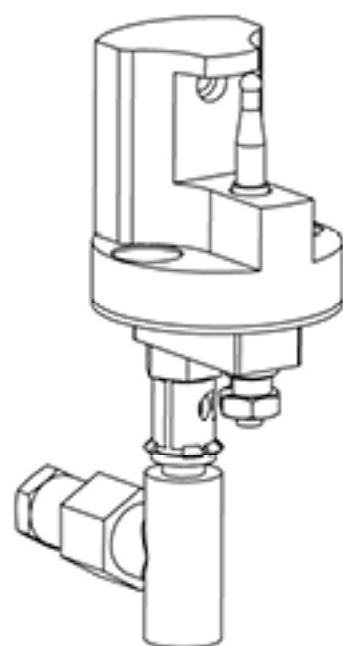




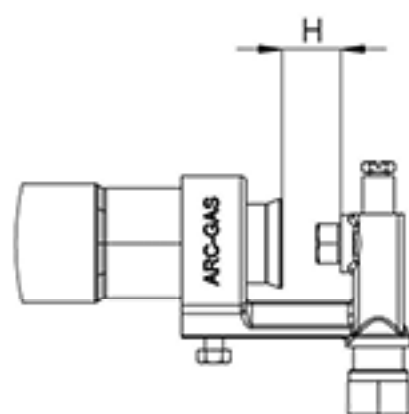
obr. 2



obr. 3



obr. 4



3



2



1





## VÝMĚNA TRYSEK A SEŘÍZENÍ HOŘÁKU PLYNOVÉ TROUBY (viz. obr. níže):

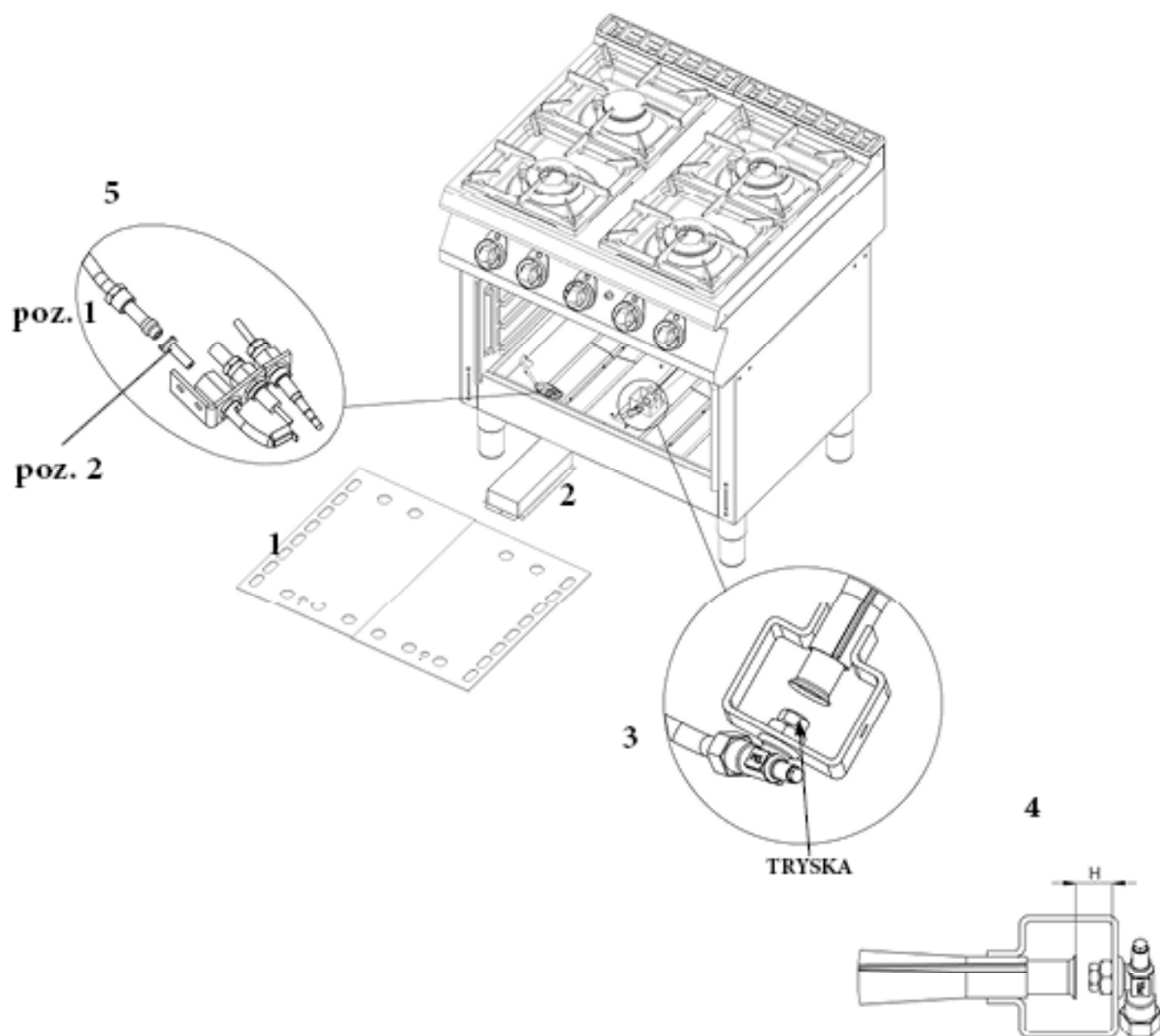
Při výměně trysky hořáku trouby je třeba postupovat následujícím způsobem:

- 1) Otevřete dvířka trouby a vyjměte krycí plech trouby (falešné dno komory).
- 2) Demontujte kryt přívodu hořáku (obr. 2)
- 3) Dle obrázku 3 vyšroubujeme trysku z hlavního hořáku a nahradíme tryskami dle tabulky „TECHNICKÁ DATA HOŘÁKŮ“
- 4) Nastavíme přívod vzduchu pro příslušný plyn (obr. 4) dle tabulky „TECHNICKÁ DATA HOŘÁKŮ“

## VÝMĚNA TRYSEK A SEŘÍZENÍ PILOTNÍHO HOŘÁKU PLYNOVÉ TROUBY

Při výměně trysky hořáku trouby je třeba postupovat následujícím způsobem:


- 1) Vyšroubujte matici dle obr. 5 poz. 1.
- 2) Demontujte přívodní měděnou trubku z pilotního hořáku.
- 3) Dle obr 5. pozn. 2 vyšroubujeme trysku z hlavního hořáku a nahradíme tryskami dle tabulky „TECHNICKÁ DATA HOŘÁKŮ“.
- 4) Namontujeme zpět měděnou trubku pilotního hořáku a dotáhneme jí matkou dle obr. 5 pozn. 1.



## NÁVOD K POUŽITÍ

Pozor! Než-li začnete přístroj používat, je nutné z celého povrchu sejmout ochranné fólie, a pak jej dobře omýt vodou se saponátem na nádobí, a poté otřít vlhkým hadrem.

### Zapálení a regulace hořáku

Po stisknutí a otočení regulačního knoflíku příslušného hořáku do polohy 1 , zapalte pilotní hořák. Po zapálení pilotního hořáku držte ještě knoflík stisknutý po dobu cca. 30 vteřin, aby se ohřála termopojistka. Pokud plamen zhasne, celý postup opakujte.

Pro zapálení hořáku na plný výkon otočte knoflíkem do polohy 2. 

Úsporný režim „SPORO“, nastavíme tak, že lehce zmáčkneme knoflík a otočíme do polohy 3. 

Do pohotovostního režimu se přepneme otáčením kohoutu vpravo do polohy 1. 

Pokud chceme hořák vypnout, lehce zmáčkneme knoflík a otočíme do polohy „0“. 

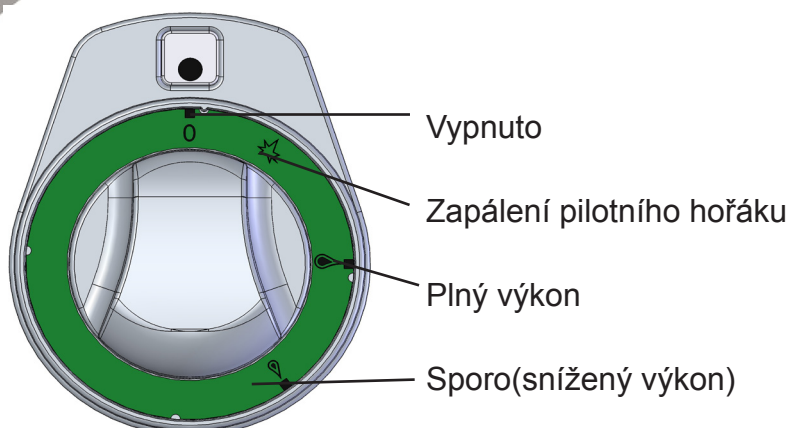
### Návod na odtah spalin plynu

Přístroje typu A (viz štítek s charakteristikami) Spotřebič provedení A (t.j. spotřebič, který není určen ke spojení s kouřovodem, nebo jiným zařízením pro odvádění spalin mimo prostor, v němž je umístěn) musí být instalován v prostorech s dostatečným větráním, které je provedené dle ČSN 12 7010:1986 a ČSN 12 7040:1986 tak, aby se v těchto prostorech zabránilo hromadění zdraví škodlivých látek v nepřípustné koncentraci (zabezpečení požadavku hygienického předpisu na pracovní prostředí sv.39/78 směrnice 46.

## POPIS OVLÁDÁNÍ



① Regulační knoflík



## **OVLÁDÁNÍ STACIONÁRNÍ TROUBY**

Přepínačem stacionární trouby si zvolíme zda-li budeme péct horními a dolními tělesy (poloha 1), nebo jen spodními (poloha 3) a nebo horními (poloha 2). Toto je signalizováno zelenými kontrolkami. Regulačním knoflíkem stacionární trouby nastavíme požadovanou teplotu. Chod topných těles je signalizován bílými kontrolkami. Po jejich zhasnutí je trouba vyhřátá na požadovanou teplotu. Troubu vypneme otočením obou knoflíků do polohy „0“.

## **OVLÁDÁNÍ PLYNOVÉ TROUBY**

Zapálení a seřízení hořáku trouby:

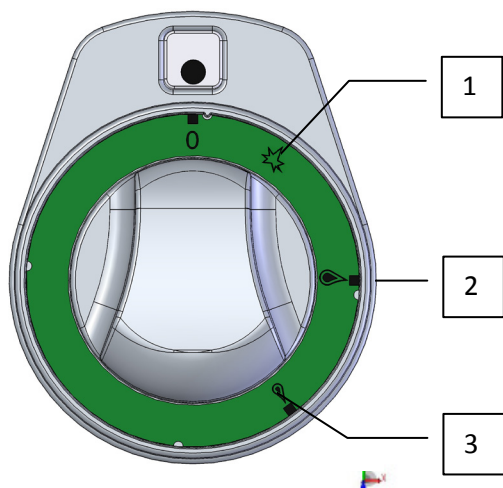
Při zapálení trouby otevřete dvířka trouby, otočte knoflíkem na značku zapálení, držte knoflík stisknutý a poté opakovaně stiskněte tlačítko piezzo zapalování, dokud se plyn nezapálí. Otvorem ve dně trouby je možno zkontrolovat plamen, po přibližně 10 vteřinách pusťte knoflík. Jestliže pilotní plamen zhasne, je třeba opakovat celou operaci. Při otočení knoflíku do polohy pro zapálení pilotního plamene zhasne hlavní hořák a zůstane hořet pilotní plamen. Pro zapálení hlavního hořáku otočte knoflíkem vlevo a nastavte požadovanou teplotu. Chceme-li troubu zcela vypnout, otočíme ovládacím kolečkem na pozici „0“.

## **OVLÁDÁNÍ HORKOVZDUŠNÉ TROUBY**

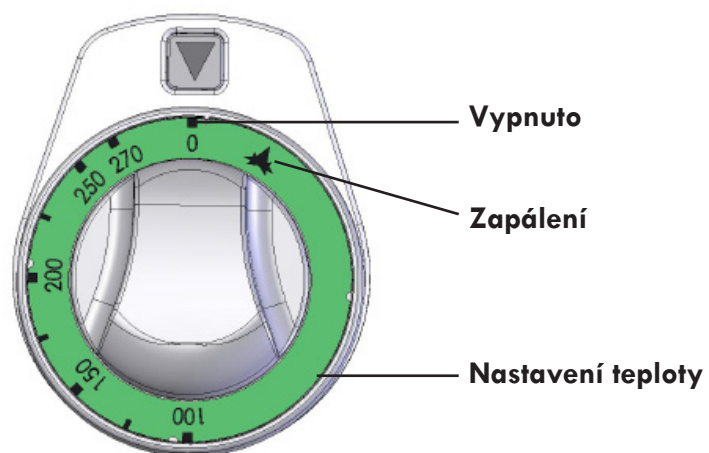
Otočením regulačního knoflíku doprava, dojde k zapnutí ventilátoru. Toto je signalizováno zelenou kontrolkou. Po dalším otočení vpravo, nastavíme požadovanou teplotu. Chod topného tělesa je signalizován oranžovou kontrolkou. Po jejím zhasnutí je trouba vyhřátá na požadovanou teplotu. Troubu vypneme otočením knoflíku vlevo do polohy „0“.

# OVLÁDACÍ PRVKY

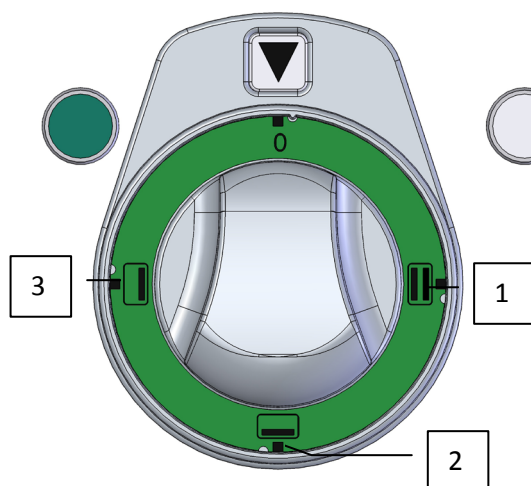
## Regulační knoflík hořáku



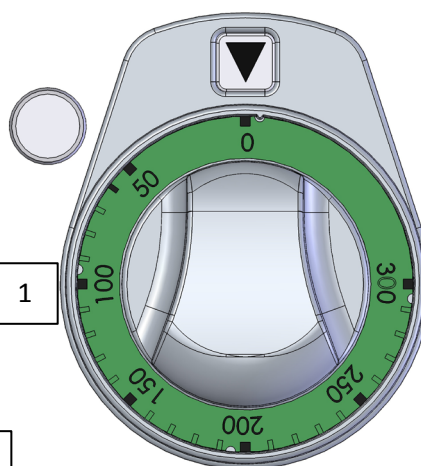
## Regulační knoflík plynové trouby



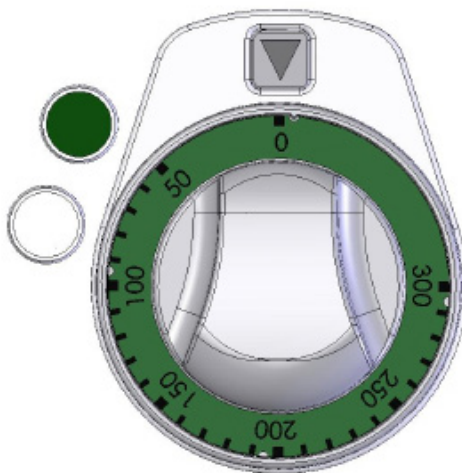
## Přepínač stacionární trouby



## Regulační knoflík teploty stacionární trouby




## Regulační knoflík teploty horkovzdušné trouby



## ČIŠTENÍ A ÚDRŽBA

Přístroj se musí alespoň 2 x ročně překontrolovat odborným servisem. Veškeré zásahy do přístroje může provádět pouze kvalifikovaná osoba, která má k takovýmto úkonům oprávnění.

### **POZOR!**

 Zařízení se nesmí čistit přímou nebo tlakovou vodou. Čistěte zařízení denně. Denní údržba prodlužuje životnost a účinnost zařízení. Před započatím čištění se přesvědčte, jestli jste odpojili zařízení od elektrického proudu. Vždy vypněte hlavní přívod k zařízení. Nerezové části omyjte vlhkým hadrem se saponátem bez hrubých částic a vytřete do sucha. Nepoužívejte abrasivní nebo korosivní čisticí prostředky.

**Pozor!** Než-li začnete přístroj používat, je nutné z celého povrchu sejmout ochranné fólie, a pak jej dobře omýt vodou se saponátem na nádobí, a poté otřít vlhkým hadrem.

Jak postupovat v případě poruchy?

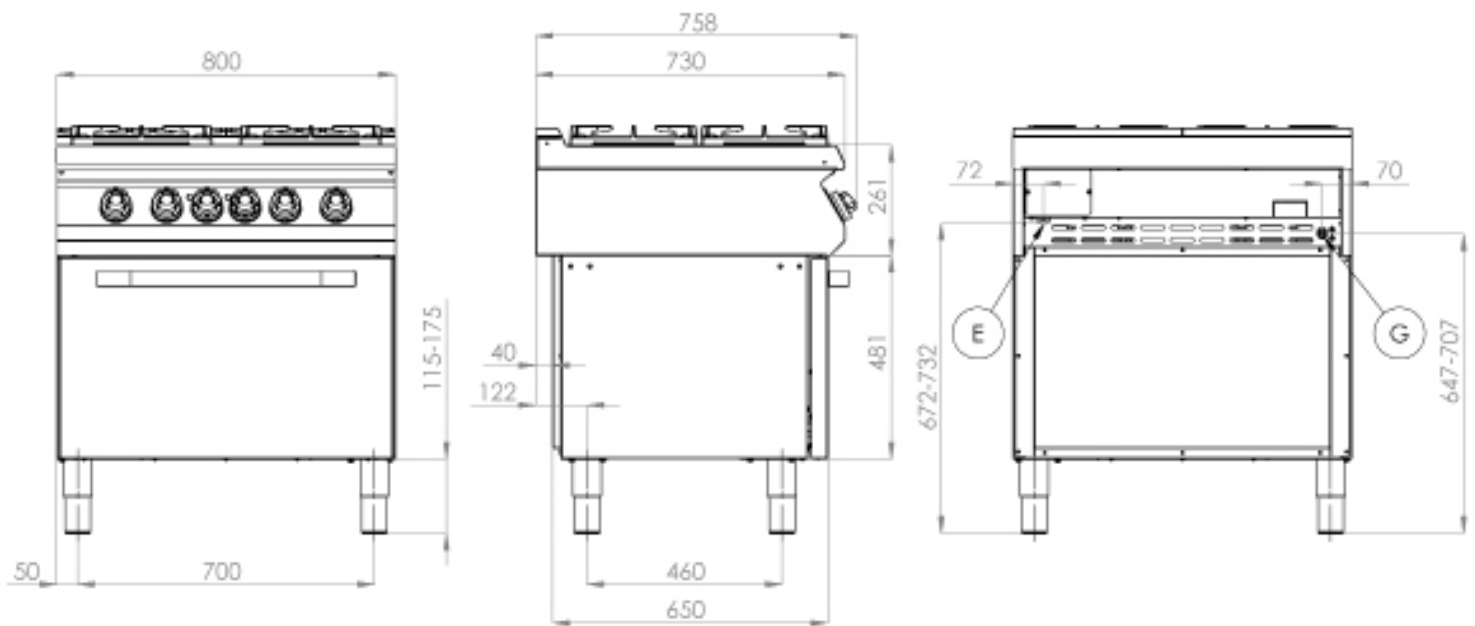
Vypněte elektrický (plynový) přívod a zavolejte servisní organizaci prodejce.

Záruka se navztahuje na všechny spotřební díly podléhající běžnému opotřebení ( gumová těsnění, žárovky, skleněné a plastové díly atd.). Záruka se též nevztahuje na zařízení pokud není provedena instalace v souladu s návodem – oprávněným pracovníkem dle odpovídajících norem a pokud bylo se zařízením neodborně manipulováno ( zásahy do vnitřního zařízení atd. ) nebo bylo obsluhováno nezaškoleným personálem a v rozporu s návodem k použití, dále se záruka nevztahuje na poškození přírodními vlivy či jiným vnějším zásahem.

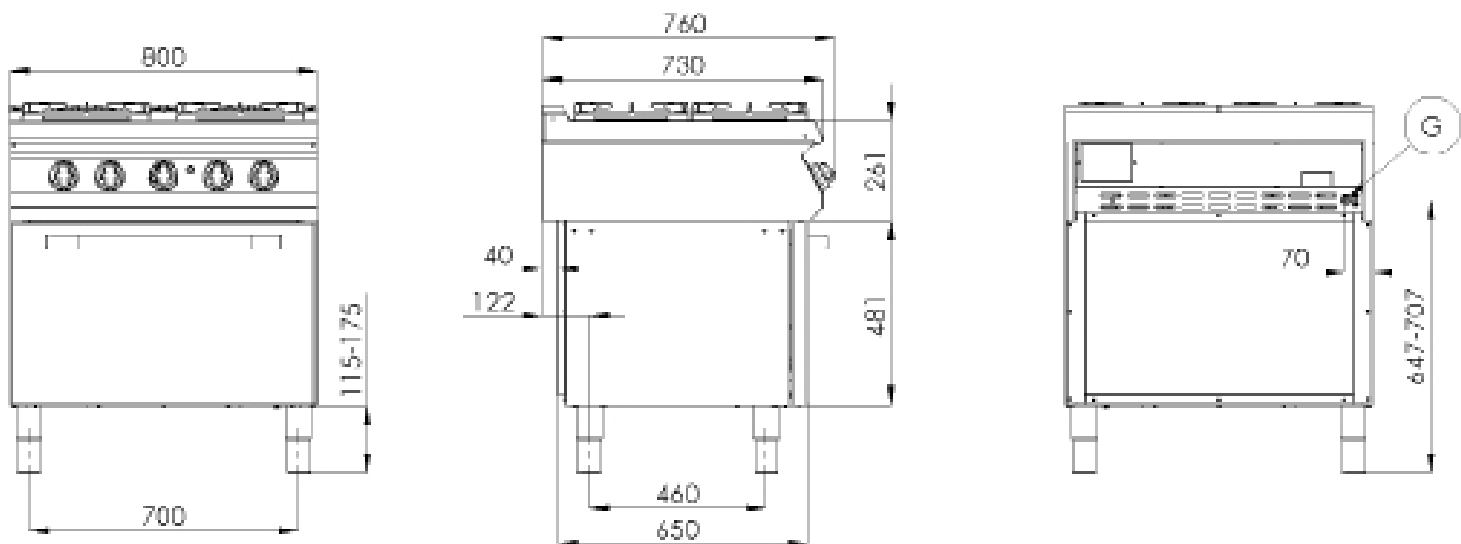
**Přepravní obaly a zařízení po ukončení životnosti odevzdejte do sběru, dle předpisů o nakládání s odpadem a nebezpečným odpadem.**

# ROZMĚROVÝ OBRÁZEK

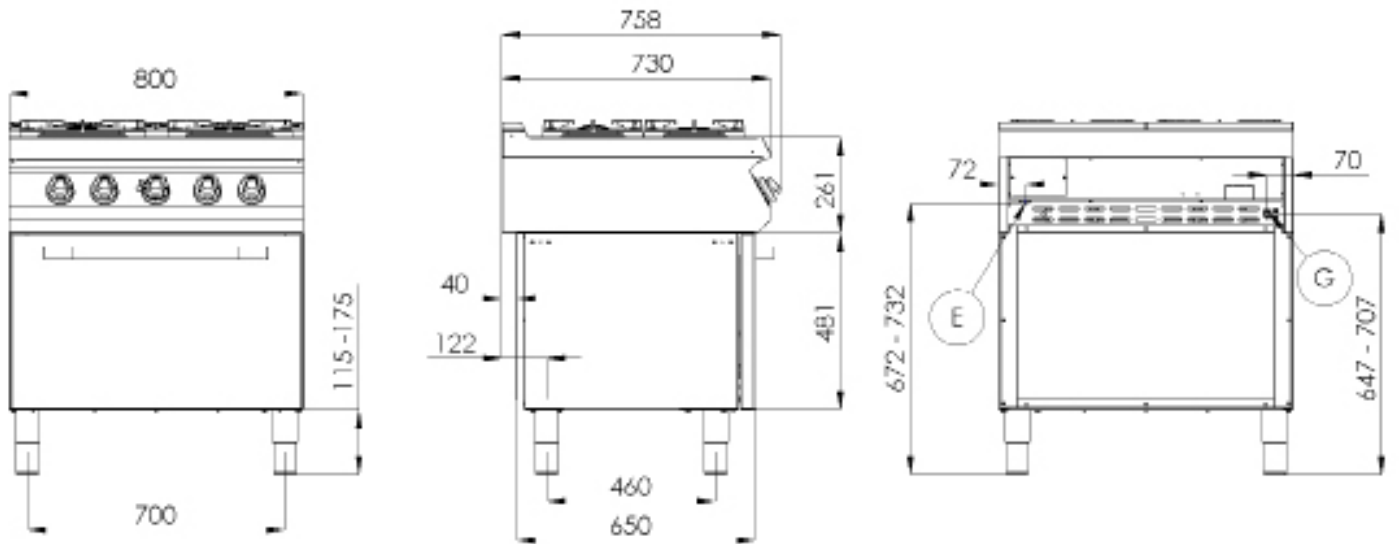
## SPT-780-21 GE



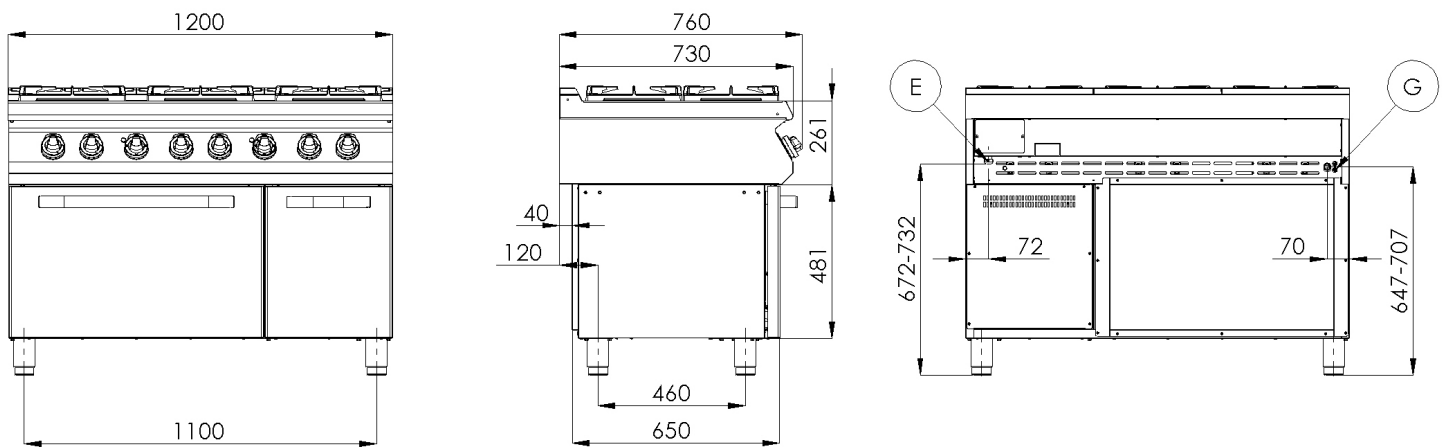
## SPT-780-21 G



## SPT-780-11 GE

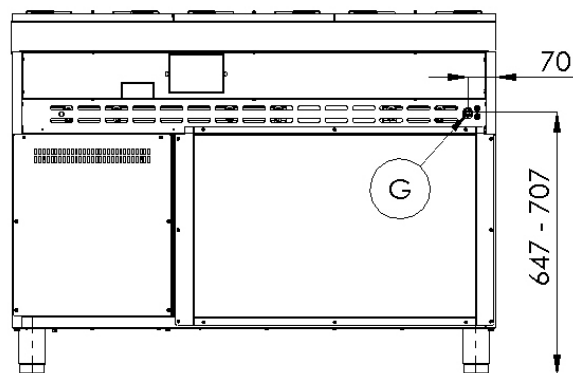
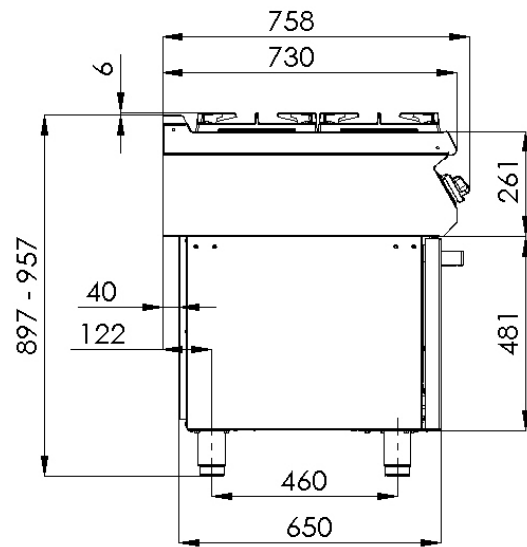
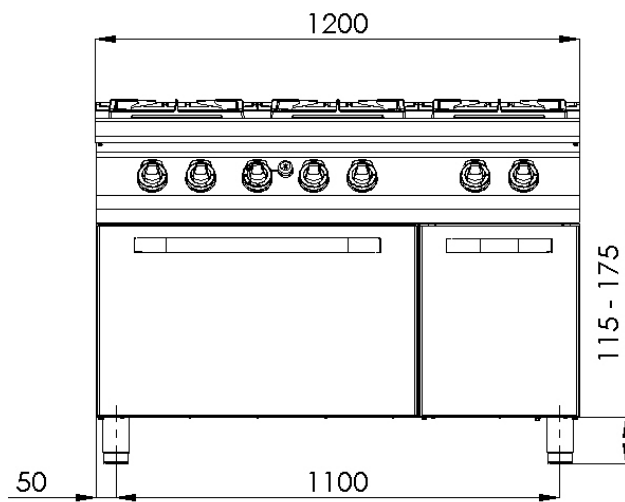


## SPT-7120-21 GE

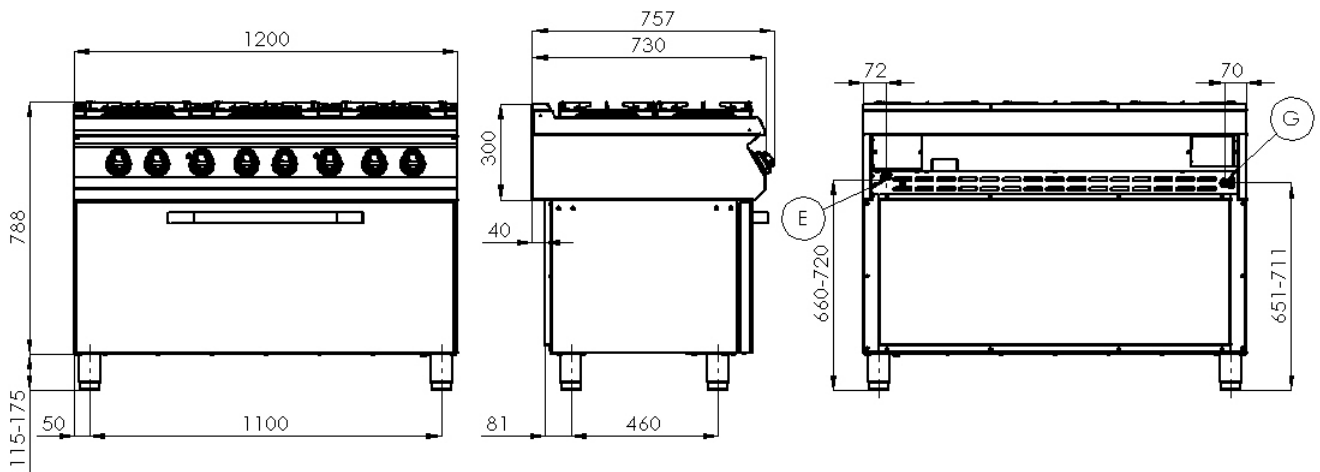




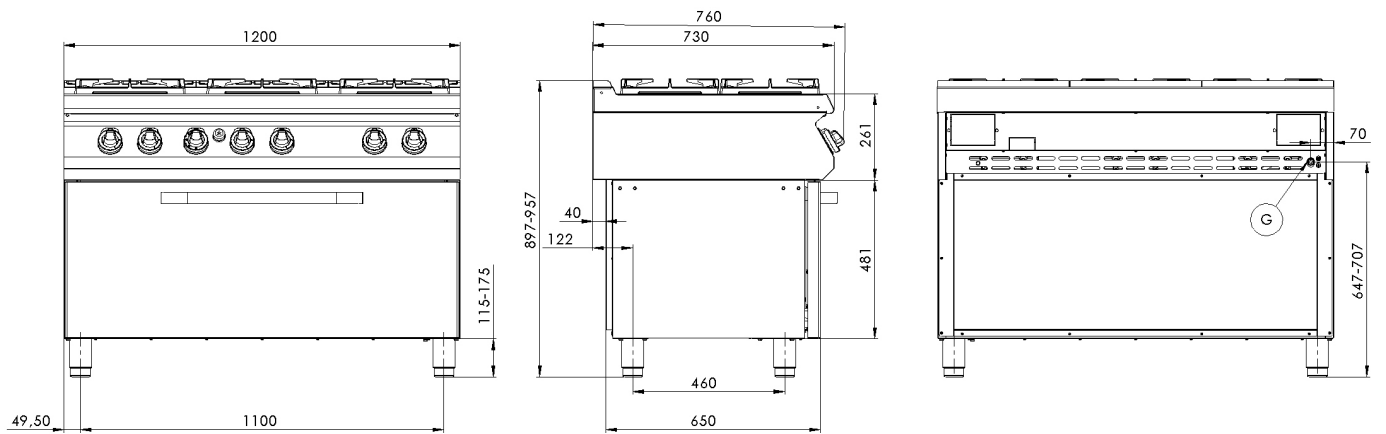
# SPT-7120-21 G



## SPT-7120-31 GE

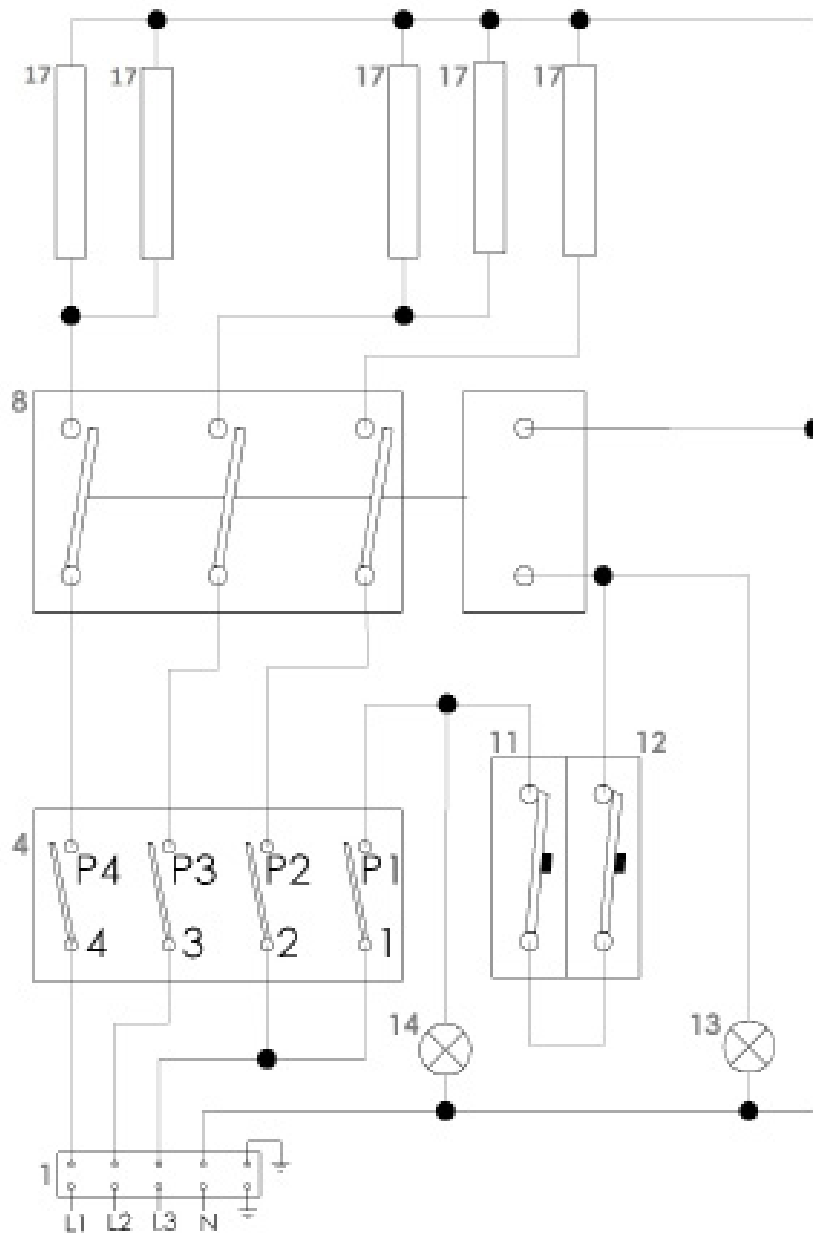


## SPT-7120-31 G



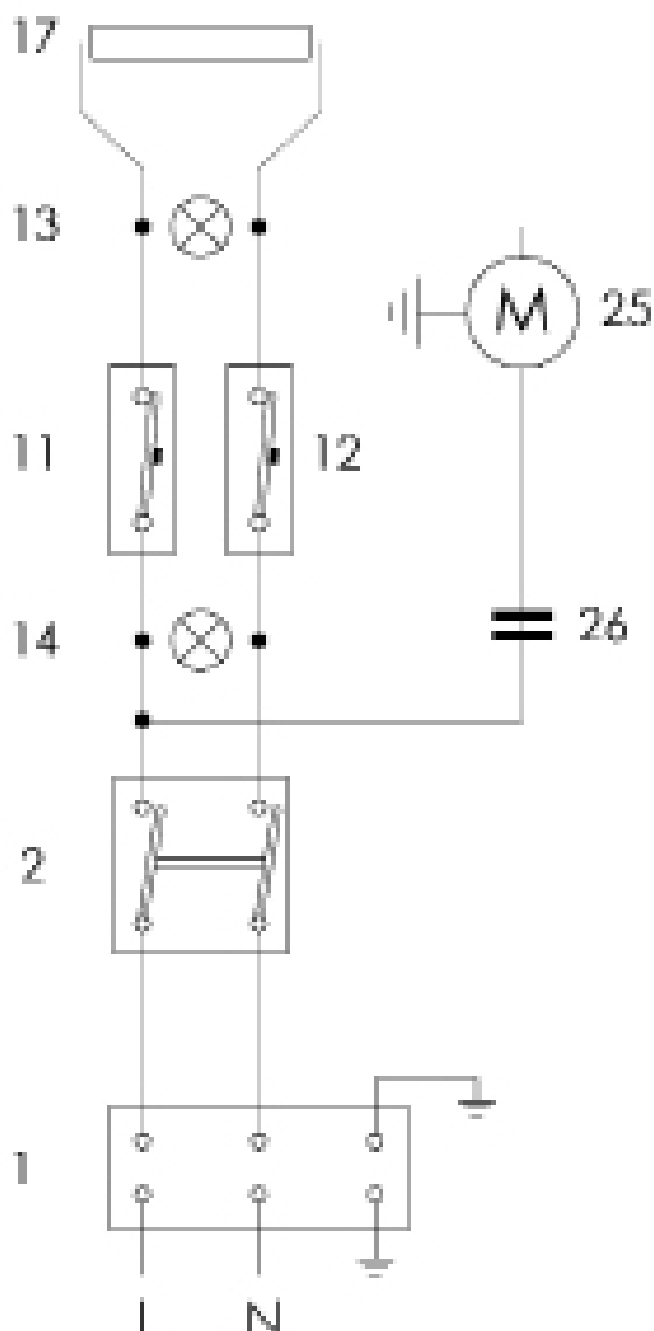
# SCHÉMA ZAPOJENÍ

## STACIONÁRNÍ ELEKTRICKÁ TROUBA



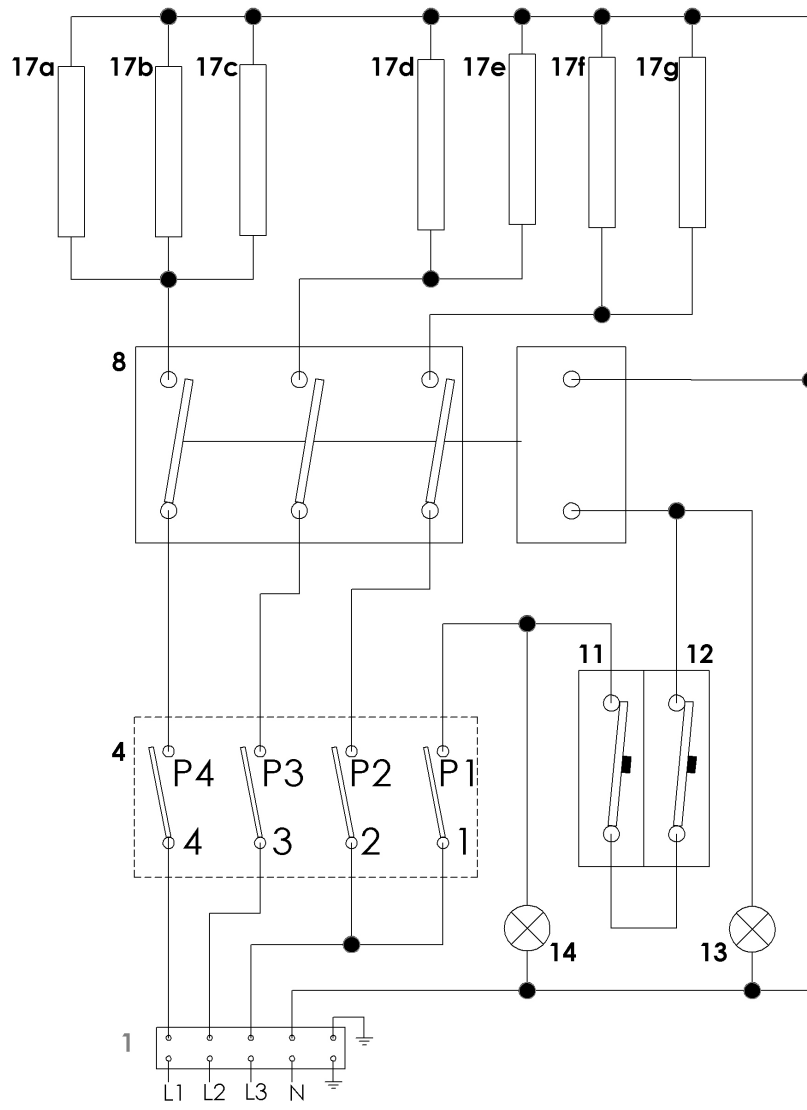
1- SVORKOVNICE	17- TOPNÉ TĚLESO
2- VYPÍNAČ O/I	18- PLOTÝNKA
3- VYPÍNAČ PROSVĚTLENÝ O/I	19- TRANSFORMÁTOR
4- PŘEPÍNAČ OTOČNÝ	20- POJISTKA
5- TLAČÍTKOVÝ SPÍNAČ	21- RHEOSTAT
6- KONCOVÝ SPÍNAČ	22- TERMOČLÁNEK
7- MIKROSPÍNAČ	23- ČIDLO
8- RELÉ	24- MOTOR ZDVIHU
9- KONTAKTY RELÉ	25- MOTOR VENTILÁTRU
10- ČASOVÝ SPÍNAČ	26- KONDENZÁTOR ROZBĚHOVÝ
11- TERMOSTAT PRACOVNÍ	27- ZAPALOVACÍ SVÍČKA
12- TERMOSTAT POJISTNÝ	28- PLYNOVÝ VENTIL (SIT)
13- KONTROLKA ORANŽOVÁ	29- ZÁSUVKA
14- KONTROLKA ZELENÁ	30- DIGITÁLNÍ TEPLMĚR
15- DIODA	31- ŘÍDÍCÍ JEDNOTKA
16- VNITŘNÍ OSVĚTLENÍ	

# HORKOVZDUŠNÁ ELEKTRICKÁ TROUBA

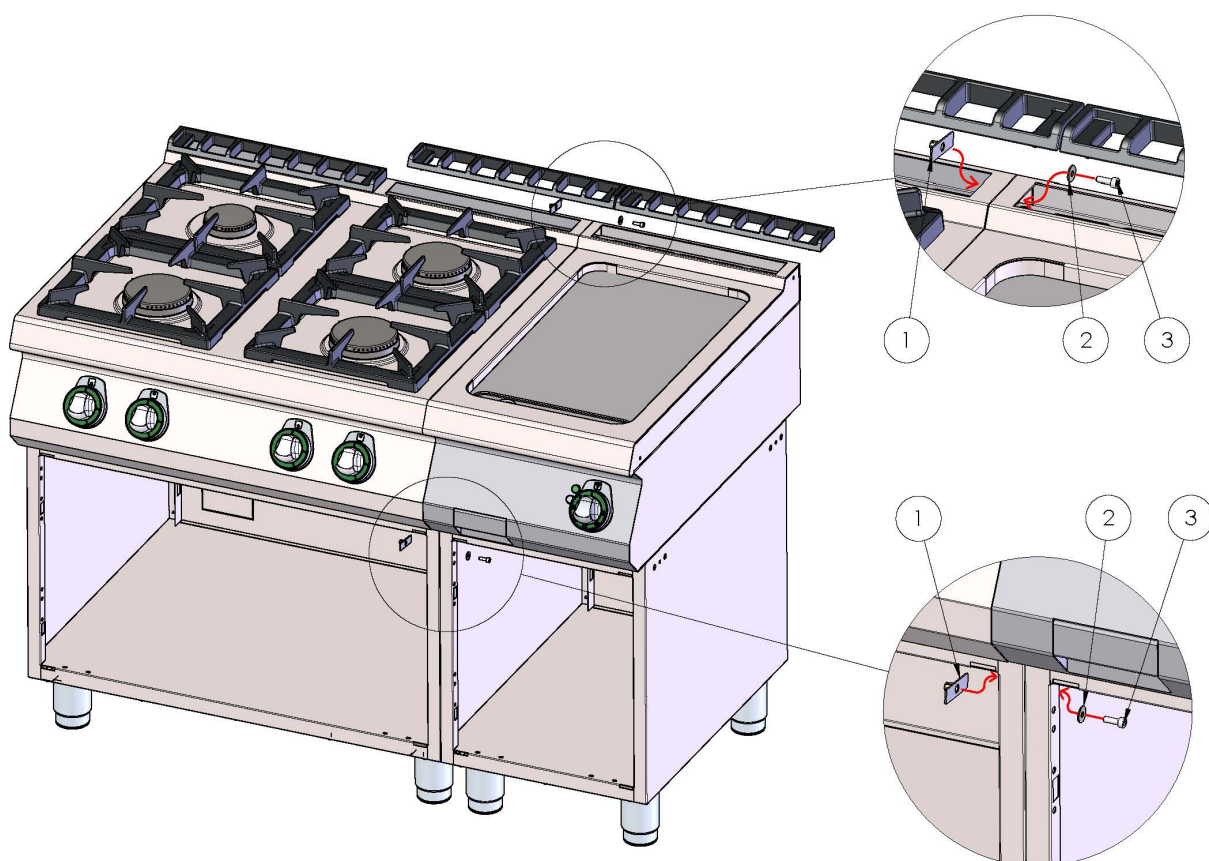
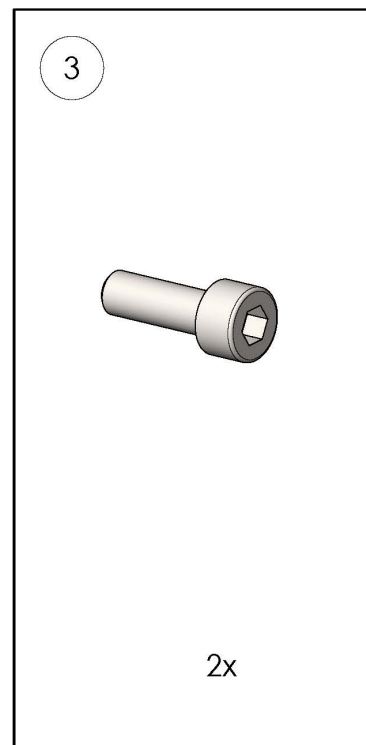
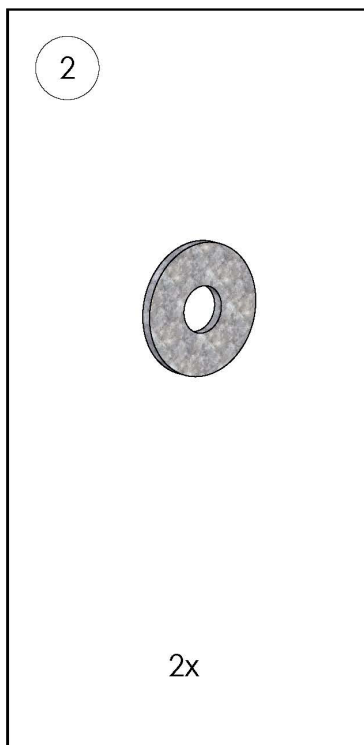
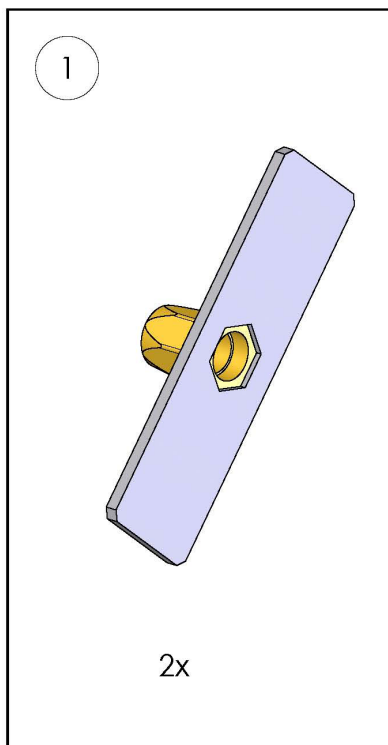


1- SVORKOVNICE	17- TOPNÉ TĚLESO
2- VYPÍNAČ 0/I	18- PLOTÝNKA
3- VYPÍNAČ PROSVĚTLENÝ 0/I	19- TRANSFORMÁTOR
4- PŘEPÍNAČ OTOČNÝ	20- POJISTKA
5- TLAČÍTKOVÝ SPÍNAČ	21- RHEOSTAT
6- KONCOVÝ SPÍNAČ	22- TERMOČLÁNEK
7- MIKROSPÍNAČ	23- ČIDLO
8- RELÉ	24- MOTOR ZDVIHU
9- KONTAKTY RELÉ	25- MOTOR VENTILÁTRU
10- ČASOVÝ SPÍNAČ	26- KONDENZÁTOR ROZBĚHOVÝ
11- TERMOSTAT PRACOVNÍ	27- ZAPALOVACÍ SVÍČKA
12- TERMOSTAT POJISTNÝ	28- PLYNOVÝ VENTIL (SIT)
13- KONTROLKA ORANŽOVÁ	29- ZÁSUVKA
14- KONTROLKA ZELENÁ	30- DIGITÁLNÍ TEPLMĚR
15- DIODA	31- ŘÍDÍCÍ JEDNOTKA
16- VNITŘNÍ OSVĚTLENÍ	

# SPT-7120-31 GE



# SPOJENÍ MODULŮ



## IZJAVA O SAGLASNOSTI SA NORMAMA

Proizvodjač proglašava da uređaji ispunjavaju norme evropskog parlamenta i savjeta 2009/142/ES. Instalacija mora biti provedena prema važećim normama.

Proizvodjač proglašava da njegovi proizvodi ispunjavaju osnovne uvjete smjernica EU 2004/108/ES i uvjete smjernica 2006/95/ES.

Pozor, proizvođač ne snosi odgovornost u slučaju direktnog i/ili indirektnog oštećenja, a koje može biti uzrokovano neodgovornom ili neprofesionalnom instalacijom, neispravnom opravom i/ili korištenjem, nedovoljnim održavanjem i čišćenjem, te ostalim faktorima koji su uvedeni u uputstvu, odnosno uslovima prodaje. Ovaj uređaj je namijenjen samo k profesionalnom korišćenju i upotrebi, tako da mora biti servisiran samo kvalifikovanim osobljem. Dijelovi koji su bili instalirani od strane proizvođača ili njim povjerene osobe, ne smije korisnik mijenjati, niti opravljati.

## TEHNIČKI PODACI

Naljepnica sa tehničkim podacima se nalazi sa zadnje ili bočne strane aparata. Prije nego što aparat počnete koristiti prostudirajte shemu elektr. instalacije i ostale odgovarajuće informacije.

MODEL	NAPON (V / Hz)	Gorionika (kW)	Pećnica (kW)	Razm. uređaja (mm)
SPT-780-21 GE	400/3N/50	3x 7,5kW + 1x 4,5 kW	6,3 kW (stacionaran)	800 x 750 x 933 v
SPT-780-21 G	-	3x 7,5kW + 1x 4,5 kW	5,8 kW (plin)	800 x 750 x 933 v
SPT-780-11 GE	230/50	3x 7,5kW + 1x 4,5 kW	3,13kW (vreo zrak)	800 x 750 x 933 v
SPT-7120-21 GE	400/3N/50	4x 7,5kW + 2x 4,5 kW	6,3	1200 x 730 x 900 v
SPT-7120-21 G	-	4x 7,5kW + 2x 4,5 kW	6 (gas)	1200 x 730 x 900 v
SPT-7120-31 GE	400/3N/50	4x 7,5kW + 2x 4,5 kW	8,7	1200 x 730 x 900 v
SPT-7120-31 G	-	4x 7,5kW + 2x 4,5 kW	10,5 (gas)	1200 x 730 x 900 v



## KONTROLA PAKOVANJA I APARATA

Uredjaj napušta naše skladište uredno zapakovan, na pakovanju se nalaze simboli i opis tipa aparata. U pakovanju ćete naći uputstvo za upotrebu. Ukoliko bi se na pakovanju vidjelo da je s njim bilo loše manipulirano, da je pakovanje oštećeno, morate to odmah riješiti sa prijevoznikom, a to tako što ćete s njim napisati i obostrano potpisati protokol o šteti. Kasnije reklamacije nećemo uzimati u obzir.



### Važno upozorenje

Ovo uputstvo mora biti pažljivo pročitano, budući da sadrži bitne informacije o sigurnosti, instalaciji i korištenju.

- Ove preporuke se odnose na ovaj proizvod ili liniju proizvoda.
- Ovo uputstvo se treba sačuvati i za buduće korištenje.
- Zabranite djeci da koriste uređaj.
- Prilikom preprodaje ili izmjene pozicije uređaja, neophodno je upoznati servis i osoblje sa priloženim uputstvom za upotrebu i instalaciju.
- Uredjaj smije koristiti samo poslušač koji je upoznat sa uputstvom.
- Nesmijete ostavljati uređaj bez nadzora.
- Preporučuje se kontrola autorizovanim servisom minimalno 2x godišnje.
- U slučaju oprave ili izmjene rezervnog dijela, koristite samo originalne dijelove.
- Uredjaj se ne smije čistiti vodom pod pritiskom (tuš ili crijevo sa vodom).
- U slučaju kvara, isključite aparat iz struje, prekinite dovod vode i/ili plina, a potom se obratite na autorizovani servis.
- Proizodjač ne snosi odgovornost u slučaju pogrešne instalacije, nedodržavanjem gore navedenih preporuka, odnosno neodgovornim korištenjem i sl.
- Uredjaj smije biti korišten samo k tomu čemu je namijenjen, drugi način korištenja može uzrokovati oštećenje aparata ili, čak, tjelesne povrede.
- Moramo najstrožije dodržavati pravila protivpožarne zaštite.

## POZICIJA

Za ispravan rad i položaj aparata neophodno je dodržavati smjernice i norme propisane u uputstvu.

Raspakujte uređaj i prekontrolirajte da se nije slučajno oštetiо tijekom transporta. Smjestite uređaj na vodoravnu podlogu (maksimalna neravnina do 2°). Male neravnine možemo regulirati nožicama.

Ako je aparat smješten tako da će biti u neposrednoj blizini namještaja, taj mora biti otporan na toplotu od 60°C. Instalaciju, podešavanje i početak korištenja mora biti proveden kvalifikovanim osobom, koja je k tomu povjerena od strane autorizovanog servisa.

Uredjaj može biti instaliran samostalno ili u seriji sa ostalim našim proizvodima. Obavezno dodržavajte minimalnu udaljenost 10 cm od lako zapaljivih predmeta. U takvom slučaju, moraju biti provedene određene izmjene kako bi izolirale zapaljive materijale.

Uredjaj smije biti instaliran samo na nezapaljivoj površini i pored vatrostalnog zida.

# INSTALACIJE

## Važno:

Proizvodjač ne daje nikakvu garanciju na greške uzrokovane neispravnim korištenjem, nepridržavanjem danih instrukcija ili neodgovornim korištenjem proizvoda.

Instalaciju, izmjene i oprave, a jednako tako i demontažu, ukoliko je aparat oštećen, može provesti samo odgovorna osoba, a to povjerena autorizovanim servisom. I to na osnovu ugovora o prodaji i održavanju koji može biti sklopljen samo sa oficijalnim predstavnikom proizvođača, a mora sadržavati sve tehničke propise i norme koje se tiču instalacije, dovoda struje i plina, te bezbjednosti rada.

Tehničke instrukcije za instalaciju i podešavanje služe samo SPECIJALIZIRANIM serviserima.

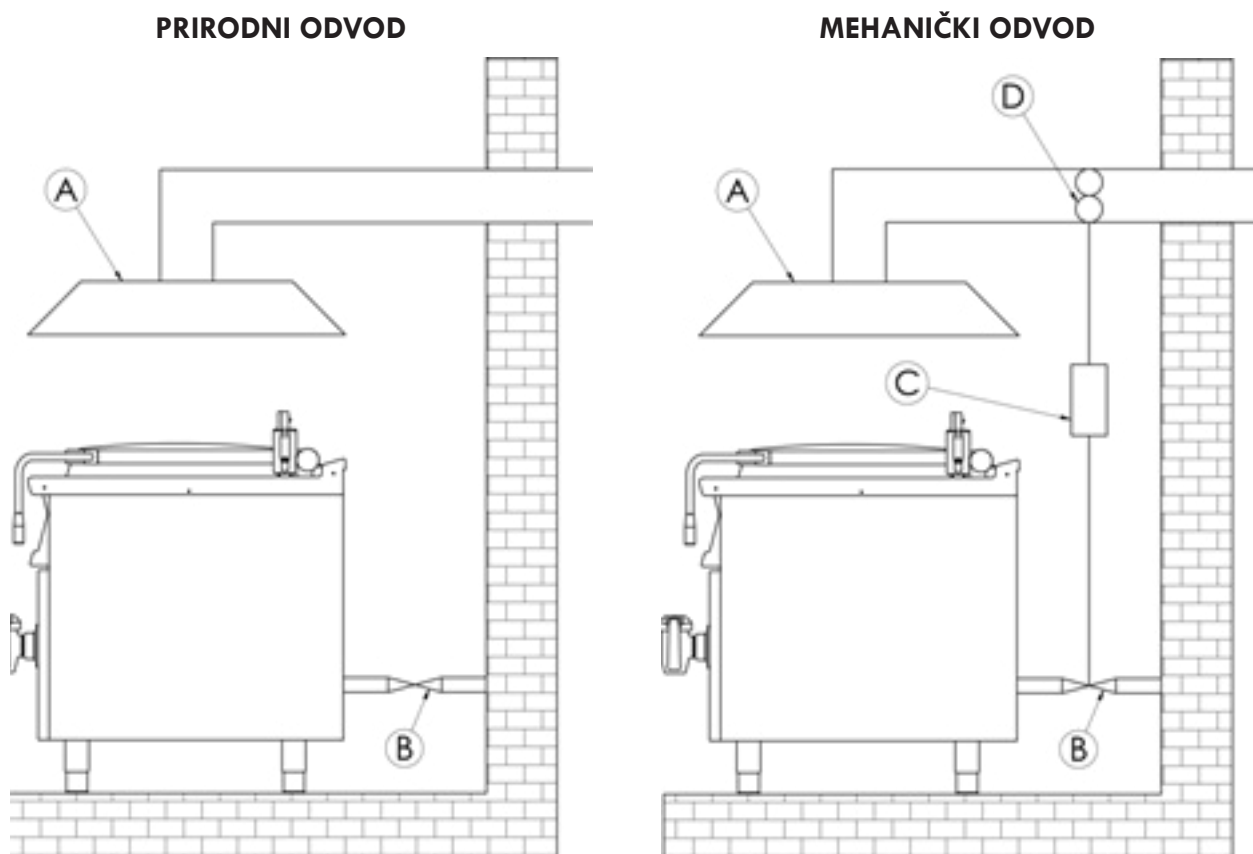
Instrukcije, koje slijede tiču se tehničara kvalifikovanih za instalaciju uređaja, a da bi to učinili na što korektniji i odgovorniji način, a to prema zadanim normama.

Bilo koja djelatnost vezana za regulaciju i sl., mora biti provedena samo kada je aparat isključen i prekinut dovod plina i/ili vode. Dok aparat ne isključite i odpojite, budite maksimalno oprezni i pažljivi prilikom rukovanja.

Kakav trebate koristiti odvod dima, možete vidjeti na naljepnici sa deklaracijom tipa aparata, radi se o aparatima tipa A1.

## PROVEDBA ODVODA PLINA

Uredjaje tipa A (pogledaj naljepnicu sa karakteristikama) moramo instalirati u prostoru koji je dovoljno odvetran, a to u tom smislu, da u njemu nije moguća veća koncentracija štetnih plinova ili dima. Tim se podrazumijeva da sam aparat nema svoj dimnjak i nije spojen sa drugim aparatom koji bi već imao svoj odvod dima.



Odvod digestora je u samom tijelu dimnjaka (A). Odvod dima, osigurava prirodno odvetranje dimnjaka.

Odvod digestora nema prirodno odvetranje. To obezbijedjuje ventilator (D), (mehanički odvod). U tom slučaju, obavezno je spojiti dovod plina (B) sa odvodem dima, ukoliko bi došlo do nestanka elektr. energije.

## BEZBJEDNOSNE MJERE PROTIVPOŽARNE ZAŠTITE

- Koristiti uređaj smiju samo odrasle osobe.
- Uređaj smije biti korišten samo u tome namijenjenom prostoru.
- Uređaj postavite tako da stoji na vatrostalnoj podlozi.

**Na uređaj i u njegovoj blizini ne smiju biti postavljeni lako zapaljivi predmeti (najmanja dozvoljena udaljenost između aparata i zapaljivih materijala je 10 cm).**

• Informacije o stupnju zapaljivosti uobičajenih građevinskih materijala možete vidjeti na tabeli. Uređaj mora biti instaliran na bezbjednom mjestu. Prilikom instalacije moraju biti respektovani priloženi projektni materijali, sigurnosni i higijenski propisi.

<b>Stupanj zapaljivosti</b>	<b>Gradjevinski materijal</b>
<b>A</b> - nezapaljive	granit, pijesak, beton, cigle, keramičke pločice, žbuka
<b>B</b> - teško zapaljive	akumin, heraklit, lihnos, itaver
<b>C1</b> - veoma zapaljive	drvo, sirkoklit, tvrdi papir, sadrokarton
<b>C2</b> - srednje zapaljive	iverica, solodur, pluto, guma, linoleum
<b>C3</b> - lehce hořlavé	dřevovláknité desky, polystyrén, polyureten, PVC

**Uređaji moraju biti instalirani na bezbjedan način. Prilikom instalacije uređaja moraju biti**

## PRIKLJUČIVANJE EL. KABLA U STRUJU

Instalacija dovoda struje - taj dovod mora imati svoj poseban osigurač. A to odgovarajući prema snazi i naponu instalovanog aparata. Ove podatke ćete naći na naljepnici sa zadnje ili bočne strane aparata.

Uzemljenje može biti duže od ostalih spojnica. Uređaj pripojite direktno na struju, a neophodno je da instalirate između uređajem i strujom prekidač, i to na udaljenosti 3mm između samostalnim kontaktima, tako da bi odgovarao važećim normama i opterećenju. Uzemljenje (žuto-zeleno) ne smije biti tim prekidačem prekinuto. Aparat je predviđen da se uključi u utičnicu, ukoliko ima odgovarajući osigurač.

U svakom slučaju, dovod mora biti postavljen tako da kabel niti na jednom mjestu ne može imati toplotu višu za 50 stupnjeva od sredine u kojoj se nalazi. Prije nego što kabel spojite, uvjerite se da:

- osigurač i razvodi mogu podnijeti opterećenje samog aparata (pogledaj naljepnicu)
- razvodi imaju odgovarajuće uzemljenje a to prema normama i uslovima određenim zakonom
- utičnica ili prekidač su lako pristupni.

**Ne preuzimamo bilo kakvu odgovornost u slučaju da se nisu dane instrukcije respektovale ili ako se nije postupalo prema danim uputama.**

**Prije prve upotrebe pročitajte poglavlje „čišćenje i održavanje“. Uređaj mora biti uzemljen pomoću već označenih šarafa.**

## SPAJANJE PRIVODA PLINA DO APARATA

Kod spajanje uređaja sa plinom trebamo koristiti čeličnu ili bakarnu cijev, a to prema zakonima dane države. Ta mora biti redovno kontrolisana i izmijenjana ukoliko je to potrebno. Svaki uređaj mora imati odgovarajući zatvarač i havarijni zatvarač. Havarijni zatvarač mora biti lako dostupan i na dohvat aparata. Kada završimo instalaciju, moramo prekontrolisati propusnost plina. Da bi to učinili, možemo koristiti rastvor vodu i sapuna koji će nam otkriti eventualno „curenje“ plina.

Ne koristite materijale koji mogu uzrokovati koroziju! Svi naši uređaji su pažljivo prekontrolisani. Tip plina, tlak i označene kategorije se nalaze na naljepnici proizvoda.

Spoj na kapalni plin:

Tlak za spajanje kapalnog plina mora biti 28 ili 30 mbar za propan/butan i 37 mbar za propan. Ali, u svakom slučaju, prekontrolišite naljepnicu, izmjerite pritisak i prekontrolišite parametre instalirane mlaznice, uporedite je sa parametrima koji su propisani proizvođačem. Ukoliko je pritisak niži od 25 mbar ili viši od 37 mbar **NE SMIJE BITI UREDJAJ PRIKLJUČEN NA PLIN!!!**

Spoj na zemni plin:

Tlak za spoj na metan mora biti 18 ili 20 mbar. Obavezno prekontrolišite naljepnicu, izmjerite pritisak i prekontrolišite parametre mlaznice, uporedite ih sa onim koji su propisani proizvođačem. Ukoliko je pritisak niži od 15 mbar ili viši od 22,5 mbar **NE SMIJE BITI UREDJAJ PRIKLJUČEN NA PLIN!!!**

# KONTROLA PODEŠAVANJA APARATA NA ODREDJENI TIP PLINA

Prije svega prekontrolišite da li je uređaj uopšte predviđen za taj tip plina koji koristite. Na naljepnici svakog aparata možemo naći za koji tip plina je predviđen.

## UPUTE ZA IZMJENU TIPA PLINA

Uređaji su podešeni i kontrolisani na zemnom plinu (vidi naljepnicu aparata). Izmjena na drugi tip plina mora biti provedena kvalifikovanom osobom, mlaznice predviđene za drugi tip plina se nalaze u paketu sa uputstvom.

## IZMJENA MLAZNICE GLAVNOG GORIONIKA (sl. 3 i 4)

Tijekom izmjene mlaznice glavnog plamenika treba postupati na sljedeći način: 1) uklonite kontrolne tipke sa prednje ploče 2) demontirajte prednju ploču 3) radi lakšeg pristupa također preporučamo demontažu zadnje ploče (ukoliko je to moguće) 4) Prema slici 2 izvadimo mlaznicu sa glavnog plamenika te zamjenimo mlaznicama prema tablici „**TEHNIČKI PODACI**“ 5) Namjestimo dovod zraka za pripadajući plin prema tablici „**TEHNIČKI PODACI**“.

Plamenik pilot podesimo tako da ključem popustimo sigurnosnu maticu, nakon toga uklonimo mlaznicu plamenika pilot (sl.3, pr.1) s oprugom (sl.3, pr.2,3) te zamjenimo mlaznicom za pripadajući plin prema tablici. Poklopac mlaznice stegnemo pomoću ključa te podesimo režim „ekonomično“, vidi tekst dolje.

Važno:

Prilikom izmjene tipa plina, izmijenite taj podatak na naljepnici aparata. Kontrola rada aparata:

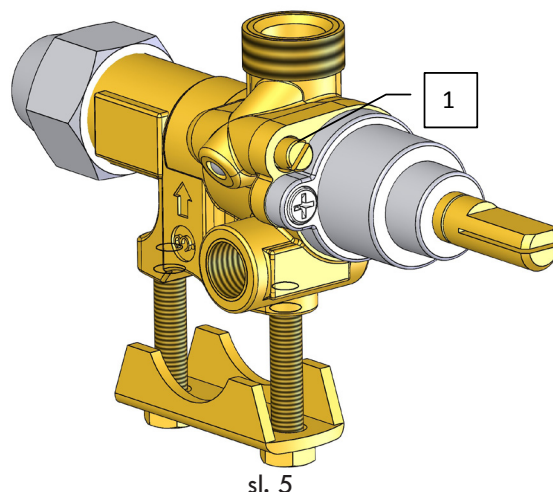
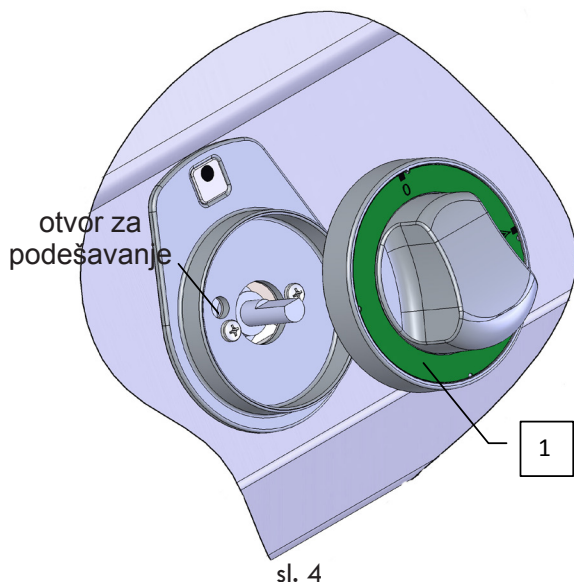
- prekontrolišite da li negdje ne dolazi do ispuštanja plina
- prekontrolišite paljenje i gorenje glavnog gorionika
- prekontrolišite plamen gorionika na min. snazi (štednja)
- isprobajte da li plamen dodiruje termočlanak i da li je plav
- korisniku se preporučuje da prilikom korištenja aparata postupa prema uputama.

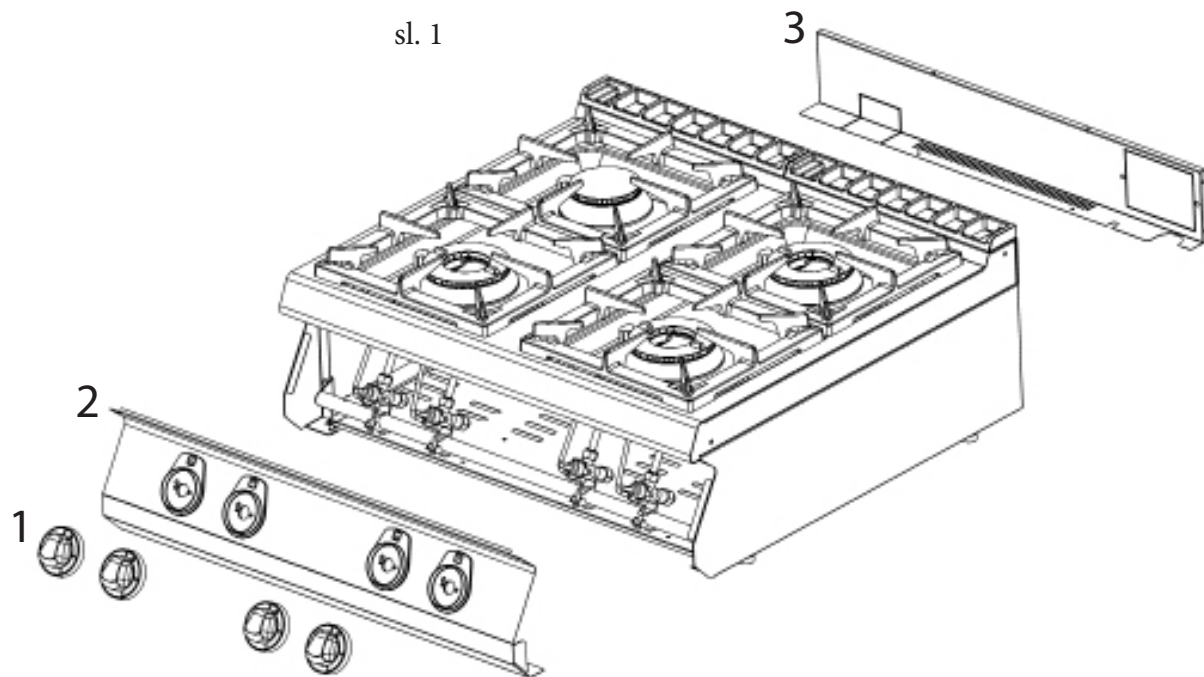
## PODEŠAVANJE PLAMENA NA SMANJENOJ SNAZI (ŠTEDNJA)

Plamen, kada je podešen na minimalnu jačinu, se podešava šarafom smještenim u tijelu slavine pored grla.

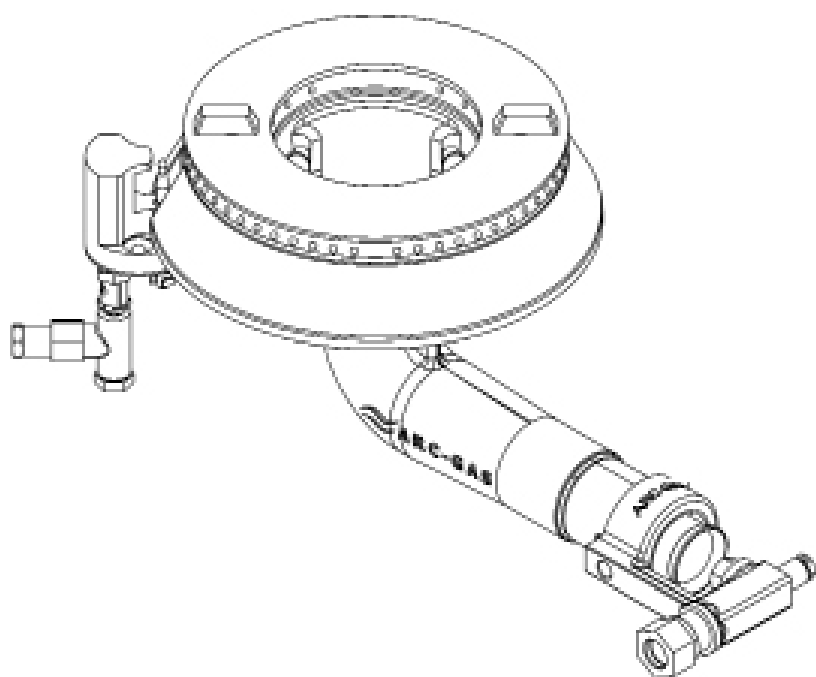
Prilikom podešavanja, uradite sljedeće:

- skinite regulacijsko dugme (povučete ga k sebi)
- pored grla je otvor za podešavanje
- pomoću malog ravnog šarafcigera podesite plamen

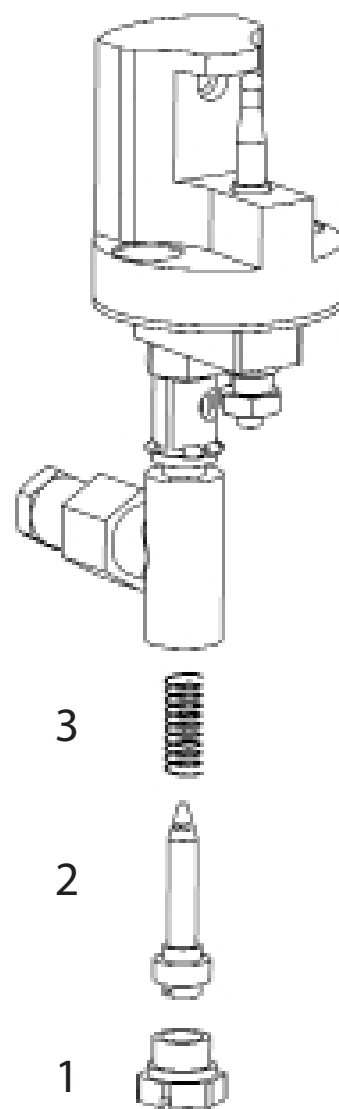




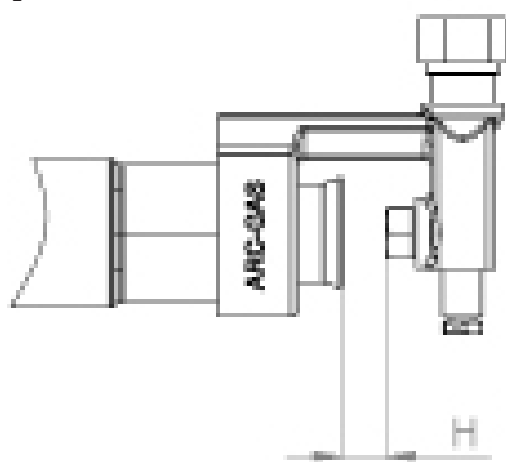
sl. 2



sl. 3



sl. 4





## UPUTE ZA IZMJENU TIPA PLINA

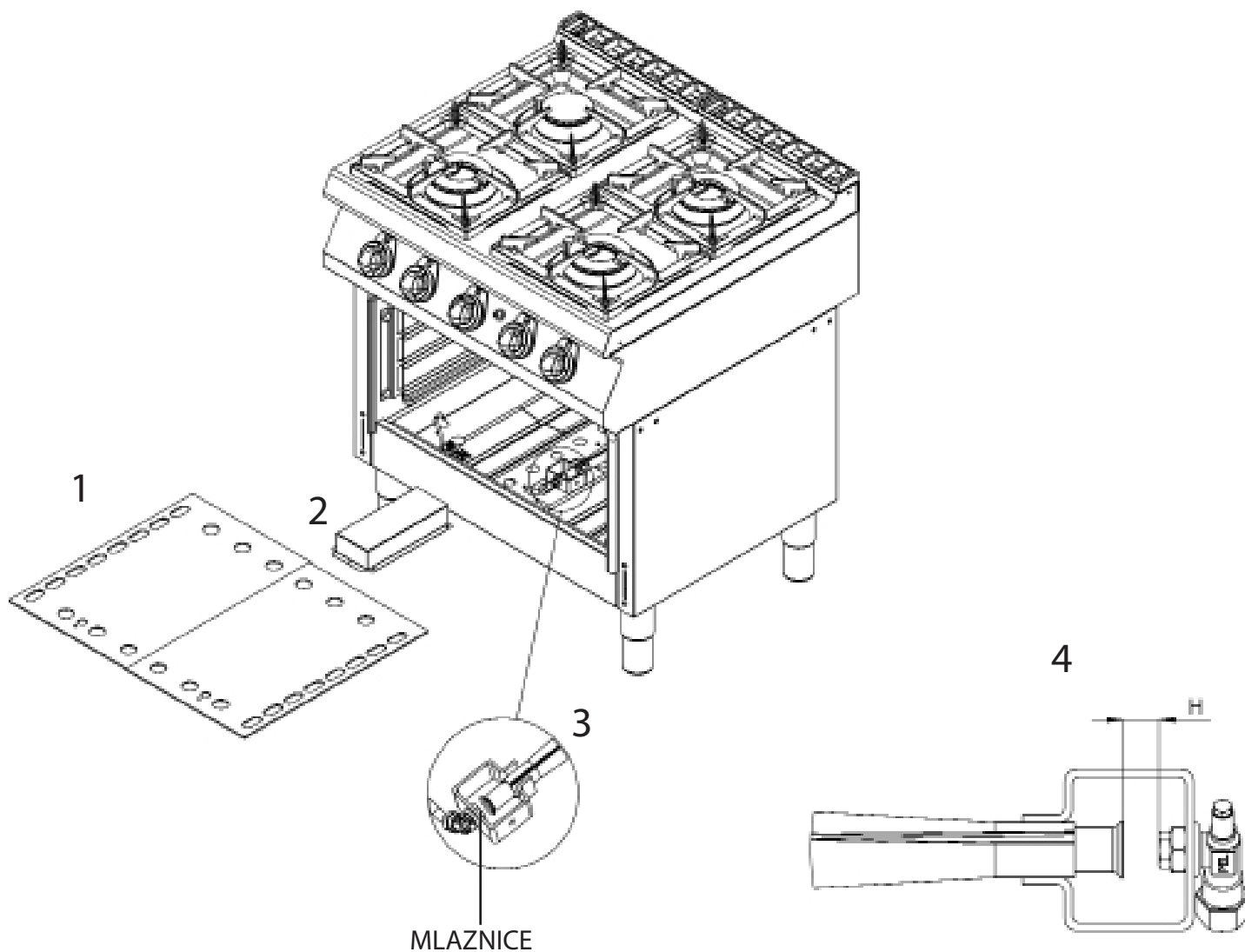
Uredjaji su podešeni i kontrolisani na zemnom plinu (vidi naljepnicu aparata). Izmjena na drugi tip plina mora biti provedena kvalifikovanom osobom, mlaznice predviđene za drugi tip plina se nalaze u paketu sa uputstvom.

Prije svega prekontrolišite da li je uređaj uopšte predviđen za taj tip plina koji koristite. Na naljepnici svakog aparata možemo naći za koji tip plina je predviđen.

### IZMJENA MLAZNICE GLAVNOG GORIONIKA (pećnica)

Prilikom izmjene mlaznica plamenika pećnice potrebno je postupati na sljedeći način:

- 1) Otvorite vrata pećnice i izvadite zaštitni pleh pećnice (lažno dno komore).
- 2) Demontirajte pokrov dovoda plamenika (sl. 1)
- 3) Prema slici 2 izvadimo mlaznicu sa glavnog plamenika te zamjenimo mlaznicama prema tablici „**TEHNIČKI PODACI**“
- 4) Namjestimo dovod zraka za pripadajući plin prema tablici „**TEHNIČKI PODACI**“. (sl. 4)



## UPUTSTVO ZA UPOTREBU

Pozor! Prije nego što počnete uređaj koristiti skinite zaštitne folije, a potom ga operite vodom i deterdžentom, te obišite vlažnom krpom.

Paljenje i regulacija gorionika (sl. 1, 2)

Dajte reg. dugme odgovarajućeg gorionika (A) u položaj „zapalite gorionik“, potom ga pritisnite i pridržite. Kada ga zapalite, pridržite dugme (A) još nekoliko sekundi, dok se ne zagrije termoosigurač, potom dugme pustite. Ukoliko se plamen ugasi, cijeli proces ponovite.

Snižena jačina, štednja (sl. 2)

Okrenite dugme (1) u položaj „štednja“, time ćete smanjiti jačinu i potrošnju plina.

Isključivanje gorionika (sl. 2 )

Samo okrenite dugme (1) u položaj “0“

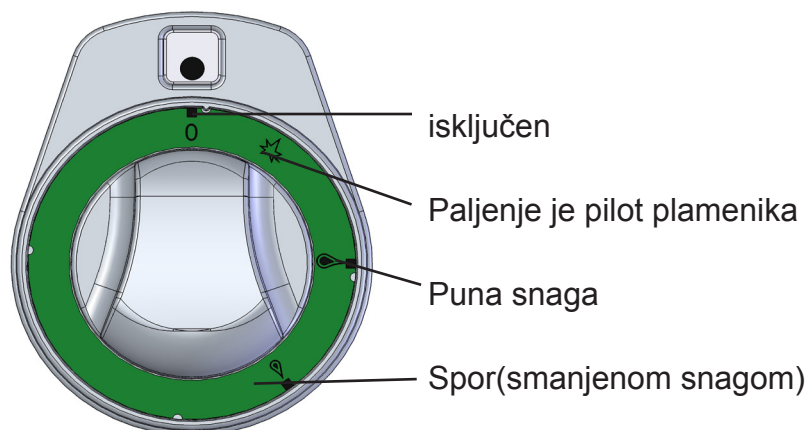
Upute na odvod dima i plinskih isparavanja

Uređaj tipa A (viz naljepnicu sa karakteristikama; t.j. uređaj koji nije predviđen za spajanje sa dimnjakom, niti drugim uređajem koji ima dimnjak) mora biti postavljen u prostoru koji ima dovoljno dobro odvjetrovanje tako da ne bi dolazilo do prevelike koncentracije plinskih isparavanja, odnosno dima.

### OVLADANJE (SL. 2)



① gumb za upravljanje



## **KORIŠTENJE KONVEKCIJSKE PEĆNICE**

Okretanjem regulacijskog dugmeta udesno, dolazi do paljenja ventilatora. To je signalizirano zelenim svjetlom. Prilikom sljedećeg pomjeranja udesno, zadajemo željenu toplotu. Rad grijača je signaliziran narandžastim svjetlom. U slučaju njegovog gašenja, znamo da smo postigli željenu toplotu. Pećnicu isključujemo tako što dugme damo do pozicije 0.

## **KORIŠTENJE KLASIČNE PEĆNICE**

Prekidačem odredimo da li ćemo peći pomoću gornjih i donjih grijača (položaj 1), odnosno donjima (pol. 3) ili gornjima (pol. 2). To je signalizirano zelenim svjetlom. Regulacijskim dugmetom odredimo željenu toplotu. Rad grijača kontroliše narandžasto svjetlo, kada se ugase postigli smo traženu toplotu. Pećnicu isključujemo postavljanjem oba dugmeta u položaj 0.

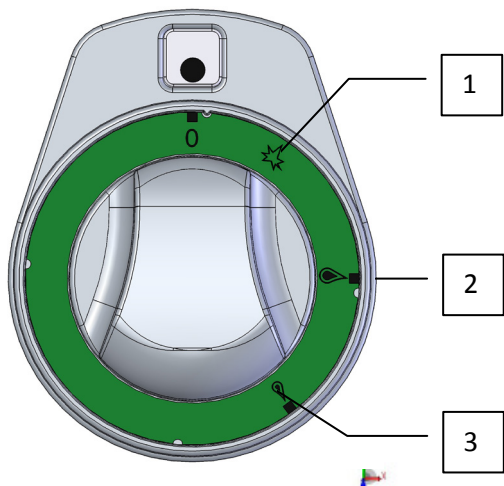
## **KORIŠTENJE PLIN PEĆI**

Dajte reg. dugme odgovarajućeg gorionika u položaj „zapalite gorionik“, potom ga pritisnite i pridržite. Kada ga zapalite, pridržite dugme još nekoliko sekundi, dok se ne zagrije termoosigurač, potom dugme pustite. Ukoliko se plamen ugasi, cijeli proces ponovite. To je moguće provjeriti plamen kroz otvor na inspeksijskog pećnica kat (dolje).

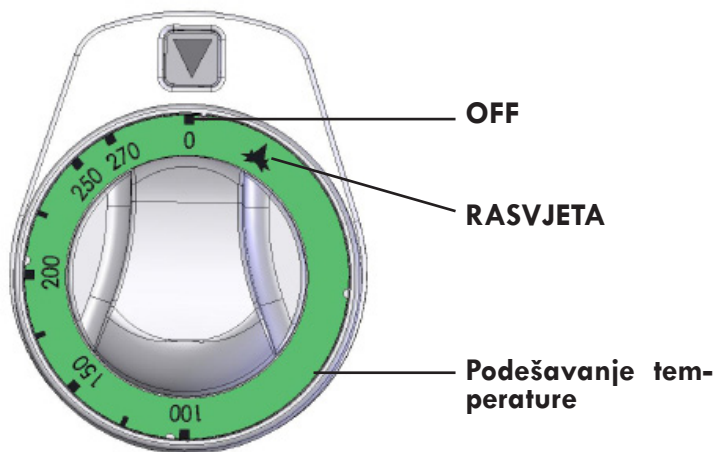
Pozor! - Kad je pećnica na, vrata se ne mora ostati otvorena, jer bi to moglo oštetiti toplina i gumb.

# KONTROLA

reg. dugme odgovarajućeg gorionika

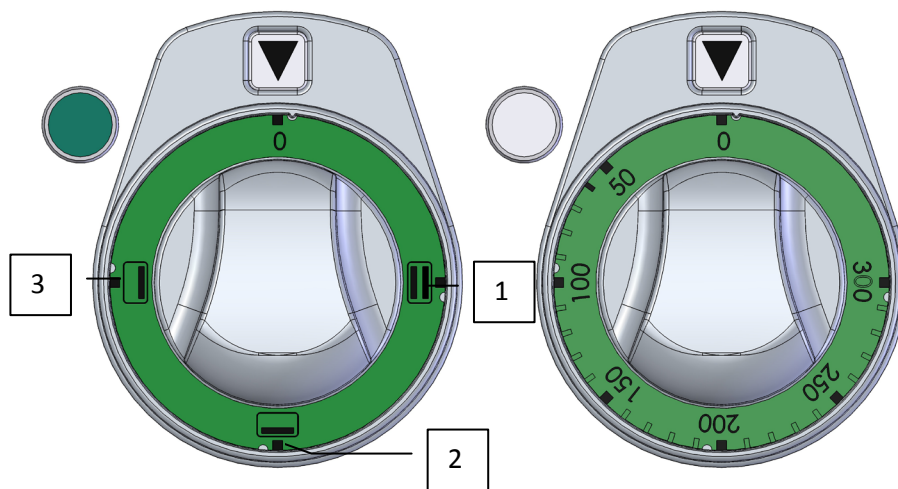


reg. dugme odgovarajućeg PEĆNICI

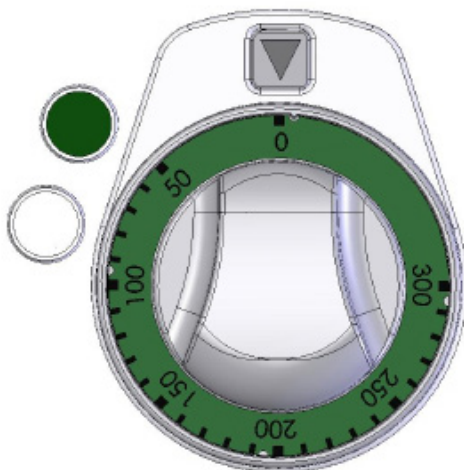


STACIONARNI Isključite pećnicu

Reg. dugme odgovarajućeg STACIONARNI PEĆNICI




Reg. dugme odgovarajućeg FAN PEĆNICI



## ČIŠĆENJE I ODRŽAVANJE

Aparat prekontrolirate barem 2 x godišnje autorizovanim serviserom. Bilo kakve oprave ili instalacije mogu biti provedene samo kvalifikovanom osobom koja je za takve zadatke odgovorna.

### POZOR!

 Aparat ne smijete čistiti vodom koja je pod pritiskom; npr. tuš, crijevo. Čistite ga svakodnevno. Dnevno održavanje produžava život i upotrebnu vrijednost aparata. Prije početka čišćenja, provjerite da li ste aparat isključili iz struje. Uvijek provjerite glavni dovod. Dijelove od nehrdjajućeg čelika čistite vlažnom krpom i tekućim deterdžentom za sudje, potom operite čistom vodom i detaljno osušite. Nemojte koristiti abrazivna ili korozivna sredstva za čišćenje.

**Pozor!** Prije nego što počnete uređaj koristiti, obavezno sa njega skinite zaštitne folije i operite ga prema gore navedenim uputama.

Šta učiniti u slučaju kvara?

Isključite aparat iz struje i nazovite autorizovani servis.

## UPOZORENJE

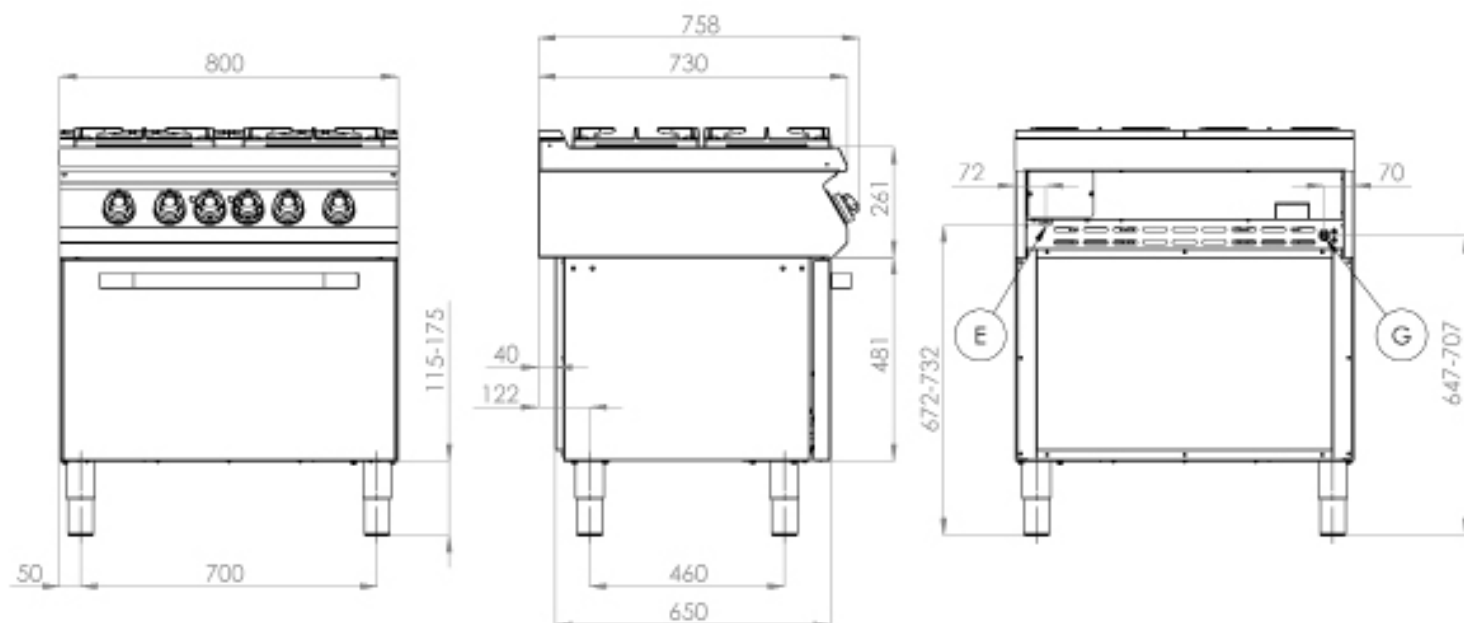
Garancija se ne odnosi na potrošne dijelove (kao što su: gumice, lampice, stakleni i plastični dijelovi...). Garancija se također ne odnosi na uređaj koji nije priključen i instaliran prema uputama, odgovornim serviserom, a prema danim normama. Isto tako, ukoliko su bile napravljene izmjene ili oprave koje nisu predviđene (oprave unutrašnje instalacije) ili ako je uređaj korišten nepoučenim ili neprofesionalnim osobljem, odnosno protivno instrukcijama navedenim u uputstvu za upotrebu. Također, garancija ne vrijedi ukoliko ja aparat oštećen vanjskim ili klimatskim uticajima.

**Neophodno je provoditi kontrolu uređaja svakih 6 mjeseci. Tu kontrolu treba da provede autorizovani serviser. U slučaju ne održavanja ove preporuke, proizvođač se ograđuje od bilo kakve odgovornosti za štetu na imovini ili zdravlju.**

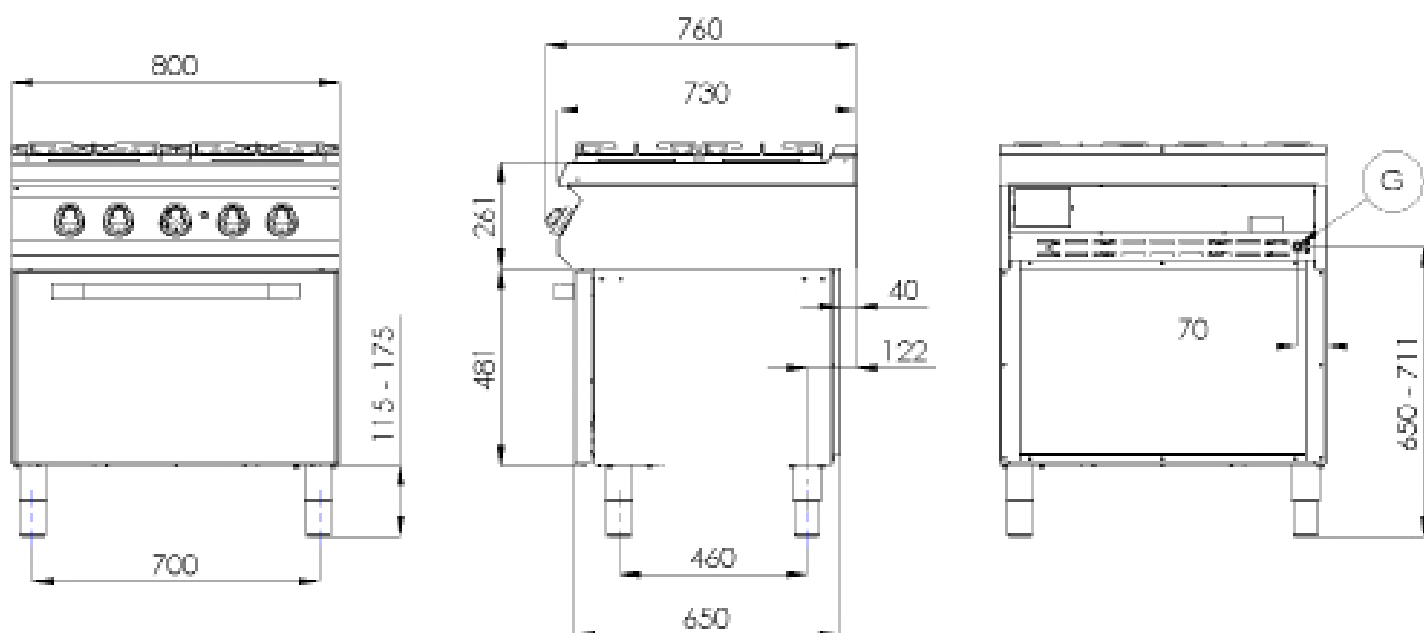
**Ambalažu pakovanja i uređaj poslije kraja njegove upotrebne vrijednosti, predajte na otpad, a to prema danim propisima o likvidaciji.**

## DIMENZIONALNA SLIKA

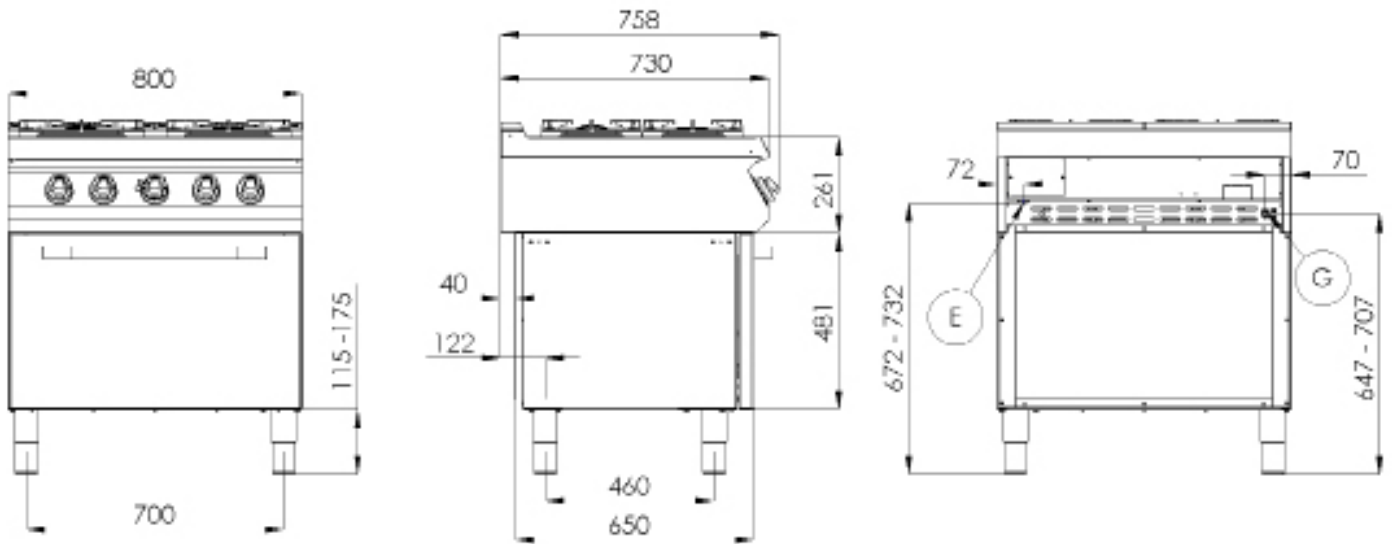
### SPT-780-21 GE



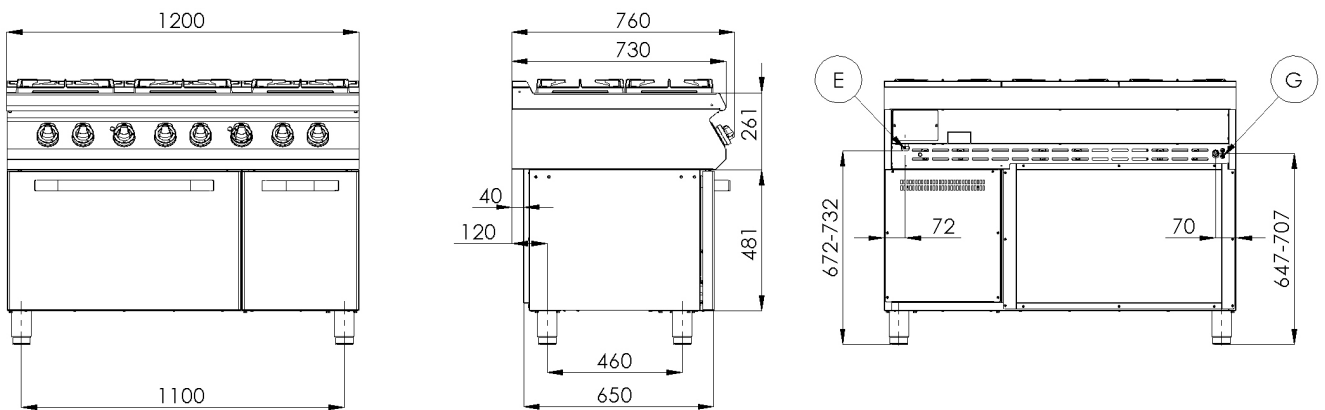
### SPT-780-21 G



## SPT-780-11 GE

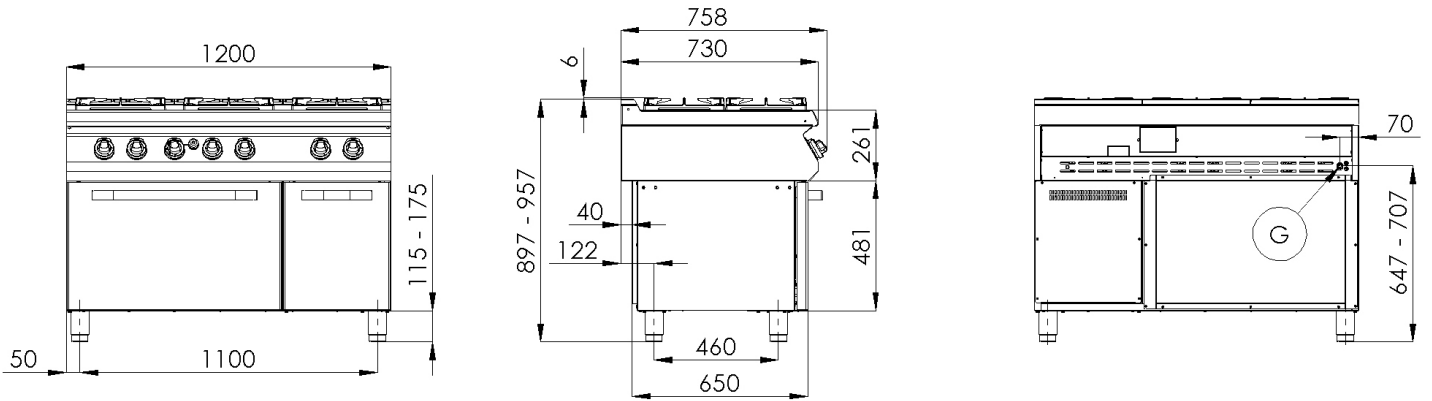


## SPT-7120-21 GE

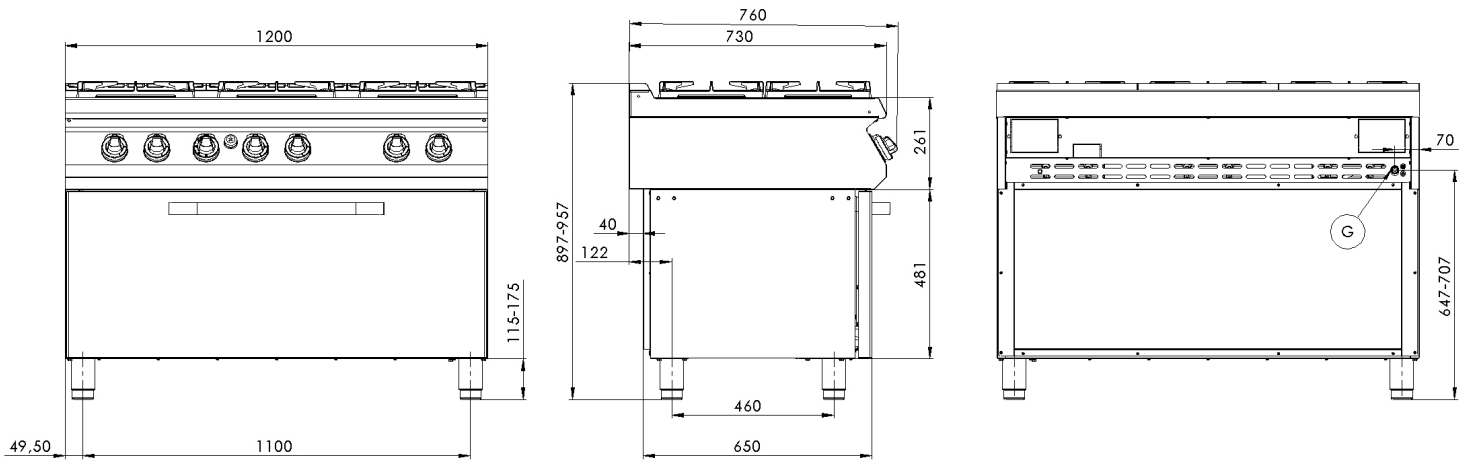




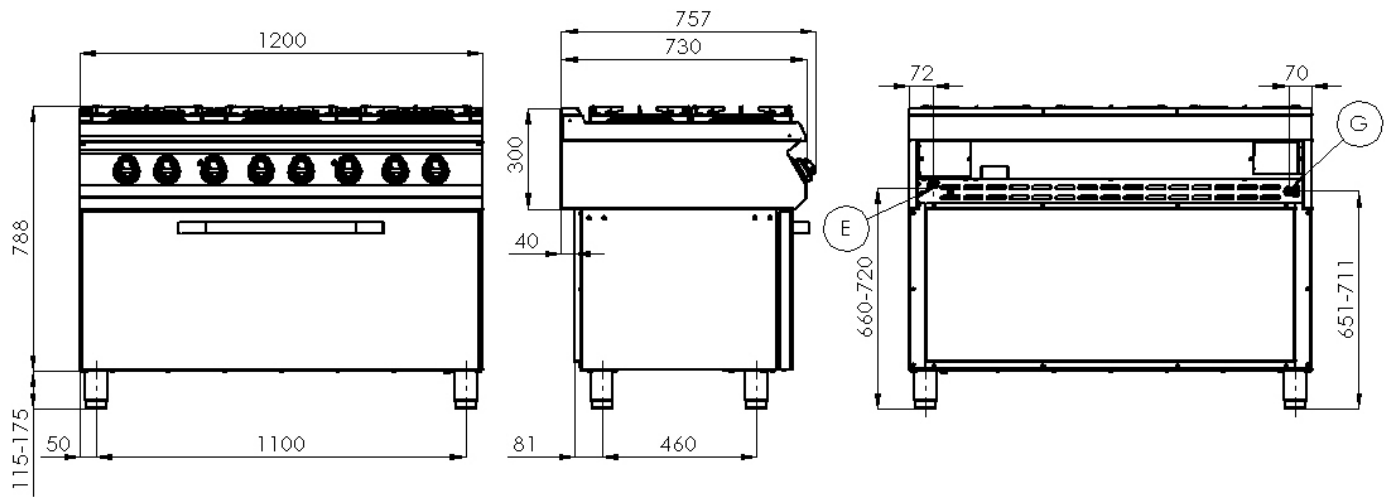
## SPT-7120-21 G



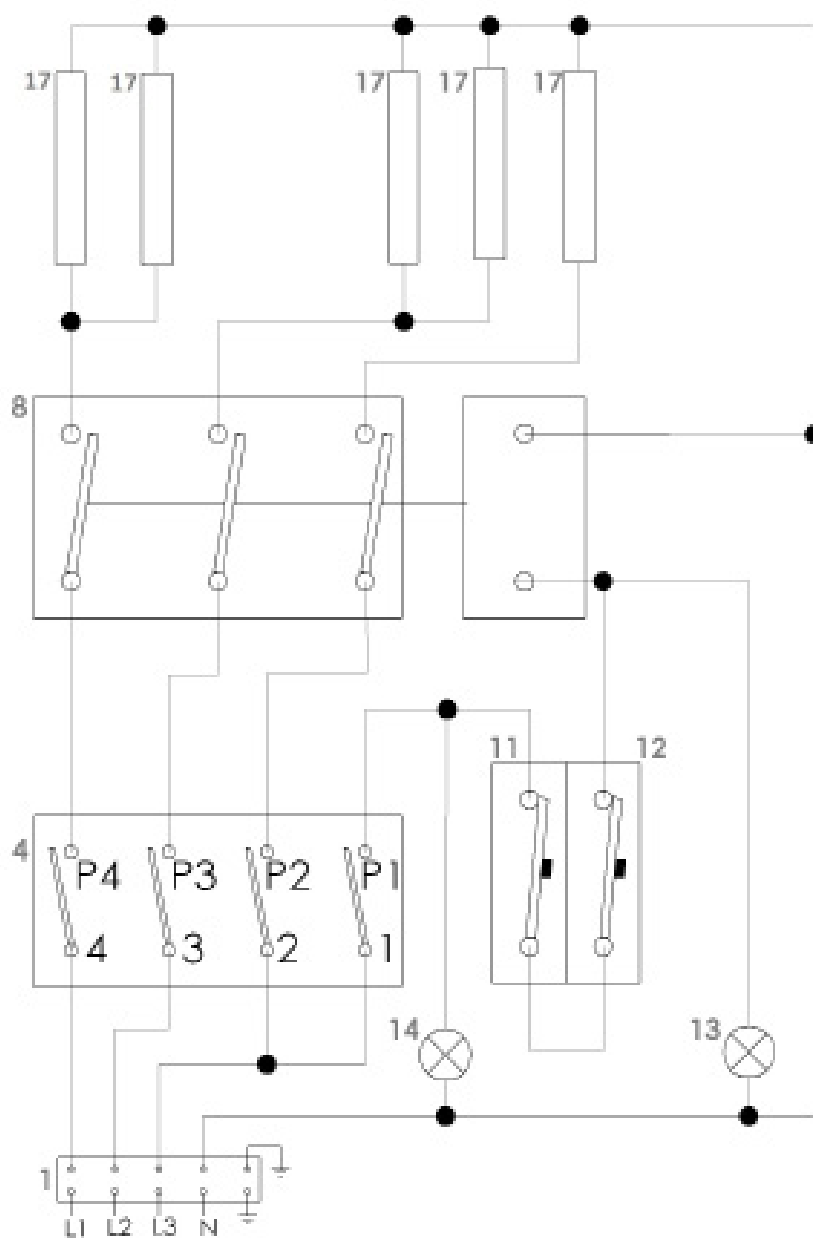
## SPT-7120-31 G



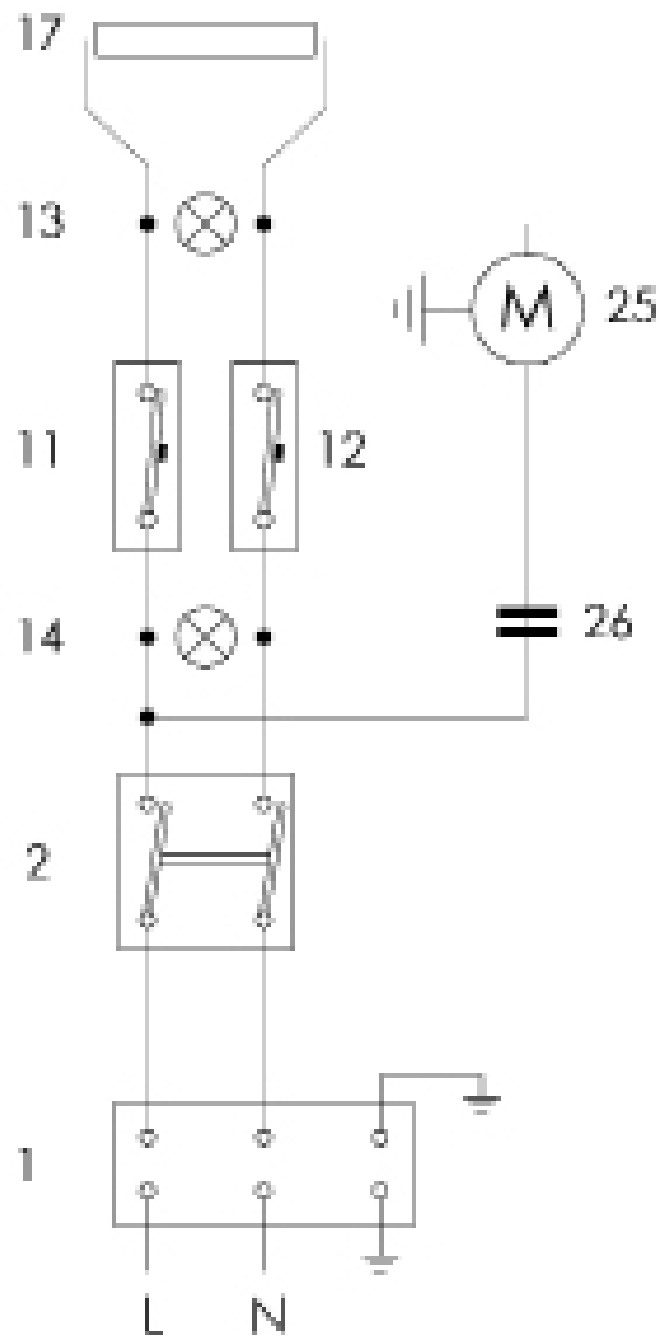
# SPT-7120-31 GE



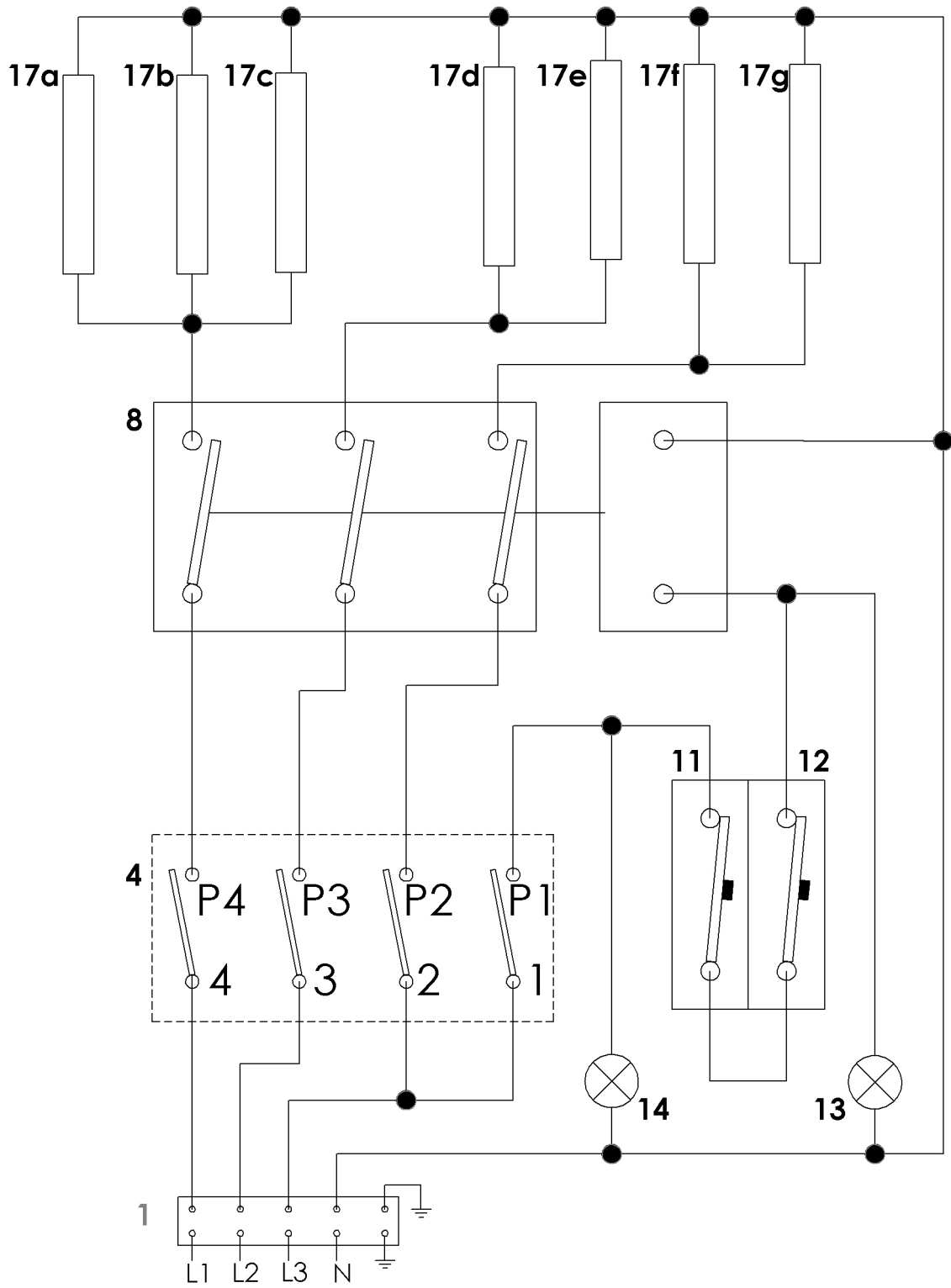
# STACIONARNI ELEKTRIČNI ŠTEDNJAK



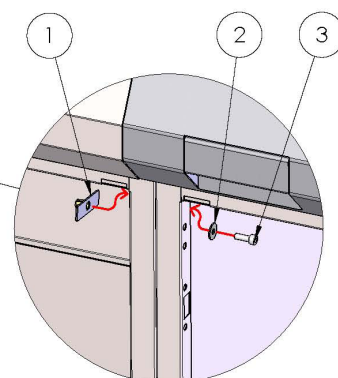
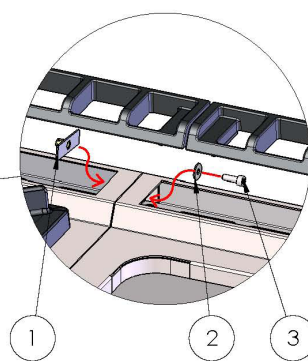
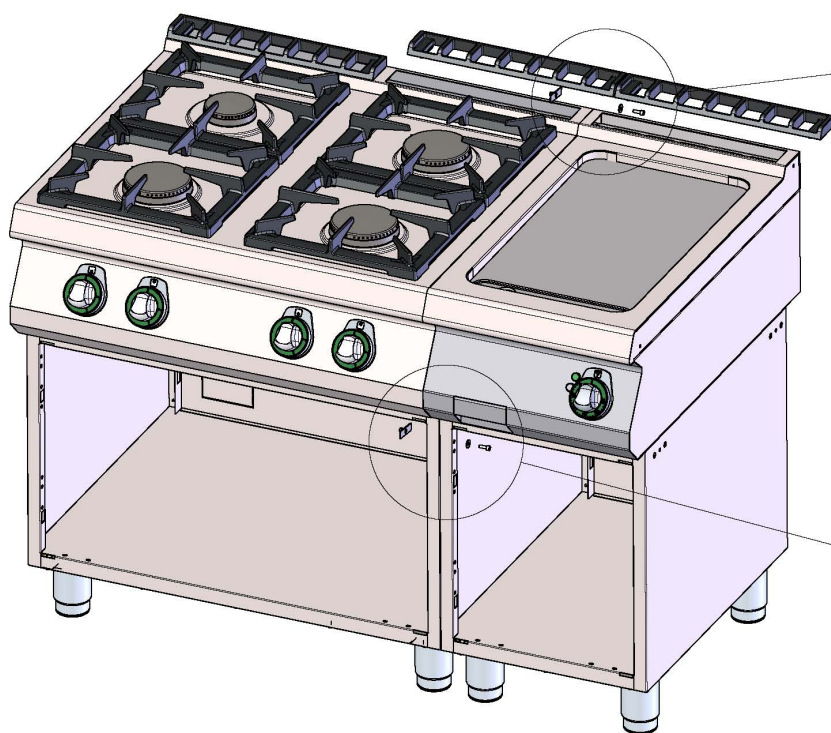
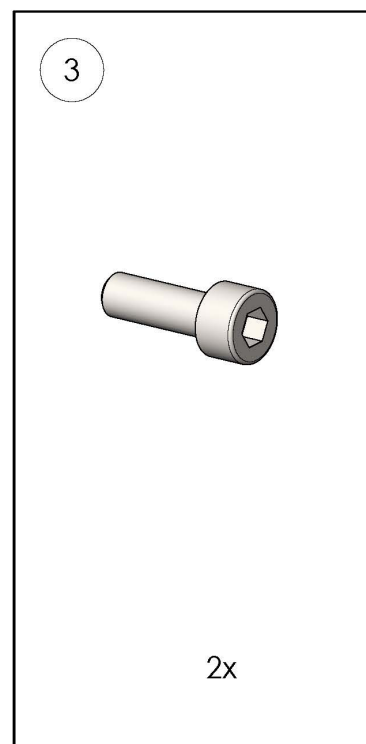
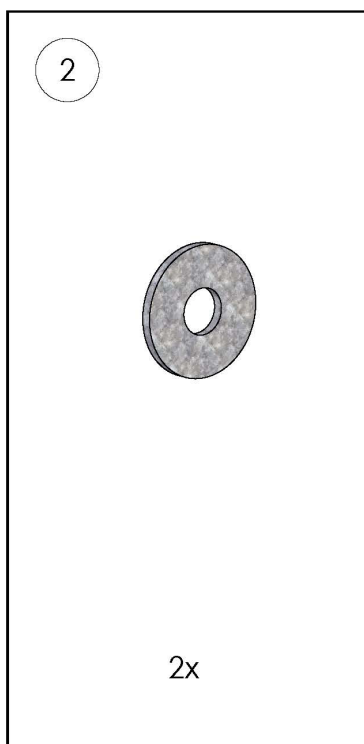
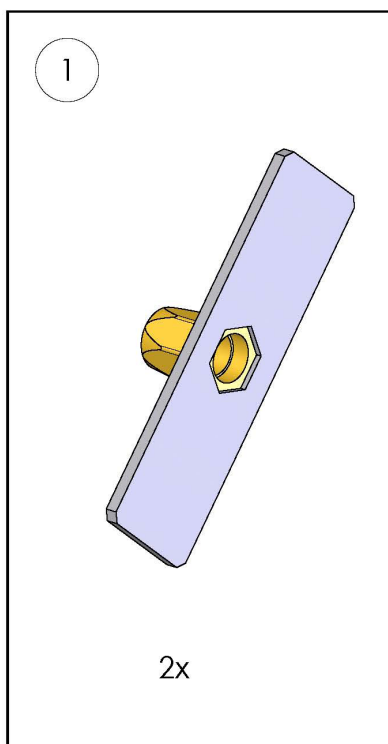
# ELEKTRIČNA KONVEKCIJA PEĆNICA



# SPT-7120-31 GE



# priključak modula



## DECLARAȚIE DE CONFORMITATE CU NORMELE

Producătorul declară că aparatele sunt conforme cu normele 2009/142/ES, cu legea nr. 22/1997 sb., 22/2003 sb., 258/2000 sb., 38/2001 sb. și cu prevederile relevante ale Guvernului. Instalarea trebuie efectuată în conformitate cu normele actuale. Atenție, producătorul nu-și asumă răspundere în cazuri de defecțiuni directe sau indirecte, datorate instalării sau modificărilor incorecte, întreținerii necorespunzătoare, utilizării defectuoase, sau care sunt rezultatul altor cauze decât cele menționate în punctul despre condițiile vânzării. Acest aparat este destinat exclusiv spre utilizare specializată și trebuie deservit de către personal calificat. Piesele, care au fost sigilate de către producător sau un lucrător împuternicit în acest sens nu pot fi remontate

## DATE TEHNICE

Menționăm faptul că echipamentul cu caracteristicile tehnice descrise în prezentul manual nu se încadrează în categoria echipamentelor pentru uz casnic, echipamentul fiind destinat în exclusivitate uzului comercial, de către personal calificat.

Plăcuța cu datele tehnice este amplasată pe partea din spate a aparatului. Înainte de a instala aparatul studiați cu atenție informația de pe aceasta.

Typ	puterea cuptorului (kW)	tensiunea de alimentare	leșirea arzătorului (kW)	Dimensiuni (mm)	greutatea produsului (kg)
SPT-780-21 GE	6,3 kW (electric)	400/3N/50	3x 7,5kW + 1x 4,5 kW	800 x 750 x 933 v	94
SPT-780-21 G	6 kW (gas)	-	3x 7,5kW + 1x 4,5 kW	800 x 750 x 933 v	98
SPT-780-11 GE	3,13 kW (aircondition)	230/50	3x 7,5kW + 1x 4,5 kW	800 x 750 x 933 v	84
SPT-7120-21 GE	6,3 kW (static)	400/3N/50	4x 7,5kW + 2x 4,5 kW	120x73x90 h	139
SPT-7120-21 G	6 kW (static)	-	4x 7,5kW + 2x 4,5 kW	120x73x90 h	150
SPT-7120-31 GE	8,7 kW (static)	400/3N/50	4x 7,5kW + 2x 4,5 kW	120x73x90 h	155
SPT-7120-31 G	10,5 kW (gas)	-	4x 7,5kW + 2x 4,5 kW	120x73x90 h	166



## VERIFICAREA AMBALAJULUI ȘI APARATULUI

Aparatul iese din depozitele noastre ambalat în mod reglementar, cu indicarea simbolurilor și însemnelor corespunzătoare. Ghidul de deservire corespunzător se găsește în ambalaj. Dacă ambalajul prezintă semne de manevrare necorespunzătoare sau urme de deteriorare, este necesar de atenționat transportatorul și de a face un proces verbal de deteriorare.

### Avertismente importante

-Produsul este destinat utilizării numai în interior.

Nu folosiți niciodată dispozitivul cu sursa sau fișa de alimentare deteriorate sau dacă nu funcționează corect, a căzut pe jos și s-a deteriorat sau dacă a căzut în apă. În astfel de cazuri duceți dispozitivul la un service specializat pentru a i se verifica siguranța și funcționarea corectă

- Acest ghid trebuie citit cu atenție pentru că conține informații importante despre securitate, instalare și utilizare
- Următoarele recomandări se aplică acestui produs
- Produsul este conform cu normele actuale
- Acest ghid trebuie păstrat pentru utilizarea ulterioară
- Împiedicați manipularea aparatului de către copii
- La vânzare sau relocare asigurați-vă că deservirea aparatului va fi efectuată în conformitate cu instrucțiunile din ghidul anexat
- Produsul poate fi deservit doar de către personalul instruit
- Poate fi utilizat doar pentru prepararea produselor alimentare
- Să nu fie lăsat fără supraveghere
- Se recomandă o inspectare specializată minim 1 data pe an
- În cazul unei reparații piesele trebuiesc înlocuite doar cu piese de schimb originale
- A nu se curăța produsul cu jet direct de apă sau apă sub presiune
- În caz de defectare sau disfuncție a aparatului se cere de a deconecta orice alimentare (apă, electricitate, gaz) și de apelat la un servis autorizat
- Producătorul nu-și asumă răspundere în cazul defecțiunilor datorate instalării incorecte, nerespectării avertismentelor susmenționate, utilizării în alte scopuri, etc.

## INSTALAREA

Instrucțiuni tehnice pentru instalare și reglare

Destinat DOAR utilizării de către tehnicieni specializați.

Instrucțiunile următoare sunt destinate tehnicianului calificat pentru reparație: Toate operațiunile trebuie să fie efectuate cât mai atent și în conformitate cu normele actuale!!!

### Important:

Orice activitate de reglare a aparatului trebuie efectuată după deconectarea acestuia de la rețeaua electrică. Dacă e nevoie de lăsat aparatul sub tensiune, se cere să fiți mai atenți!

### AMPLASAREA

Pentru asigurarea funcționalității aparatului, spațiul (bucătăria) unde va fi amplasat acesta trebuie să fie bine aerisit (referitor la aceasta: tehnicianul să urmeze normele actuale ale CȘN )

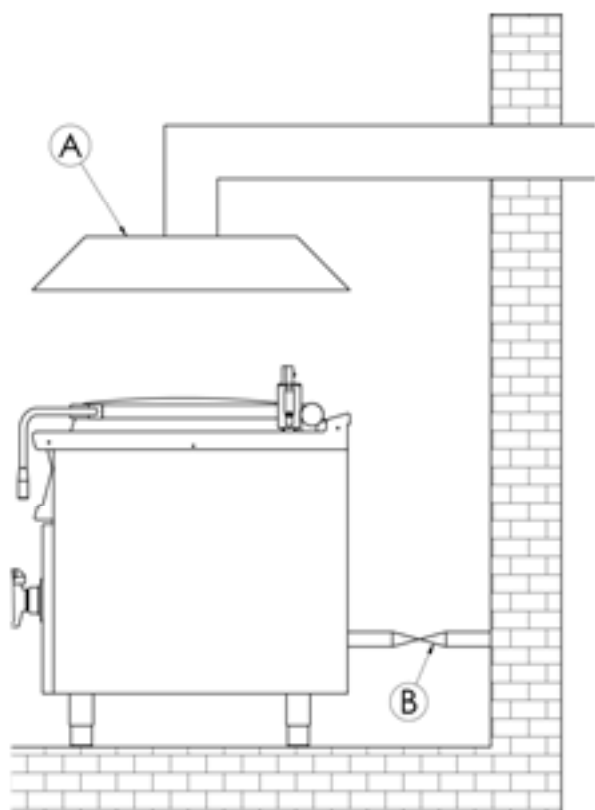
Dacă aparatul e instalat în așa fel încât are contact cu suprafața mobilierului, acestea trebuie să fie rezistente la temperaturi de 60°C. Instalarea, reglarea și darea în exploatare trebuie să fie efectuate de către o persoană calificată, care este autorizată în acest sens și în conformitate cu normele în vigoare.

Despachetați aparatul și verificați dacă nu a fost avariat în timpul transportării. Amplasați aparatul pe o suprafață orizontală (deviere maximă până la 2°). Amplasați aparatul sub hotă ca să fie eliminat mirosul și aburii.

Aparatul poate fi instalat separat sau în serie cu alte produse din gama noastră. Este necesar de a păstra o distanță minimă de 10cm de alte obiecte și de a evita contactul cu obiectele inflamabile. În astfel de cazuri se cere izolarea termică a pieselor inflamabile.

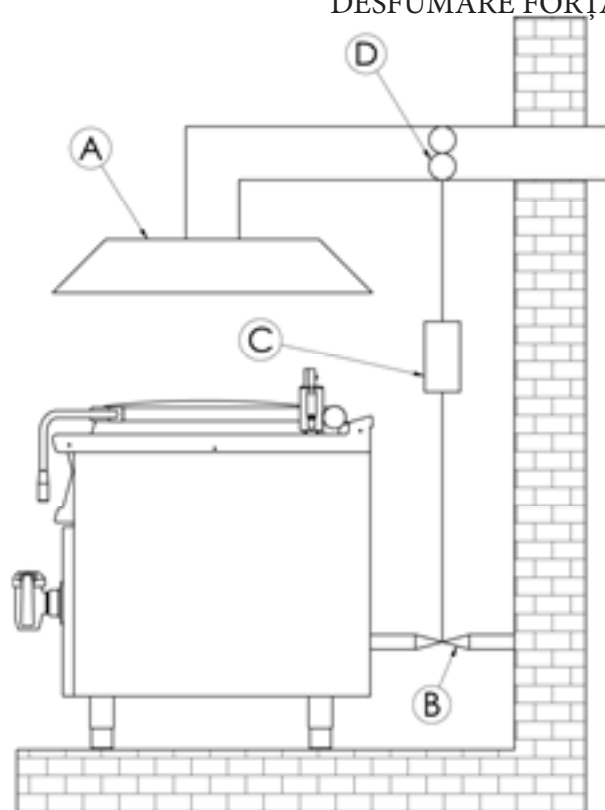
# EVACUAREA GAZELOR DE ARDERE

## DESUFUMARE NATURALĂ



Racordul nișei este într-un corp de coș separat (A). Evacuarea gazelor de ardere este asigurată de tiraj natural al coșului.

## DESUFUMARE FORȚATĂ



Racordul nișei este prevăzut fără desfumare naturală. Evacuarea gazelor de ardere este asigurată cu ajutorul ventilatorului (D), (DESUFUMARE FORȚATĂ). În acest caz este strict necesar a se asigura interconectarea cu admisiunea gazelor (B) pentru oprirea admisiunii gazelor în caz de întrerupere de alimentare.

## CONTROLUL RANDAMENTULUI TERMIC

Consumatoare electrice trebuie să fie controlate pentru a se verifica randamentul lor termic:

Randamentul termic este însemnat pe plăcuța matricolă sau îl puteți regăsi în prezentul manual de instrucțiuni. Întâi de toate, trebuie verificat dacă consumătorul electric este fabricat pentru același tip de gaz care va fi utilizat și prin urmare corespunde cu marcajul de pe plăcuța privind tipul de gaz care va fi utilizat. Pentru transformarea cazanului pentru un alt tip de gaz, trebuie controlat dacă corespunde tipul de gaz marcat cu acela care este recomandat în acest manual.

Pentru transformarea cazanului pentru un alt tip de gaz, trebuie controlat dacă corespunde tipul de gaz marcat cu acela care este recomandat în acest manual. Presiunea se măsoară cu manometru de o necesară sensibilitate. Manometrul se conectează pe locul aferent, de aceea trebuie deșurubat șurubul cu închidere ermetică și conectat manometrul. După încheierea măsurării trebuie înșurubat șurubul înapoi și verificată etanșeitatea.

# MĂSURI DE SECURITATE DIN PUNCT DE VEDERE AL PROTECȚIEI ÎMPOTRIVA INCENDIILOR CONFORM CSN EN 061008 ȚL. 21:

- Deservirea aparatului trebuie să fie asigurată de către persoane mature
  - Aparatul poate fi utilizat fără pericol în condiții obișnuite conform EN 332000-1
  - Aparatul trebuie amplasat în așa fel încât să fie fixat pe un suport neinflamabil
- Se interzice amplasarea obiectelor inflamabile pe aparat, precum și în apropierea acestuia la distanțe mai mici decât cele recomandate (distanța minimă recomandată este de 10cm)
- Distanțele sigure față de obiectele inflamabile și informațiile despre gradul de combustibilitate a materialelor de construcție sunt indicate în tabel

## Tabel:

Gradul de combustibilitate a materialelor de construcție ( EN 730823 ) după substanțe și produse

A neinflamabil	granit, var, beton, cărămidă, gresie ceramică, tencuiala
B greu inflamabile	placă fibrolemnoasă, fibre minerale
C1 dificil inflamabil	emn, foioase, hârtie întărită, placaj
C2 mediu inflamabil	plăci aglomerate din aşchii de lemn, plăci din plută, cauciuc, pardoseala din PVC
C3 ușor inflamabil	plăci fibrolemnoase, polistiren, poliuretan, PVC

Aparatul trebuie instalat într-un mod sigur. În timpul instalării trebuie respectate prevederile de siguranță, proiectare și igienă în conformitate cu:

- EN 06 1008 securitatea de incendiu a dispozitivelor locale și surselor de căldură
- EN 33 2000 mediul înconjurător pentru aparate electrice (33 2000-4-42; 33 2000-4-482)

## ȚEAVA PENTRU GAZ:

## ȚEAVA PENTRU GAZ:

Aparatul poate fi alimentat cu gaz doar prin țevă din oțel zincat, cupru sau țevă flexibilă din oțel și în conformitate cu normele în vigoare. Fiecare aparat trebuie dotat cu un robinet pentru conducta de gaz, ca să fie posibilă oprirea imediată a alimentării cu gaz. După instalarea dispozitivului trebuie verificate eventualele scurgeri de gaze. Să nu verificați scurgerile cu o sursă deschisă de foc, folosiți materiale ce nu generează coroziune. Puteți folosi, de exemplu, o soluție de apă cu săpun. Aparatele au fost verificate de către producător, detalii despre tipul gazului, presiune și tipul aparatului le veți găsi pe plăcuța cu caracteristici.

### Racordare la gaz lichid:

Presiunea pentru racordarea la sursă de gaz lichid trebuie să fie de 28 sau 30 mbar pentru propan butan și de 37 mbar pentru propan. Trebuie verificată plăcuța matricolă, măsurată presiunea și controlați parametrii duzei instalate cu parametrii duzei solicitați conform cerințelor fabricantului. Dacă presiunea este mai mică decât 25 mbar sau mai mare decât 37 mbar, CONSUMĂTORUL NU POATE FI RACORDAT

### Racordare la gaz metan:

Presiunea pentru racordarea la sursă de metan trebuie să fie de 18 sau 20 mbar. Trebuie controlată plăcuța matricolă măsurată presiune și controlați parametrii duzei instalate cu parametrii solicitați ai duzei conform cerințelor fabricantului/ Dacă presiunea este mai mică decât 15 mbar sau mai mare decât 22,5 mbar CONSUMĂTORUL NU POATE FI RACORDAT

## INSTRUCȚIUNI PENTRU ADAPTAREA LA ALT TIP DE GAZ:

### Înlocuirea duzei arzătorului principal

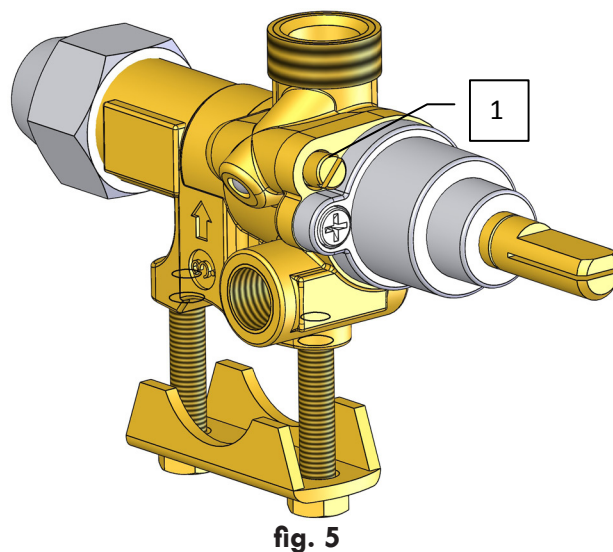
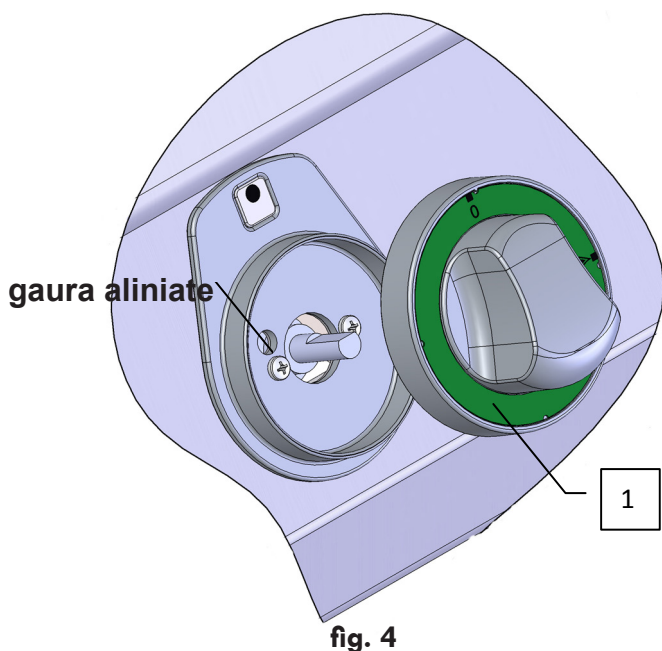
Pentru a înlocui duza arzătorului principal, trebuie procedat în felul următor:

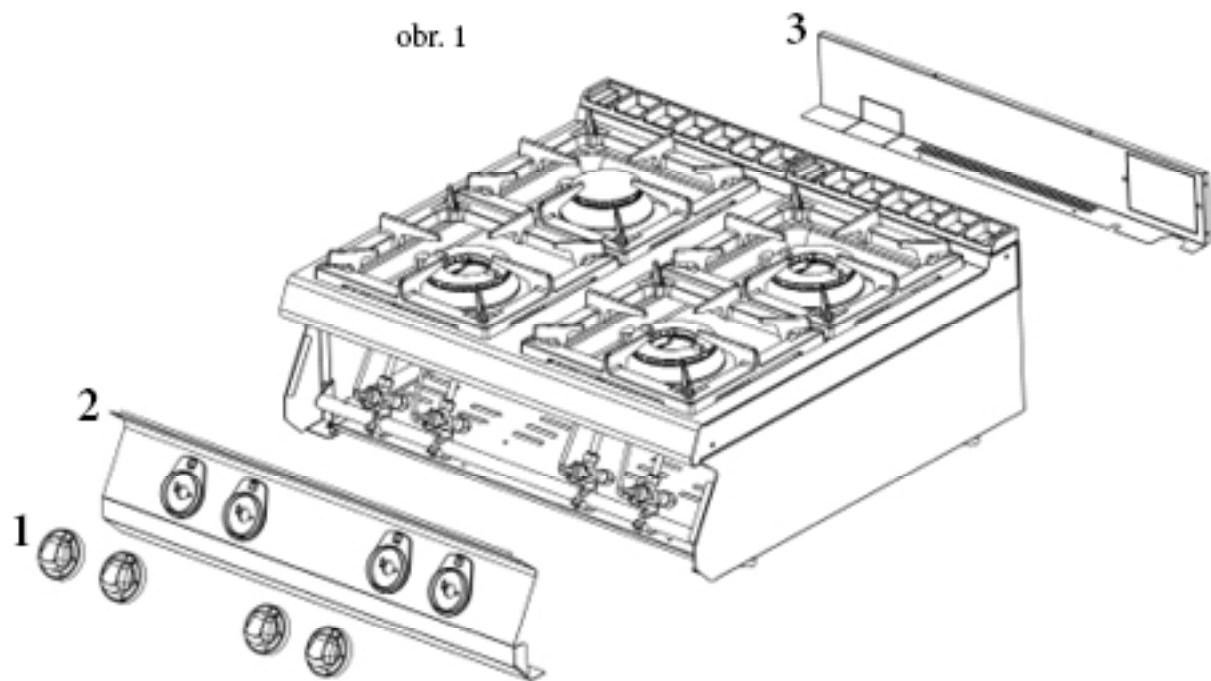
- 1) înlăturați butoanele de comandă de pe panoul frontal (fig.1, nota.1)
- 2) demontați panoul frontal (fig.1, nota.2)
- 3) pentru a facilita accesul, recomandăm și demontarea panoului posterior (dacă este posibil) (fig.1, nota.3)
- 4) conform imaginii 2 deșurubăm duza de pe arzătorul principal și o vom înlocui cu duze conform tabelului „DATELE TEHNICE ARZĂTOARE“
- 5) Reglăm apoi aducția de aer pentru tipul de gaz conform tabelului „DATELE TEHNICE ARZĂTOARE“.

Reglăm arzătorul pilot astfel că vom degaja cu cheia piulița de siguranță, vom deșuruba apoi duza arzătorului pilot (fig.3, nota.1) cu resortul (fig.3, nota.2,3) și vom înlocui cu duza adecvată tipului de gaz, conform tabelului. Strângem cu cheia capacul duzei și setăm regimul ”econom”, v. textul de mai jos.

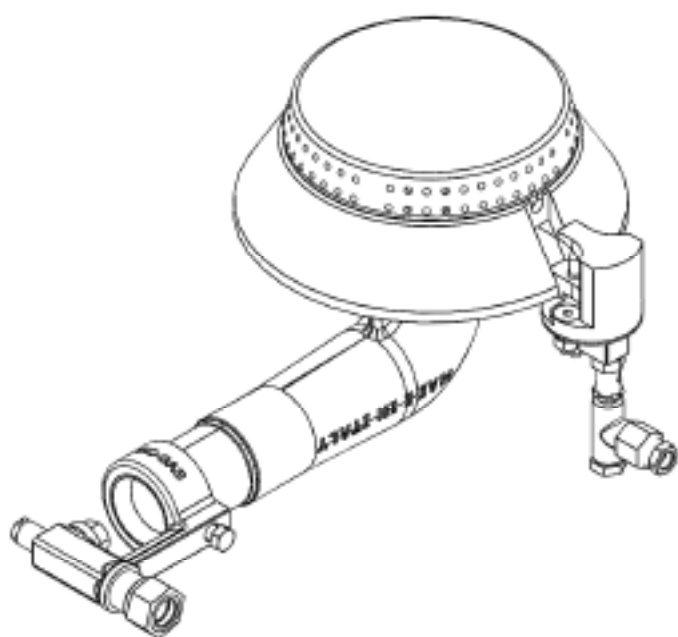
### Important:

După readaptarea aparatului modificați datele de pe plăcuța aparatului

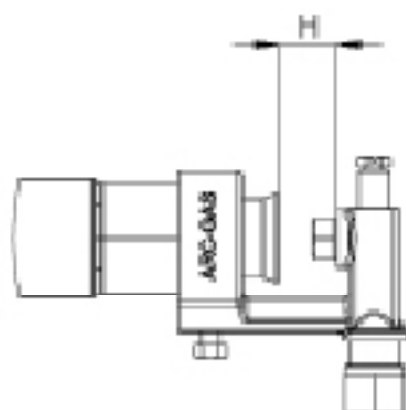




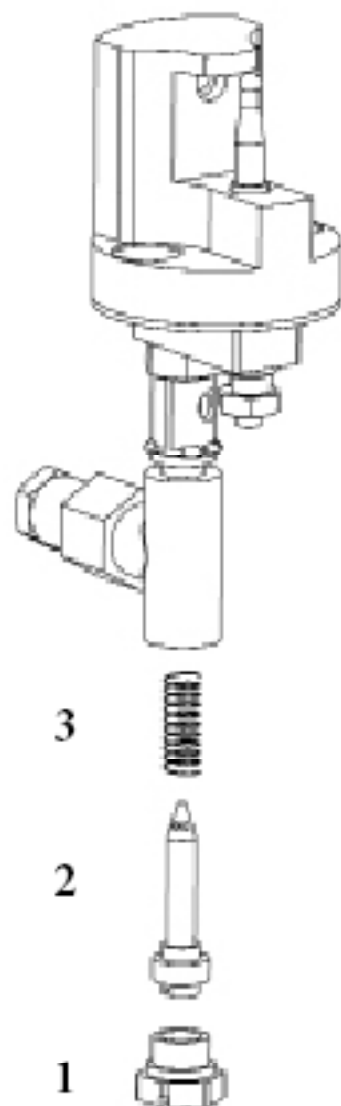
obr. 2



obr. 4



obr. 3





Aparatele noastre sunt certificate și reglementate pentru gazele naturale (vezi plăcuța de identificare). Transformarea sau adaptarea la un alt tip de gaz trebuie efectuată numai de un tehnician autorizat. Duze pentru diferite tipuri de gaz într-o pungă ambalate cu aragaz și sunt indicate în sutimi de mm.

Și ajustarea duza a cuptorului cu gaz arzător (vezi figura de mai jos.):

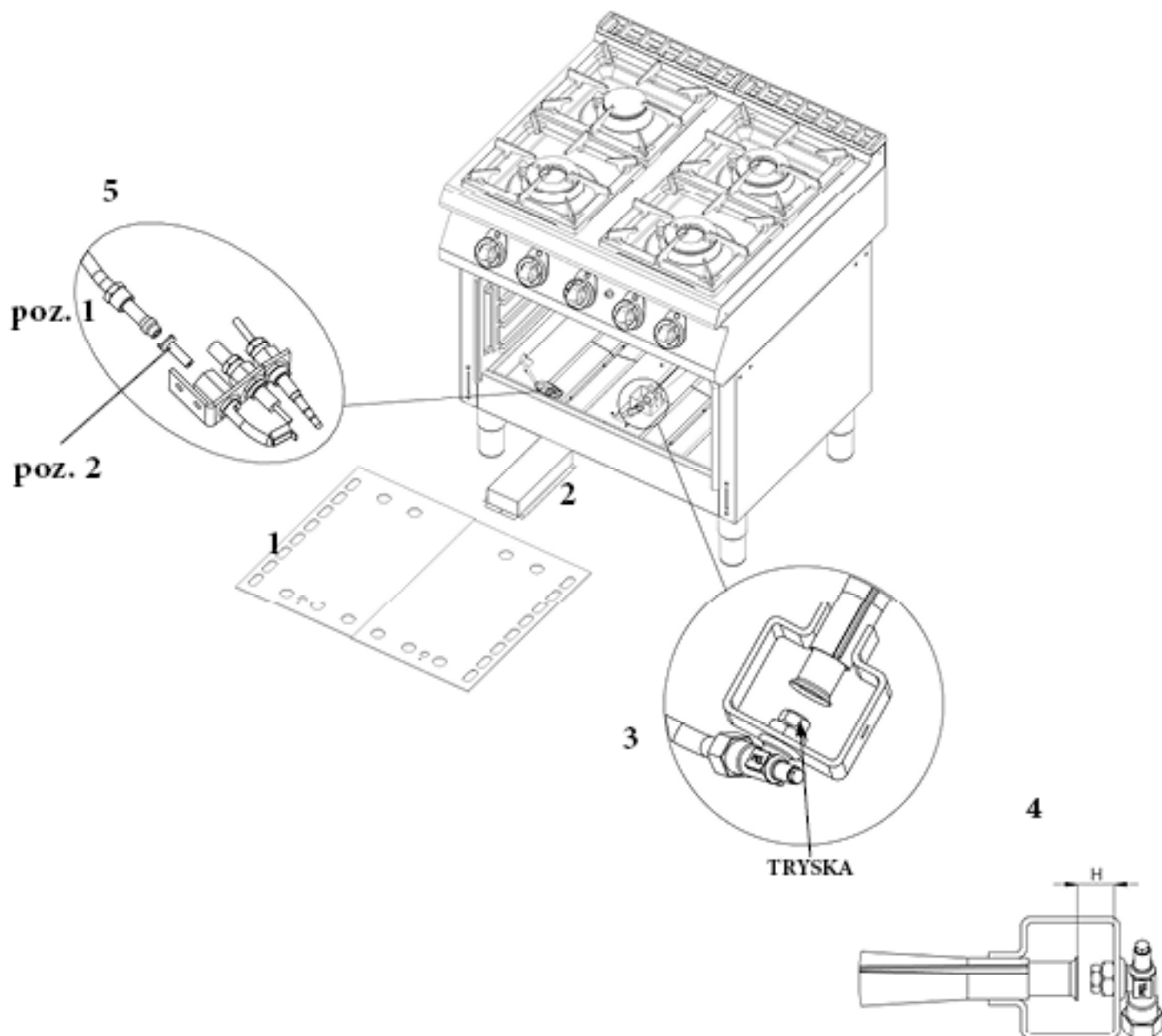
Când înlocuiți duza arzătorului cuptorului, procedați după cum urmează:

- 1) Deschideți ușa cuptorului și scoateți capacul cuptorului (podea falsă a camerei).
- 2) Scoateți capacul alimentatorului de arzător (Figura 2)
- 3) In figura 3, se deșurubează duza din arzătorul principal și înlocuiți duzele conform tabelului „DATE TEHNICE ALE ARZATORILOR“
- 4) Setați sursa de aer pentru gazul relevant (fig.4) conform tabelului „DATE TEHNICE DE ARDERE“

#### SCHIMBAREA Jeturile și ajustând PILOT ARZĂTOR CUPTOR GAZ

Când înlocuiți duza arzătorului cuptorului, procedați după cum urmează:

- 1) Deșurubați piulița conform figurii 5, elementul 1.
- 2) Scoateți conducta de cupru din arzătorul pilotului.
- 3) Conform Fig. 2 deșurubați duza de la arzătorul principal și înlocuiți-o cu duzele conform tabelului „DATE TEHNICE ALE ARZATORILOR“.
- 4) Înlocuiți tubul de cupru din tubul pilot și strângeți-l cu piulița așa cum se arată în Fig. în primul rând



# GHID DE UTILIZARE

## Atenție!

Înainte de a utiliza dispozitivul, acesta trebuie bine spălat cu un material umezit în apă cu soluție de săpun. Apoi uscați bine. Nu lăsați dispozitivul în funcțiune fără supraveghere.

**Atenție!** În cazul în care arzătorul va fumega după prima punere în funcțiune, este necesar a fi lăsat să funcționeze o oră în gol, până nu dispăre mirosul.

## Aprinderea aragazului principal și reglarea temperaturii

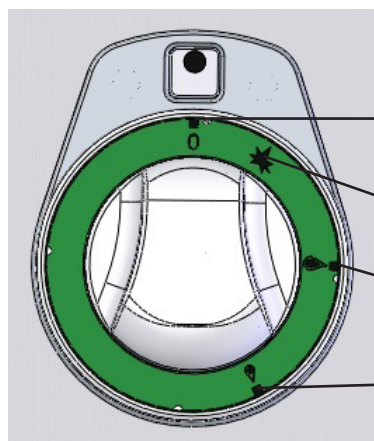
Rotiți mânerul de reglare a robinetului (A) până în poziția “aprinderea aragazului principal”, folosind meciuri sau brichete de pe arzător, până când se aprinde aragazul principal. După aprindere mai țineți apăsat butonul (A) încă câteva secunde, până când se încălzește termosiguranța, apoi eliberați butonul. Dacă flacăra se va stinge, repetați întregul procedeu.

### - capacitatea redusă economă

Prin rotirea mânerului (A) în poziția “econom” reglați arderea arzătorului în regim econom (capacitate redusă)

### - oprirea întregului dispozitiv

Este suficient de rotit mânerul (A) până în poziția “0”



de pe

Aprinderea arzătorului pilot

putere maximă

Dispută (de ieșire redusă)



## Controlul cuptorului staționar

Cu comutatorul cuptorului staționar, alegem să coacem corpurile superioare și inferioare (poziția 1) sau chiar mai jos (poziția 3) sau superioară (poziția 2). Acest lucru este indicat de LED-urile verzi. Utilizați butonul de comandă al cuptorului staționar pentru a seta temperatura dorită. Încălzirea radiatoarelor este indicată de lumini albe. După ce au ieșit, cuptorul este încălzit până la temperatura dorită. Opriți cuptorul prin rotirea ambelor butoane în poziția „0”.

## Controlul cuptorului cu gaz

Arderea și reglarea arzătorului cuptorului:

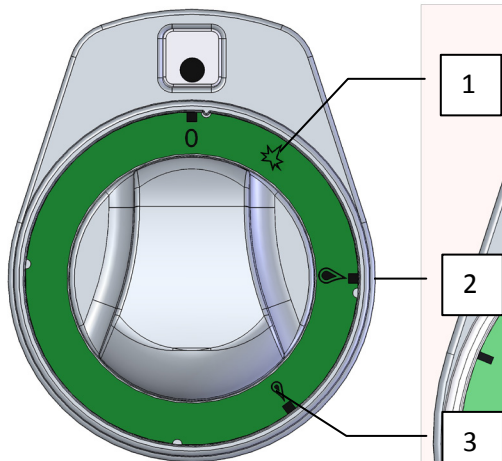
Când deschideți cuptorul, deschideți ușa cuptorului, rotiți butonul de aprindere, țineți apăsat butonul, apoi apăsați butonul de aprindere piezozasă în mod repetat până când gazul se aprinde. Prin deschiderea din partea inferioară a cuptorului este posibilă verificarea flăcării, eliberați butonul după aproximativ 10 secunde. Dacă flacăra pilot se stinge, trebuie să repetați întreaga operațiune. Când butonul este rotit în poziția de aprindere a flăcării, arzătorul principal se stinge și flacăra pilot rămâne în foc. Pentru a activa arzătorul principal, rotiți butonul spre stânga și setați temperatura dorită. Dacă vrem să oprim complet cuptorul, vom întoarce roata de comandă în poziția „0”.

## Controlul cuptorului cu aer cald

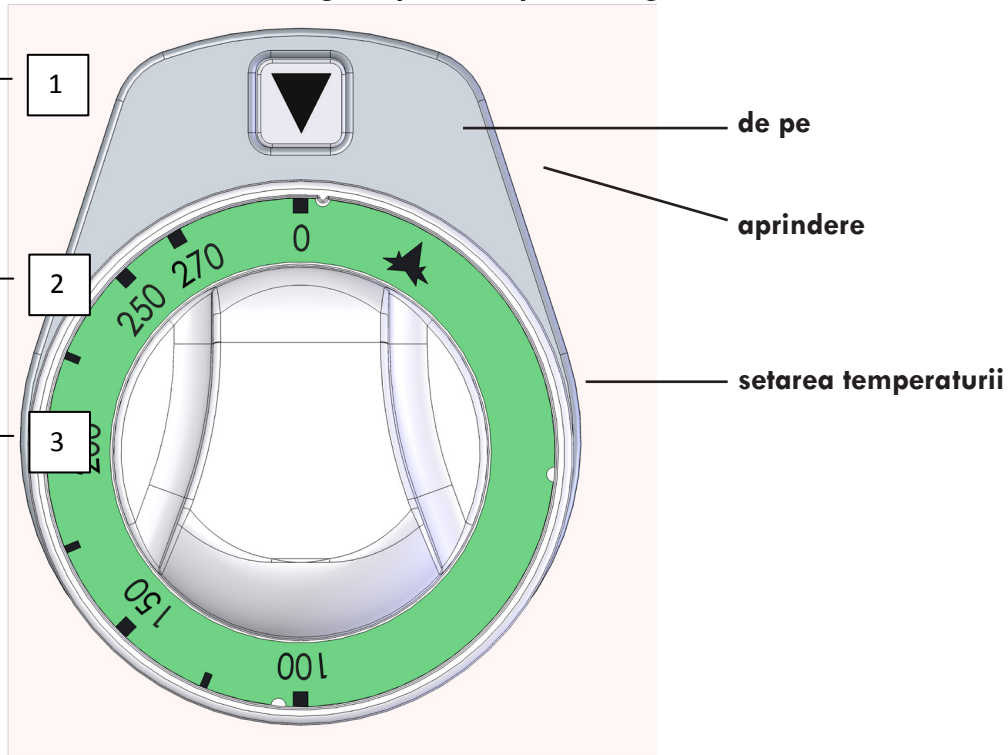
Rotiți butonul de comandă în sensul acelor de ceasornic pentru a porni ventilatorul. Acest lucru este indicat de o lumină verde. Continuați spre dreapta, setați temperatura dorită. Elementul de încălzire este semnalat de o lumină portocalie. După ce se stinge, cuptorul este încălzit până la temperatura dorită. Opriți cuptorul rotind butonul la stânga în poziția „0”.

# CONTROALE

butonul de comandă a tortei

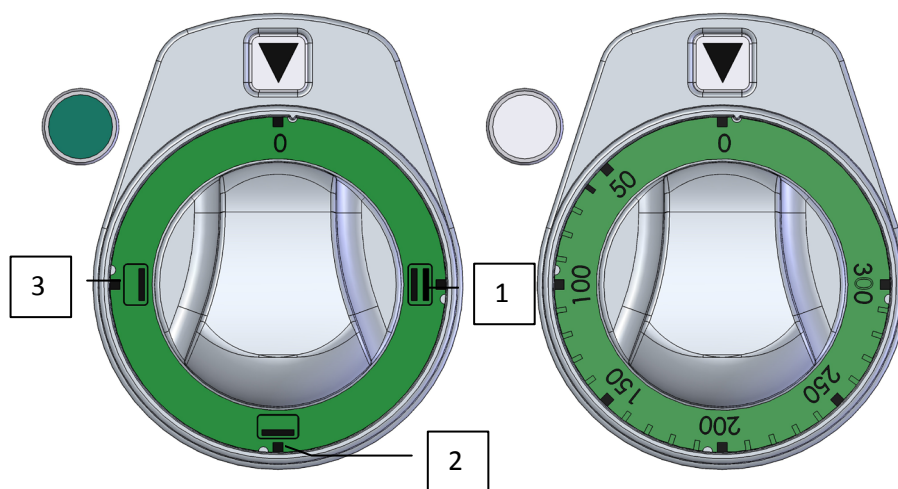


Buton de reglare pentru cuptorul cu gaz

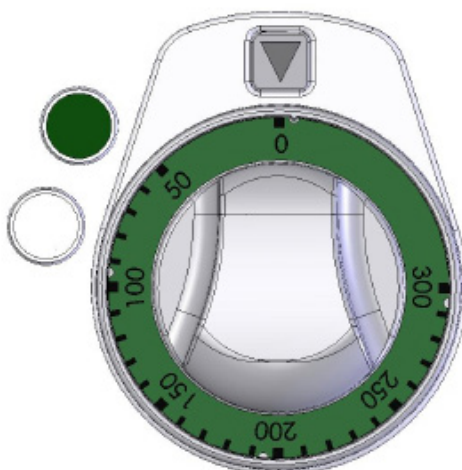


cuptorul staționar al cuptorului

butonul de control al temperaturii pentru cuptorul staționar



Buton de comandă pentru cuptorul cu aer cald



## CURĂȚARE ȘI ÎNTREȚINERE

Este recomandat de a inspecta aparatul, cel puțin o dată pe an, de către un servis specializat. Orice intervenții asupra aparatului pot fi operate doar de către o persoană calificată, autorizată în acest sens.

### **ATENȚIE!!!**

Este interzisă curățarea aparatului sub jetul de apă sau apă sub presiune. Curățați aparatul zilnic. Întreținerea zilnică prelungește eficiența și funcționalitatea aparatului. Înainte de a curăța aparatul, asigurați-vă că acesta este deconectat de la rețeaua electrică. Întotdeauna să opriți alimentarea principală a aparatului. Părțile de inox curățați-le cu o cârpă umedă cu soluție de săpun și fără particule tari, iar uscați-le prin ștergere. Nu folosiți soluții de curățat abrazive sau corozive. Înlăturați toate resturile de mâncare de pe suprafața de lucru, posibil și cu ajutorul unui șpaclu.

Suprafața interioară a tigăii curățăm cu șterăptor din plastic sau cu burete și detergenți curenți (a nu se utiliza obiecte metalice). Stratul subțire de culoare mai închisă de pe fundul tigăii nu îndepărtați fără rost, căci formează un strat de protecție a suprafeței. După spălarea, fundul tigăii din nou îngrijiiți cu ulei de masă. După curățarea cuvei, repuneți toate în poziția inițială. Capacul lăsați deschis, încât aerul să poată circula în vasul

-Dacă aparatul nu va fi folosit pentru o perioadă lungă de timp:

-Neapărat închideți admisiunea apei și a gazelor

-Dacă aparatul nu va fi folosit pentru o perioadă lungă de timp, curățați cuva și conservați baza cu ulei

Procedeu în caz de disfuncție a aparatului

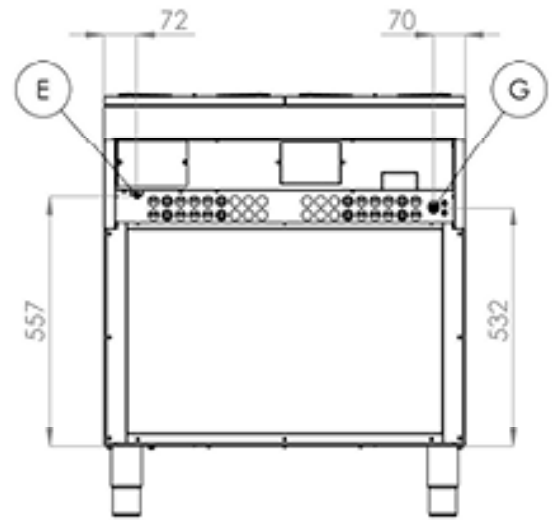
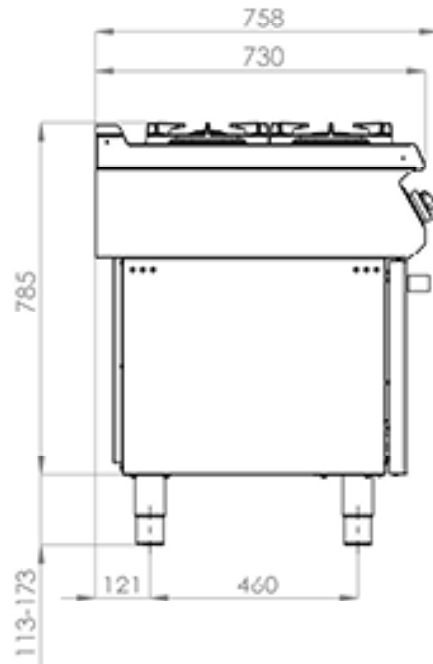
Opriți alimentarea cu electricitate și apelați servisul vânzătorului.

### **ATENȚIONARE**

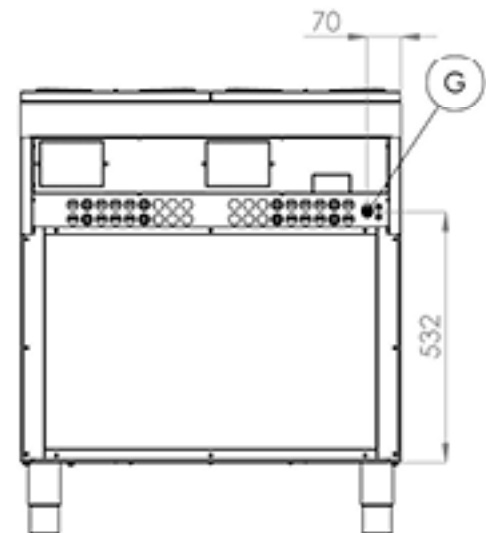
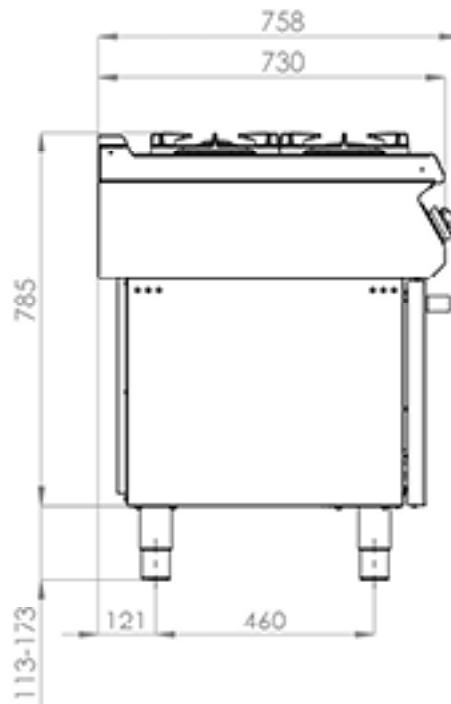
Garanția nu acoperă piesele consumabile care se uzează prin utilizare (garniturile din cauciuc, becurile, părțile din plastic și sticle, etc.). De asemeni garanția nu se aplică aparatelor a căror instalare a fost efectuată contrar normelor (de către o persoană autorizată conform normelor în vigoare) și nici în cazul manipulării defectuoase (intervenții în interiorul aparatului etc.) sau dacă a fost deservit de către personal neinstruit și contrar ghidului de utilizare. Garanția nu se aplica defectelor datorate efectelor naturii sau forței majore.

## DIMENSIONALĂ SCHIȚĂ

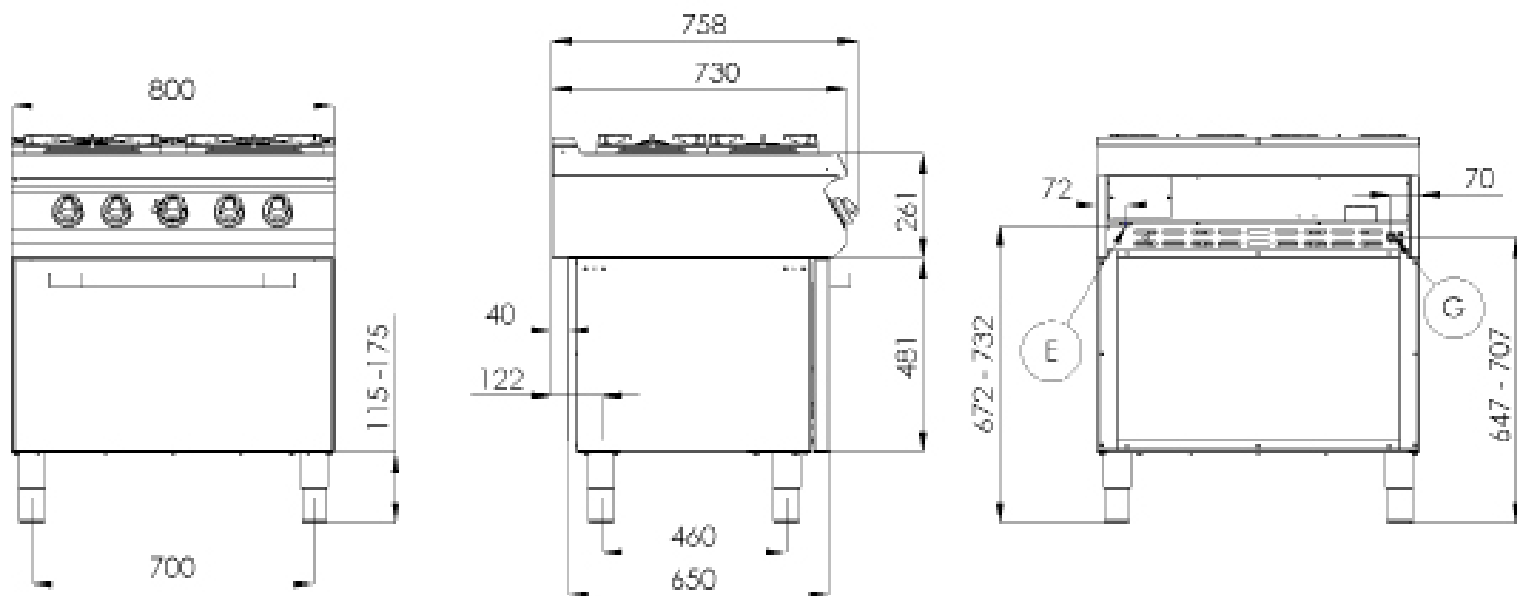
### SPT-780-21 GE



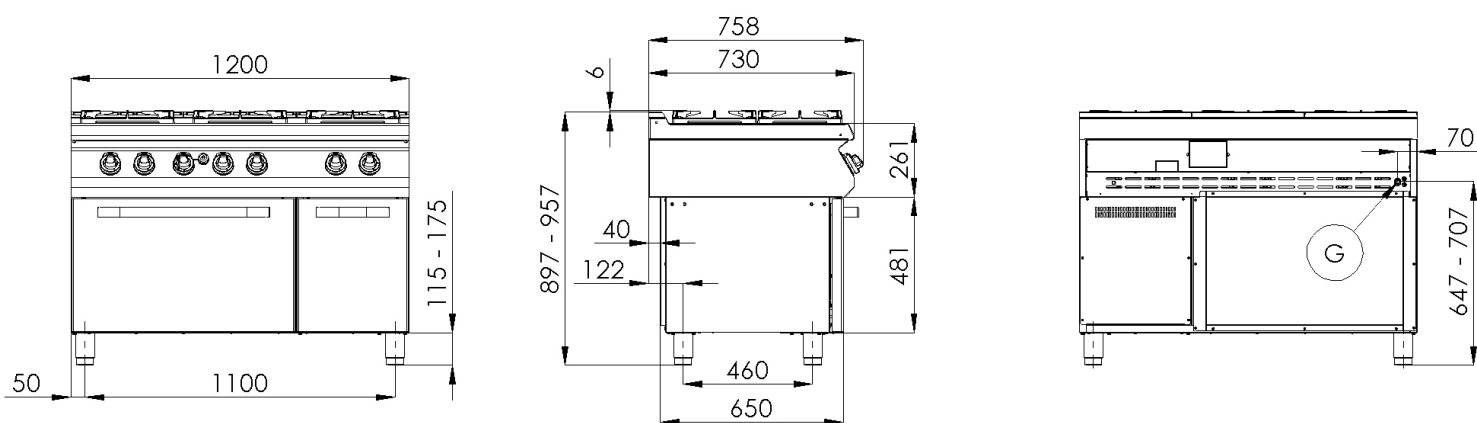
### SPT-780-21 G



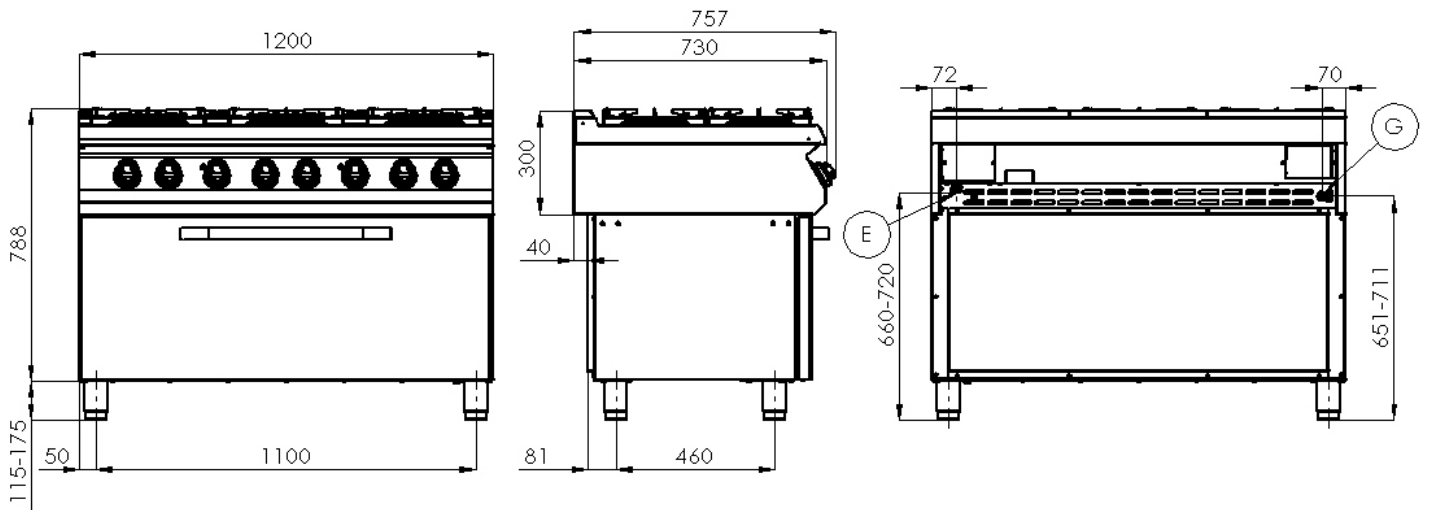
## SPT-780-11 GE



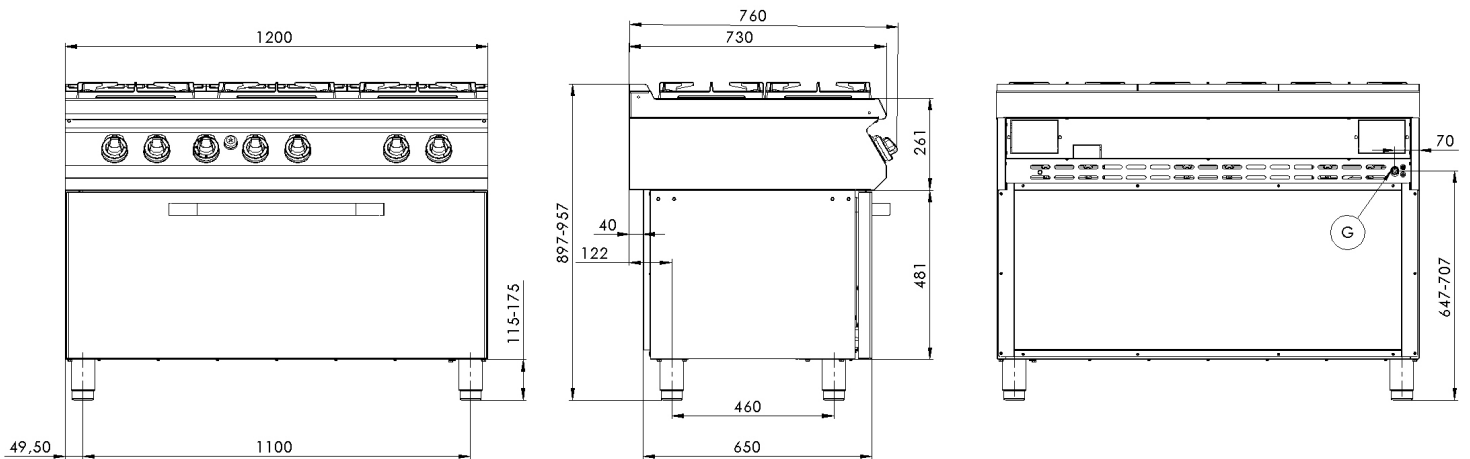
## SPT-7120-21 G



## SPT-7120-31 GE

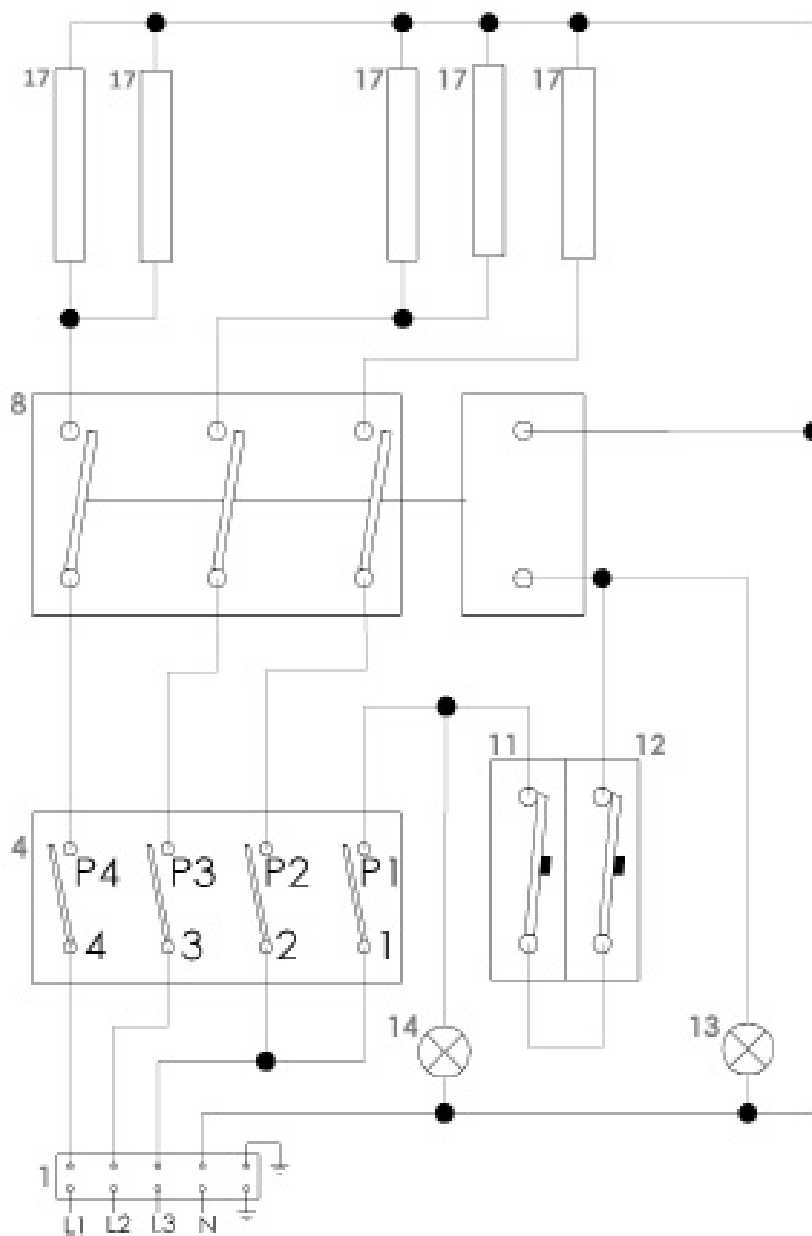


## SPT-7120-31 G



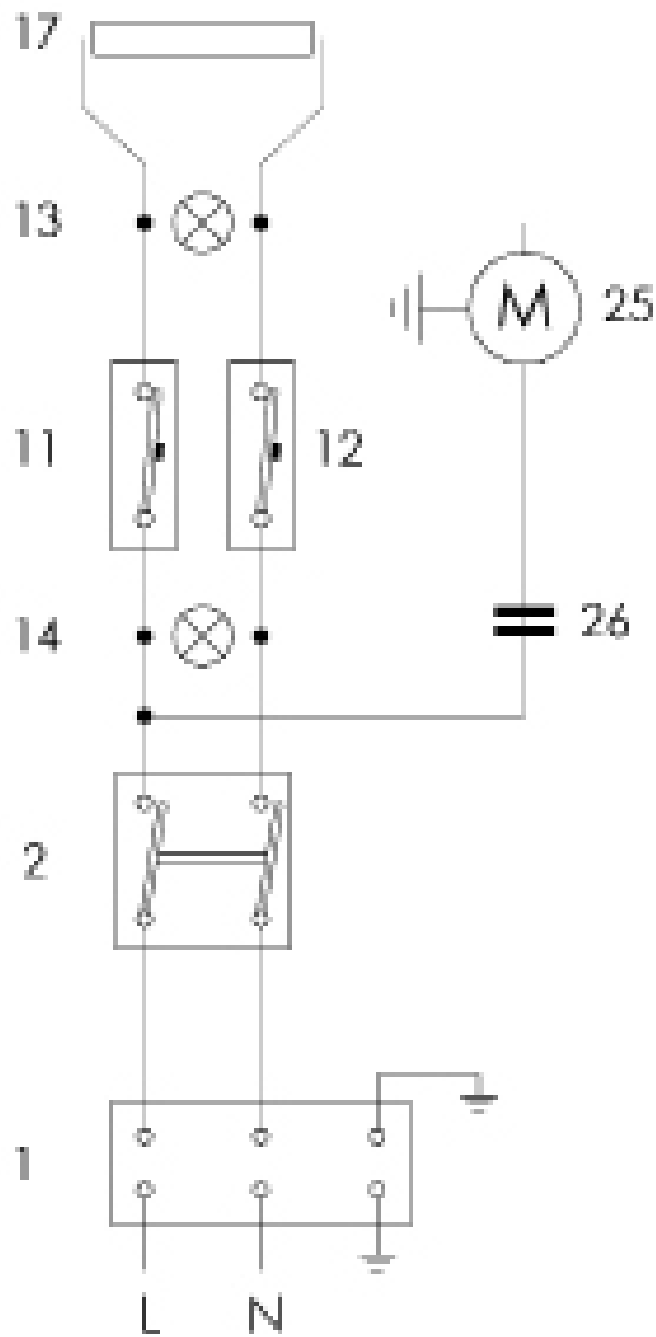
circuit diagramă

## UN CUPTOR ELECTRIC STAȚIONAR

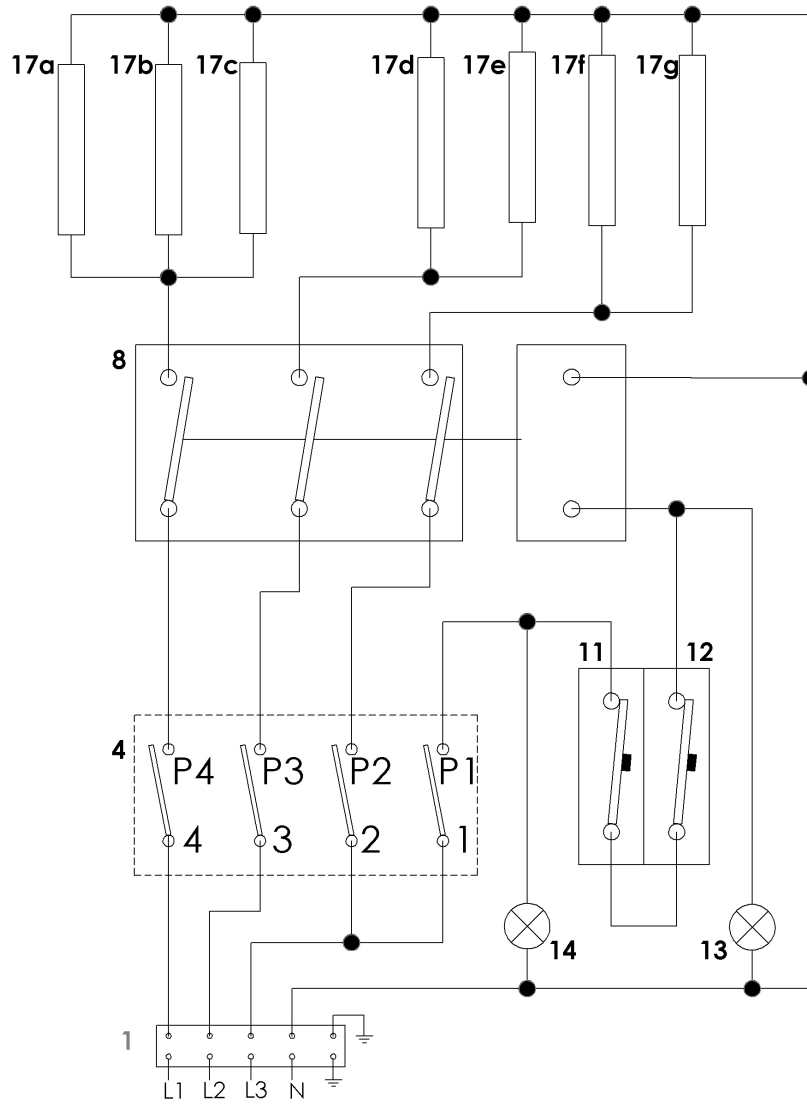




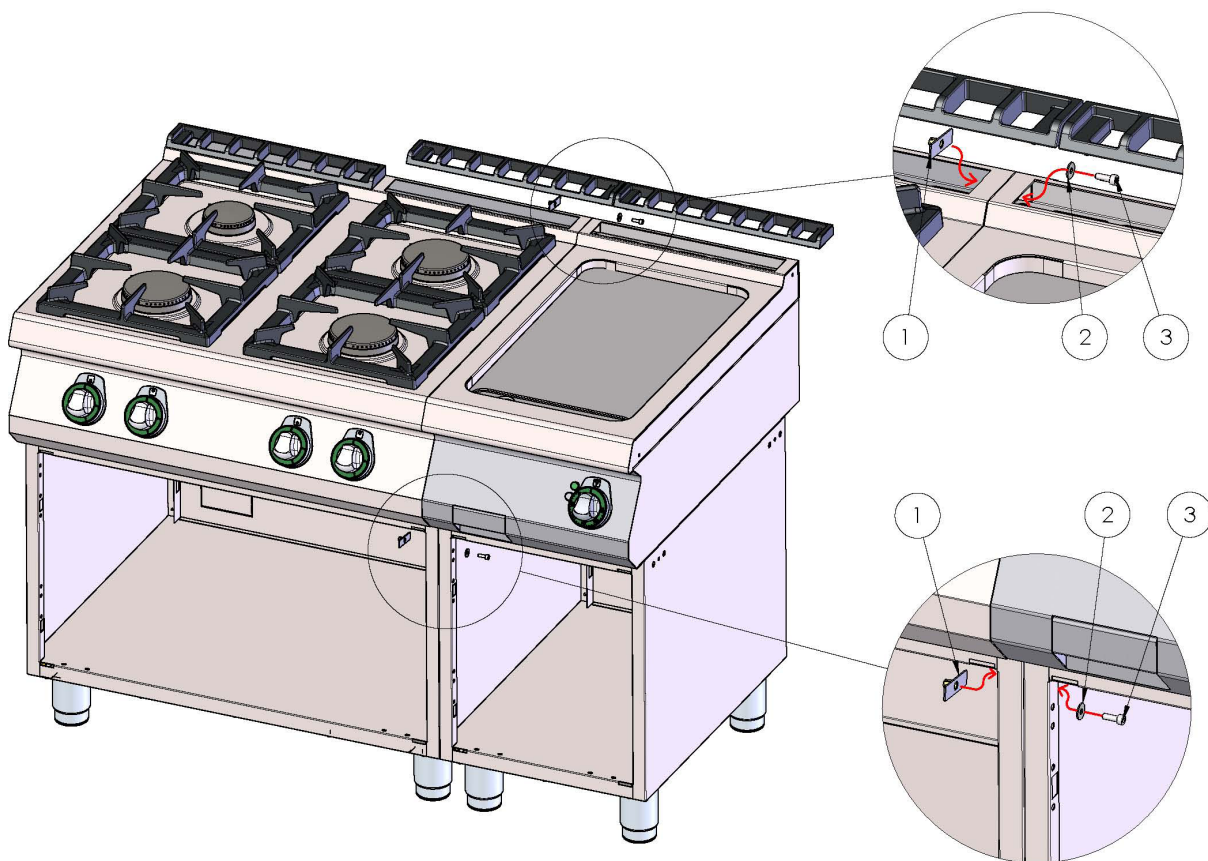
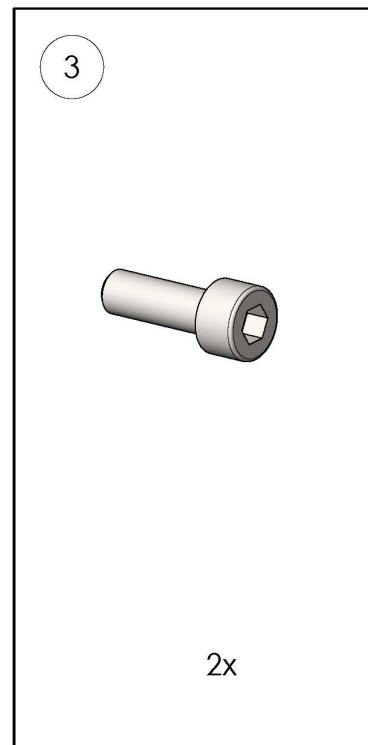
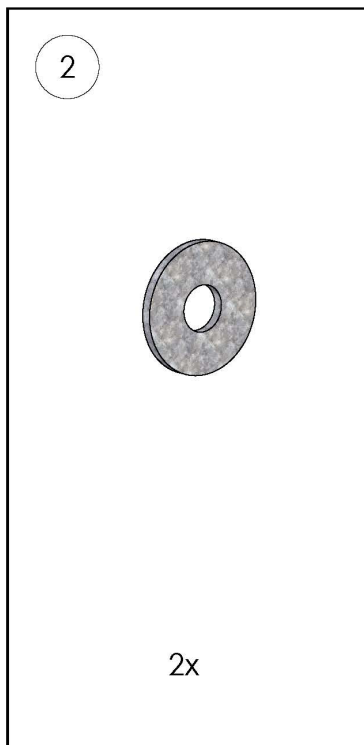
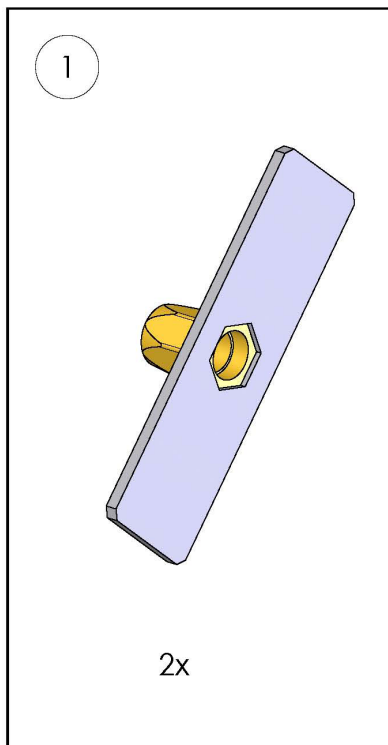
# CUPTOR ELECTRIC CU AER CALD



# SPT-7120-31 GE



# module de conectare



## ДЕКЛАРАЦИЯ О СООТВЕТСТВИИ СТАНДАРТАМ

Изготовитель заявляет, что приборы удовлетворяют требованиям директивы европейского парламента и совета № 2009/142/ЕС (Постановления чешского правительства № 22/2003), законов № 22/1997 и № 258/2000 «Об охране общественного здоровья», подзаконного акта № 38/2001 и соответствующих постановлений правительства. Установка прибора должна осуществляться в соответствии с действующими нормами.

Внимание, изготовитель не несет никакой ответственности в случае прямых или косвенных повреждений, возникших по причине неправильной установки, изменения прибора или неправильного вмешательства в него, недостаточного техобслуживания, неправильного обращения с прибором или же повреждений, возникших по другим причинам, указанным в документе «Условия продажи». Настоящий прибор предназначен исключительно для профессионального применения. Обслуживать прибор разрешается только квалифицированным лицам. Части прибора, которые были отрегулированы изготовителем и зафиксированы им или его уполномоченным работником, пользователю регулировать запрещается.

### Технические данные:

Табличка с техническими данными находится на видном месте на задней стенке прибора. Перед установкой изучите электрическую схему подключения, прилагаемую к руководству.

Тип изделия	Мощность (kW)	Напряжение (V / Hz)	Размеры (cm)
SPL-704 E	2 x 3 kW	400/3N/50	40x73x30 v
SPL-740 E	2 x 3 kW	400/3N/50	40x73x90 v
SPL-708 E	4 x 3 kW	400/3N/50	80x73x30 v
SPL-780 E	4 x 3 kW	400/3N/50	80x73x90 v

## ПРОВЕРКА УПАКОВКИ И ПРИБОРА

Завод-изготовитель отгружает прибор надлежащим образом упакованным. На упаковке указаны соответствующие символы и обозначения. В упаковке находится соответствующее руководство по эксплуатации. Если на упаковке видны следы неправильного обращения, признаки повреждения или насильного вскрытия во время перевозки, Вы должны немедленно предъявить претензию грузоперевозчику, составив с ним акт о повреждении. Позднее претензии не принимаются.

### Общие указания

Данное руководство следует внимательно прочитать и изучить, поскольку в нем приводятся важные

предупреждения, касающиеся безопасности установки прибора и его эксплуатации.

- Данное руководство предназначено только для настоящего изделия или продуктовой линейки.
- Данное руководство следует сохранять для использования в будущем.
- Детям запрещается манипулировать с прибором.
- Прибор разрешается обслуживать только обученному персоналу.
- Мармит разрешается использовать только для поддержания необходимой температуры раздаваемой пищи.
- Прибор ни в коем случае нельзя включать без надзора.
- Рекомендуется 2 раза в год проводить специализированный сервисный осмотр.
- В случае ремонта или замены части (детали) необходимо использовать оригинальные запчасти от изготовителя прибора.
- Прибор ни в коем случае нельзя мыть струей воды или напорным аппаратом.
- В случае неисправности или неправильной работы прибора следует немедленно отсоединить все подводы (вода, электричество, газ) и пригласить авторизованный сервис.
- Прибор разрешается использовать только по его назначению. Использование прибора в других целях может привести к возникновению опасности или нанесению травмы.
- Должно быть обеспечено безоговорочное строгое соблюдение правил пожарной безопасности.

Изготовитель не несет никакой ответственности в случае возникновения неисправностей, вызванных неправильной установкой, несоблюдением вышеуказанных указаний, использованием прибора не по назначению и т.п.

## **РАЗМЕЩЕНИЕ**

**Для правильной работы и размещения прибора необходимо соблюдать директивы TPG G 704 01, EN 127040, EN 127010.**

**Снимите упаковку и проверьте наличие повреждений, возникших во время перевозки. Поместите прибор на горизонтальную поверхность (макс. неровность не более 2°). Небольшую неровность можно компенсировать с помощью регулируемых ножек.**

**Если месторасположение прибора предполагает его контакт со стенками мебели, то данная мебель должна быть устойчивой к температуре до 60°C. Установку и пуско-наладочные работы должно выполнять квалифицированное лицо, имеющее на такие работы соответствующее разрешение (согласно действующим нормам).**

**Мармит можно установить как отдельный прибор или в серии с другими приборами нашего производства. Необходимо соблюдать минимальное расстояние 10 см от горючих материалов. В таком случае следует провести соответствующие изменения, чтобы была обеспечена тепловая изоляция горючих частей.**

**Прибор разрешается устанавливать только на негорючей поверхности или возле негорючей стены.**

## МЕРЫ БЕЗОПАСНОСТИ С ТОЧКИ ЗРЕНИЯ ПОЖАРНОЙ ОХРАНЫ СОГЛАСНО EN 061008, СТ.12

- обслуживать прибор разрешается только взрослым
- прибор разрешается использовать только в нормальной среде по:  
EN 33 2000-4-482  
EN 33 2000-4-42

- прибор должен быть установлен так, чтоб он прочно стоял или висел на негорючем основании
- на прибор и на расстоянии, меньшем безопасной удаленности от него, запрещается размещать предметы из горючих материалов (минимальное расстояние между прибором и горючим материалом составляет 10 см).
- информация о степени воспламеняемости некоторых строительных материалов приводится на следующей странице

Таблица степени воспламеняемости строительного материала, включенного с ст. воспламеняемости (730823) материалов и изделий

<b>А - негорючие</b>	гранит, песчаник, бетоны, кирпич, керамическая плитка, штукатурка
<b>В - умеренно воспламеняемые</b>	акумин, гераклит, лигнос, итавер
<b>С1 - трудно горючие</b>	древесина лиственных пород, клееная фанера, сиркоклит, гетинакс, умакарт
<b>С2 - умеренно горючие</b>	ДСП, солодур, пробковые доски, резина, покрытия для полов
<b>С3 - легко горючие</b>	ДВП, полистерен, полиуретан, ПВХ


**Прибор должен быть установлен безопасным способом. При установке следует соблюдать**

**соответствующие предписания по проектированию, безопасности и гигиене согласно:**

- EN 06 1008 пожарная безопасность локальных приборов и источников тепла
- EN 33 2000 среда для электрического оборудования



## **ВАЖНО:**

 ИЗГОТОВИТЕЛЬ НЕ ДАЕТ НИКАКИХ ГАРАНТИЙ НА НЕИСПРАВНОСТИ, ВОЗНИКШИЕ В РЕЗУЛЬТАТЕ НЕПРАВИЛЬНОЙ ЭКСПЛУАТАЦИИ, НЕСОБЛЮДЕНИЯ ИНСТРУКЦИЙ В ПРИЛАГАЕМОМ РУКОВОДСТВЕ ПО ЭКСПЛУАТАЦИИ И НЕПРАВИЛЬНОГО ОБРАЩЕНИЯ С ПРИБОРАМИ.

УСТАНОВКУ, НАЛАДКУ И РЕМОНТ ПРИБОРОВ ДЛЯ ПРЕДПРИЯТИЙ ОБЩЕПИТА, ТАК ЖЕ КАК И ДЕМОНТАЖ ДАННЫХ ПРИБОРОВ (ИЗ-ЗА ОПАСНОСТИ ПОВРЕЖДЕНИЯ ПОДВОДА ГАЗА) РАЗРЕШАЕТСЯ ВЫПОЛНЯТЬ ТОЛЬКО НА ОСНОВАНИИ ДОГОВОРА О ТЕХОБСЛУЖИВАНИИ (ДАННЫЙ ДОГОВОР МОЖНО ЗАКЛЮЧИТЬ С АВТОРИЗОВАННЫМ ПРОДАВЦОМ), ПРИЧЕМ ДОЛЖНЫ СОБЛЮДАТЬСЯ ТЕХНИЧЕСКИЕ ПРЕДПИСАНИЯ И СТАНДАРТЫ, КАСАЮЩИЕСЯ УСТАНОВКИ, ЭЛЕКТРИЧЕСКОГО ПОДСОЕДИНЕНИЯ, ПОДКЛЮЧЕНИЯ ГАЗА И БЕЗОПАСНОСТИ ТРУДА.

ТЕХНИЧЕСКИЕ ИНСТРУКЦИИ ПО УСТАНОВКЕ И НАЛАДКЕ ПРЕДНАЗНАЧАЮТСЯ ТОЛЬКО СПЕЦИАЛИЗИРОВАННЫМ ТЕХНИКАМ.

НИЖЕПРИВЕДЕННЫЕ ИНСТРУКЦИИ АДРЕСОВАНЫ ТЕХНИКАМ, ИМЕЮЩИМ КВАЛИФИКАЦИЮ ДЛЯ УСТАНОВКИ ПРИБОРА, ЧТОБЫ ОНИ МОГЛИ ВЫПОЛНИТЬ ВСЕ ОПЕРАЦИИ КАК МОЖНО БОЛЕЕ КОРРЕКТНО И В СООТВЕТСТВИИ С ДЕЙСТВУЮЩИМИ НОРМАМИ.

ЛЮБЫЕ РАБОТЫ, СВЯЗАННЫЕ С НАЛАДКОЙ И Т.П., РАЗРЕШАЕТСЯ ВЫПОЛНЯТЬ ТОЛЬКО КОГДА ПРИБОР ОТКЛЮЧЕН ОТ СЕТИ. ЕСЛИ ПРИ ВЫПОЛНЕНИИ РАБОТ НЕОБХОДИМО, ЧТОБЫ ПРИБОР НАХОДИЛСЯ ПОД НАПРЯЖЕНИЕМ, ТО СЛЕДУЕТ БЫТЬ ПРЕДЕЛЬНО ОСТОРОЖНЫМИ.

- Первое включение оборудования необходимо производить в хорошо проветриваемом помещении по причине «выжигания» конфорок, которое длится около 30 мин. По истечении как минимум 30 мин. оборудование готово к работе.

Никогда не оставляйте работающее устройство без надзора! Поверните управляющее устройство (А) и настройте на требуемую вами мощность. Контрольная лампочка (В) светится. Контрольная лампочка (В) светится, если устройство подключено к эл. сети. Устройство выключится, если вы повернете элемент управления (А) в положение «0».



### Техобслуживание

«Можно также чистить пространство под конфорками. Возле конфорок имеется пространство, позволяющее сметать нечистоты, а после охлаждения конфорки берутся и кладутся на верхнюю панель таким образом, чтобы был доступ к ванне, в которой эти конфорки размещены. Нечистоты выметаются через отверстие, выходящее в ящикек. Этот ящик потом выдвигается, нечистоты устраняются и ящик возвращается обратно. Ящик выдвигается из передней стороны оборудования (с торца)».

## **ТЕХОБСЛУЖИВАНИЕ И ГАРАНТИЙНЫЕ УСЛОВИЯ**



ПРИ ДЛИТЕЛЬНОЙ ЭКСПЛУАТАЦИИ ПРИБОРА ДЛЯ ОБЕСПЕЧЕНИЯ ЕГО БЕЗОПАСНОЙ РАБОТЫ ТРЕБУЕТСЯ РЕГУЛЯРНОЕ ТЕХОБСЛУЖИВАНИЕ, ПОЭТОМУ РЕКОМЕНДУЕМ ЗАКЛЮЧИТЬ ДОГОВОР НА СЕРВИСНОЕ ОБСЛУЖИВАНИЕ. ТЕХОБСЛУЖИВАНИЕ РАЗРЕШАЕТСЯ ПРОВОДИТЬ ТОЛЬКО УПОЛНОМОЧЕННЫМ СЕРВИСНЫМ ТЕХНИКАМ, СОБЛЮДАЮЩИМ ДЕЙСТВУЮЩИЕ СТАНДАРТЫ И ПРЕДПИСАНИЯ, А ТАКЖЕ ИНСТРУКЦИИ, ПРИВЕДЕННЫЕ В РУКОВОДСТВЕ. ОПТИМАЛЬНАЯ ПЕРИОДИЧНОСТЬ ПРОФОСМОТРОВ СОСТАВЛЯЕТ 1 РАЗ В 6 МЕСЯЦЕВ, ПРИ ОЧЕНЬ ВЫСОКИХ НАГРУЗКАХ КОНТРОЛЬ РЕКОМЕНДУЕТСЯ ПРОВОДИТЬ 1 РАЗ В 3 МЕСЯЦА. БЛАГОДАРЯ ПРОФОСМОТРАМ МОЖНО ИЗБЕЖАТЬ СЕРЬЕЗНЫХ ПОЛОМОК ПРИБОРА, СНИЗИВ ТЕМ САМЫМ ЗАТРАТЫ НА ЕГО ЭКСПЛУАТАЦИЮ.

### **ПРЕДУПРЕЖДЕНИЕ:**

ГАРАНТИЯ НЕ РАСПРОСТРАНЯЕТСЯ НА ВСЕ БЫСТРО ИЗНАШИВАЕМЫЕ ДЕТАЛИ (РЕЗИНОВЫЕ УПЛОТНЕНИЯ, ЛАМПОЧКИ, СТЕКЛЯННЫЕ И ПЛАСТИКОВЫЕ ЧАСТИ И Т.Д.) ГАРАНТИЯ ТАКЖЕ НЕ ПРЕДОСТАВЛЯЕТСЯ, ЕСЛИ УСТАНОВКА ПРИБОРА НЕ СООТВЕТСТВУЕТ УКАЗАНИЯМ, ПРИВЕДЕННЫМ В ДАННОМ РУКОВОДСТВЕ (Т.Е. УСТАНОВКУ ДОЛЖЕН ПРОВОДИТЬ РАБОТНИК, ИМЕЮЩИЙ КВАЛИФИКАЦИЮ СОГЛАСНО СООТВЕТСТВУЮЩИМ НОРМАМ), ЕСЛИ С ПРИБОРОМ ОБРАЩАЛИСЬ НЕПРОФЕССИОНАЛЬНО (ВМЕШАТЕЛЬСТВО ВО ВНУТРЕННЕЕ ОСНАЩЕНИЕ) ИЛИ ЕСЛИ ПРИБОР ОБСЛУЖИВАЛСЯ НЕОБУЧЕННЫМ ПЕРСОНАЛОМ, НЕ СОБЛЮДАЯ ПРИ ЭТОМ РУКОВОДСТВО ПО ЭКСПЛУАТАЦИИ, ГАРАНТИЯ ТАКЖЕ НЕ ПРЕДОСТАВЛЯЕТСЯ НА ПОВРЕЖДЕНИЯ, ВОЗНИКШИЕ В РЕЗУЛЬТАТЕ ПРИРОДНЫХ ЯВЛЕНИЙ ИЛИ ДРУГИХ ВЛИЯНИЙ ИЗ ВНЕ.

### **МЕРЫ В СЛУЧАЕ НЕИСПРАВНОСТИ:**

НЕМЕДЛЕННО ОТКЛЮЧИТЬ ПОДВОД ТОКА И НЕЗАМЕДЛИТЕЛЬНО ПРИГЛАСИТЬ СЕРВИСНУЮ ОРГАНИЗАЦИЮ, НИ В КОЕМ СЛУЧАЕ НЕ ПЫТАТЬСЯ КАКИМ-ЛИБО ОБРАЗОМ МАНИПУЛИРОВАТЬ С ПРИБОРОМ.

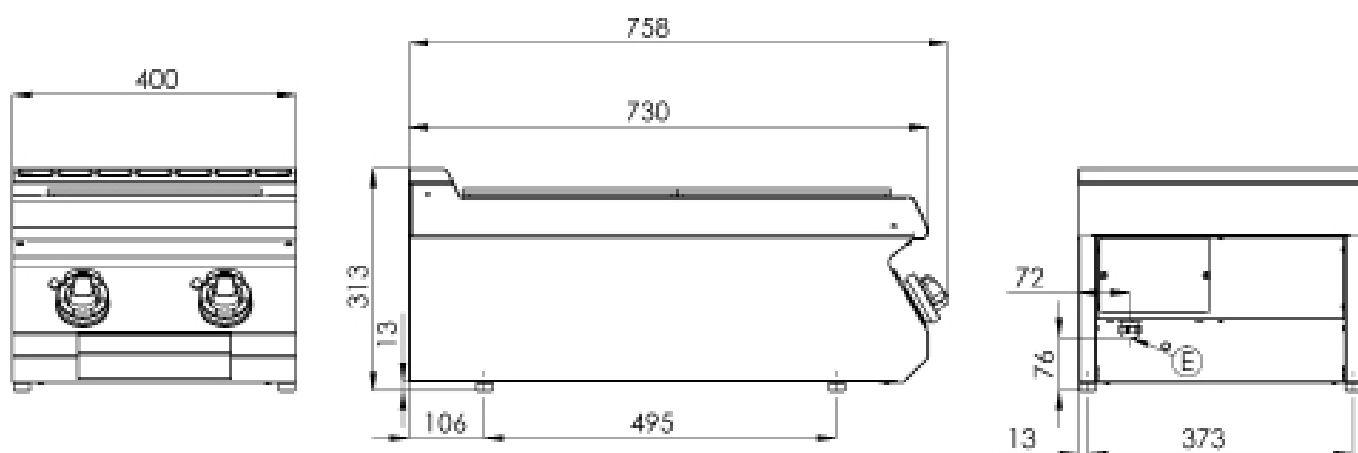
ИЗГОТОВИТЕЛЬ НЕ НЕСЕТ НИКАКОЙ ОТВЕТСТВЕННОСТИ ЗА ТРАВМЫ И УЩЕРБ, НАНЕСЕННЫЙ ИМУЩЕСТВУ, ВОЗНИКШИЕ ПО ПРИЧИНЕ НЕСОБЛЮДЕНИЯ ПРАВИЛ ТЕХНИКИ БЕЗОПАСНОСТИ ИЛИ ИСПОЛЬЗОВАНИЯ ПРИБОРА НЕ ПО НАЗНАЧЕНИЮ.

### **УКАЗАНИЯ ПО УТИЛИЗАЦИИ:**

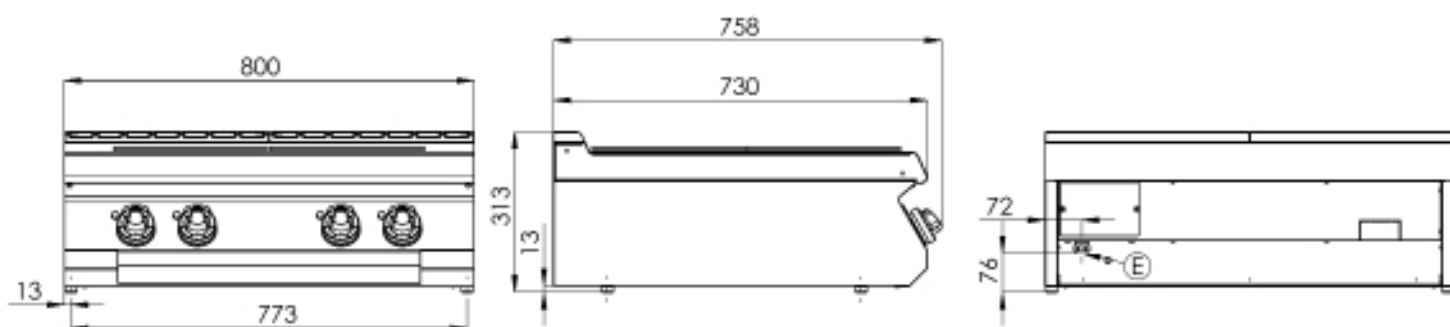
УПАКОВОЧНЫЕ МАТЕРИАЛЫ СЛЕДУЕТ УТИЛИЗИРОВАТЬ В СООТВЕТСТВИИ С ДЕЙСТВУЮЩИМ ЗАКОНОДАТЕЛЬСТВОМ. ОТСЛУЖИВШИЙ ПРИБОР ДОЛЖЕН БЫТЬ ТАКЖЕ ПРАВИЛЬНО УТИЛИЗИРОВАН. ДЛЯ ПОЛУЧЕНИЯ БОЛЕЕ ПОДРОБНОЙ ИНФОРМАЦИИ ПО ДАННОМУ ВОПРОСУ СВЯЖИТЕСЬ С ПРОДАВЦОМ ОБОРУДОВАНИЯ ИЛИ АВТОРИЗОВАННЫМ СЕРВИСОМ.

## РАЗМЕРЫ

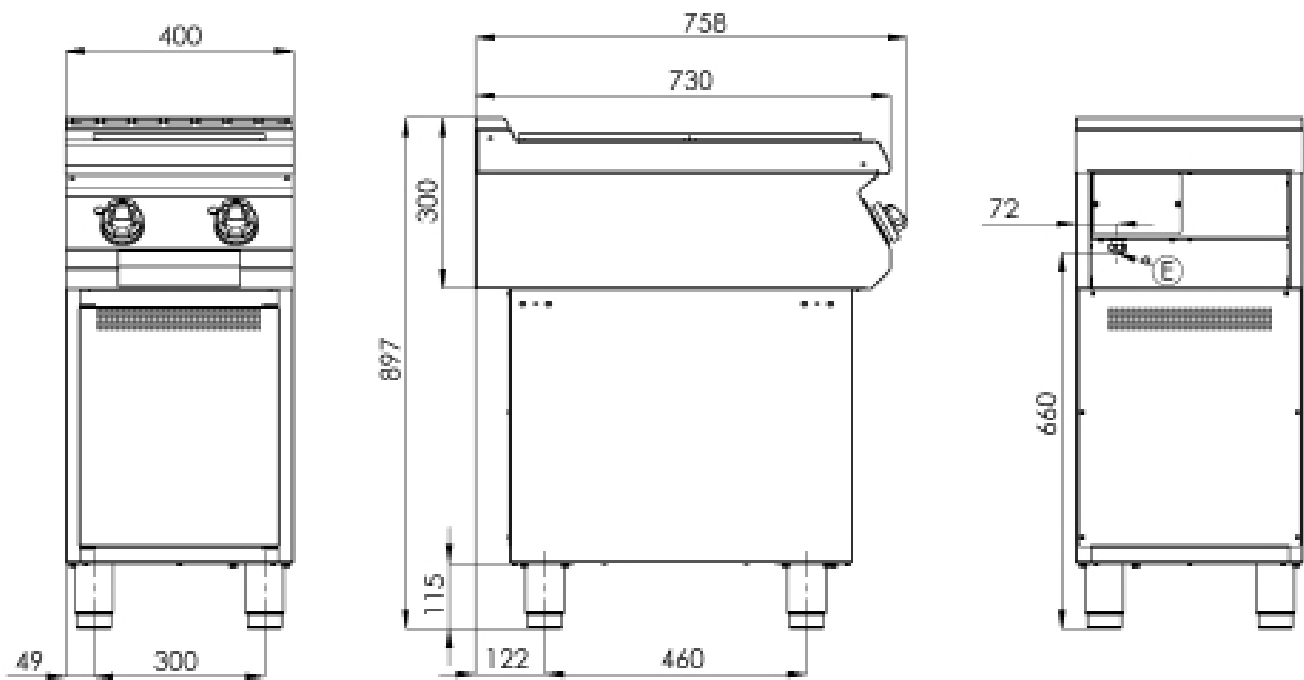
### SPL-704 E



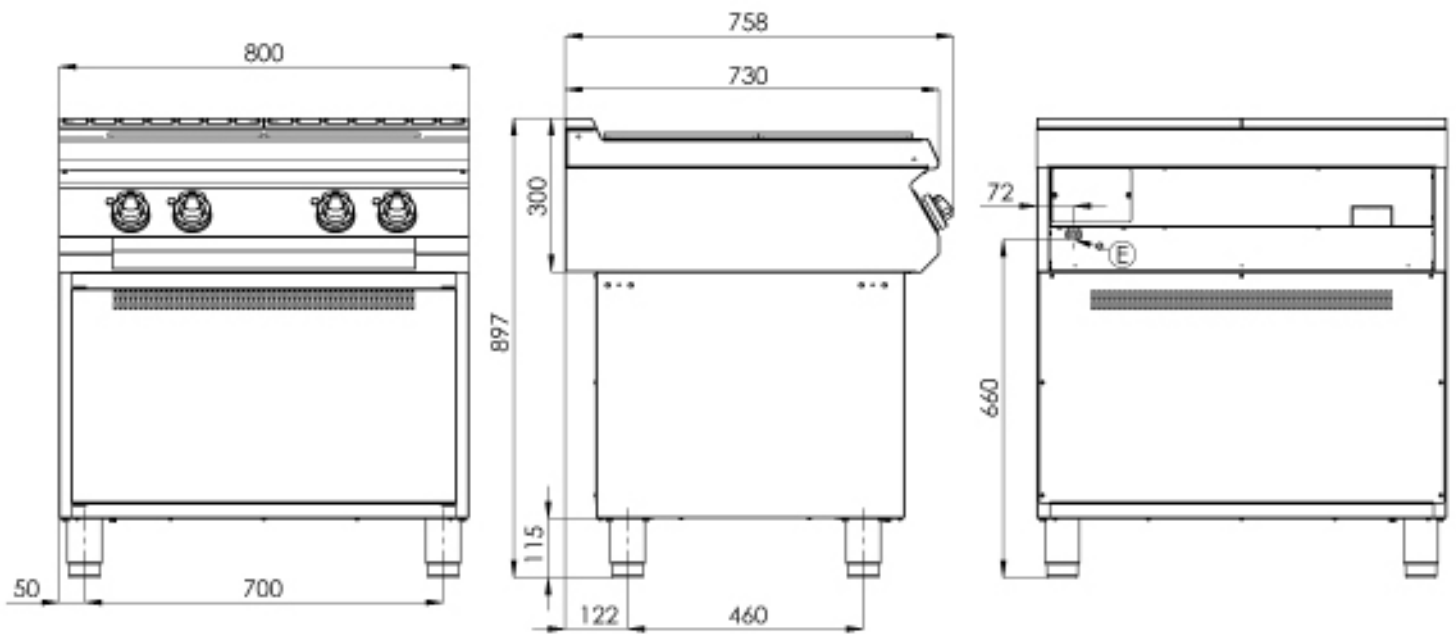
### SPL-708 E



## SPL-740 E



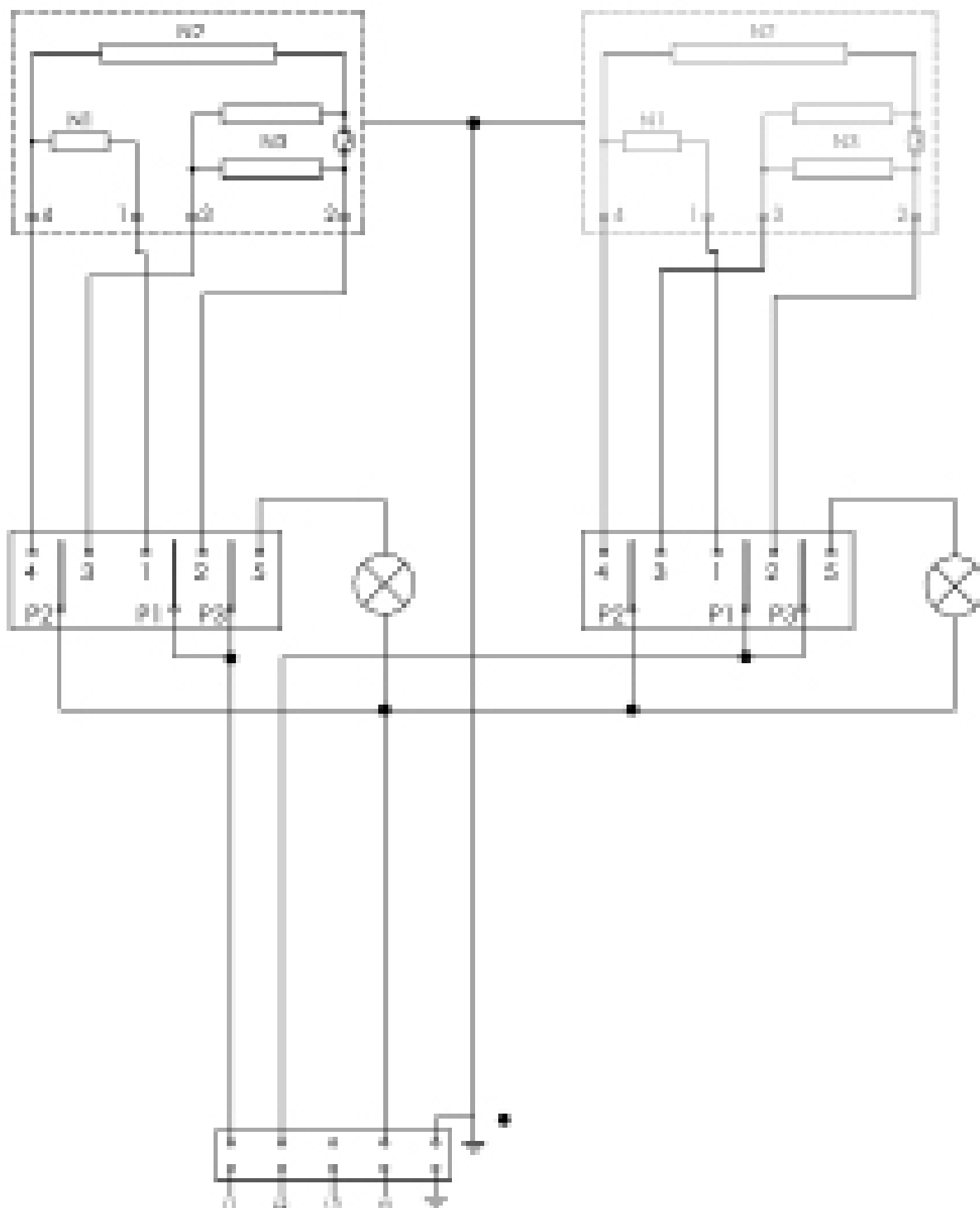
## SPL-780 E



# СХЕМА ПОДКЛЮЧЕНИЯ

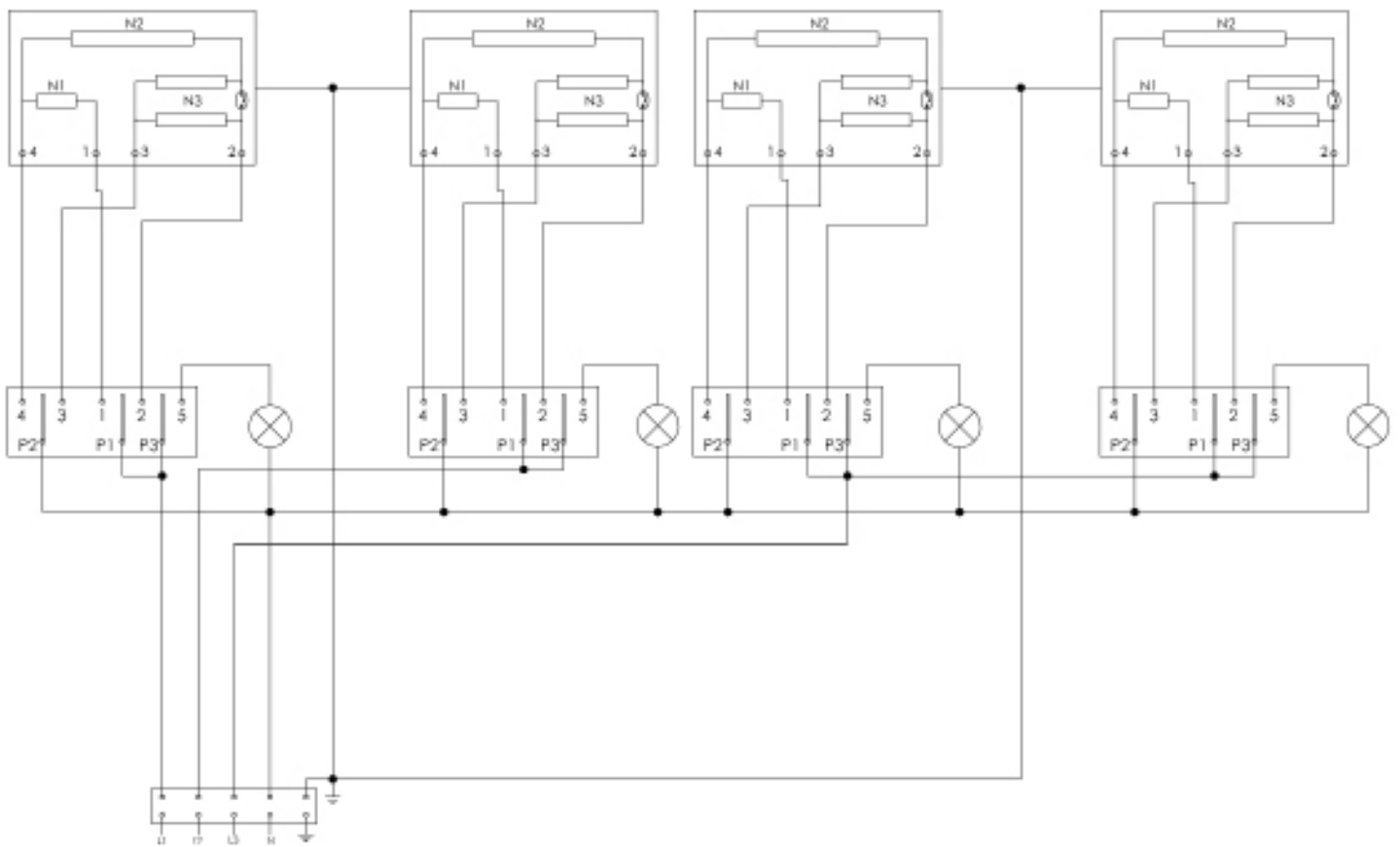
SPL-704 E

SPL-740 E



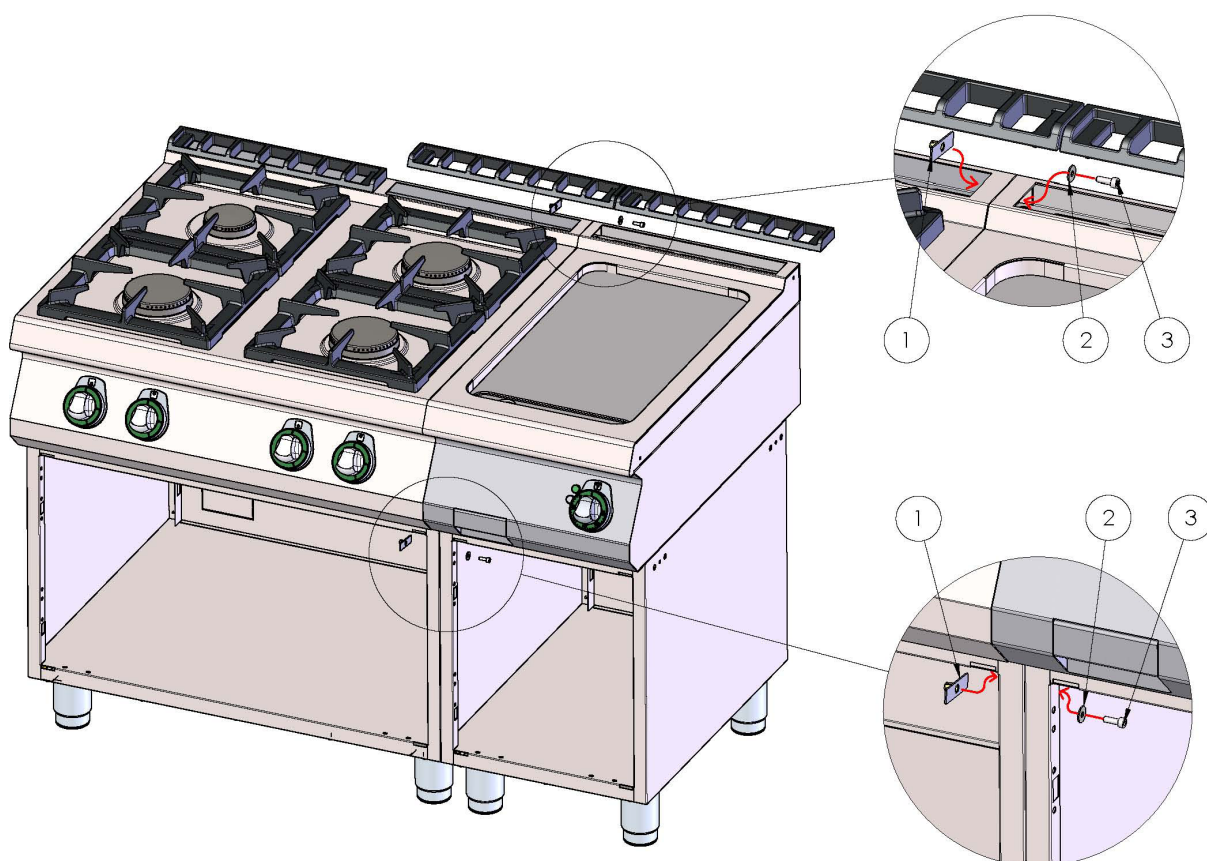
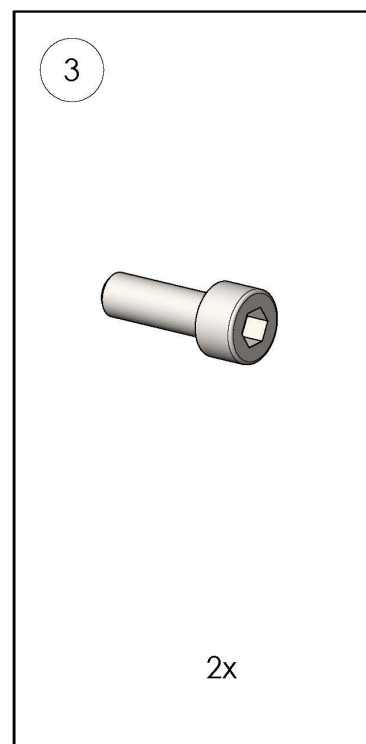
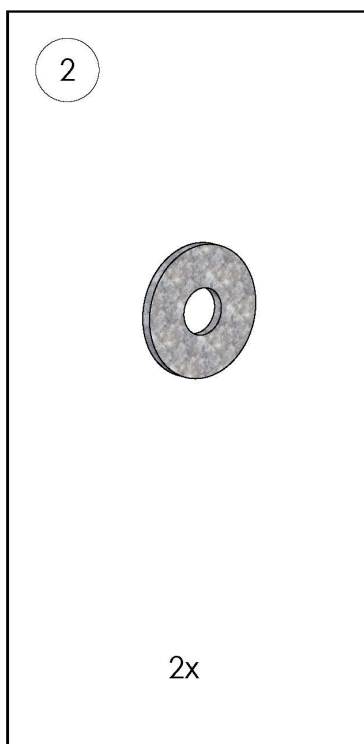
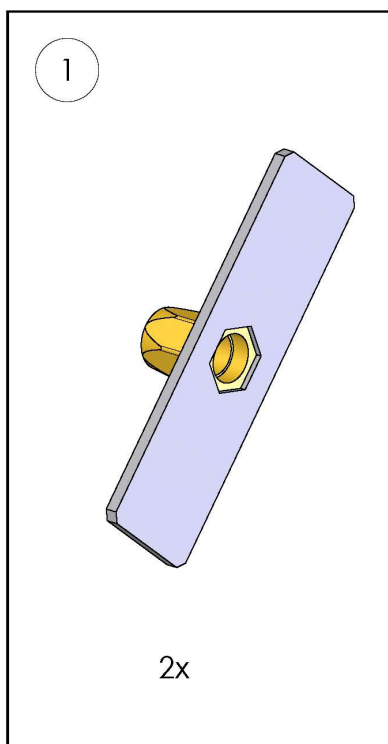
SPL-708 E

SPL-780 E





# МОНТАЖНАЯ СХЕМА



## List of service organizations:

**CZ: RM GASTRO CZ s. r. o.**, Náchodská 818/16, Praha 9

Tel. +420 281 926 604, [info@rmgastro.cz](mailto:info@rmgastro.cz), [www.rmgastro.cz](http://www.rmgastro.cz)

**SK: RM Gastro Slovakia**, Rybárska 1, Nové Město nad Váhom

Tel.: +421 32 7717061, [obchod@rmgastro.sk](mailto:obchod@rmgastro.sk), [www.rmgastro.sk](http://www.rmgastro.sk)

**PL: RM GASTRO Polska Sp. z o. o.**, ul. Skoczowska 94, 43-450 Ustroń

Tel.: +33 854 73 26, [www.rmgastro.pl](http://www.rmgastro.pl)